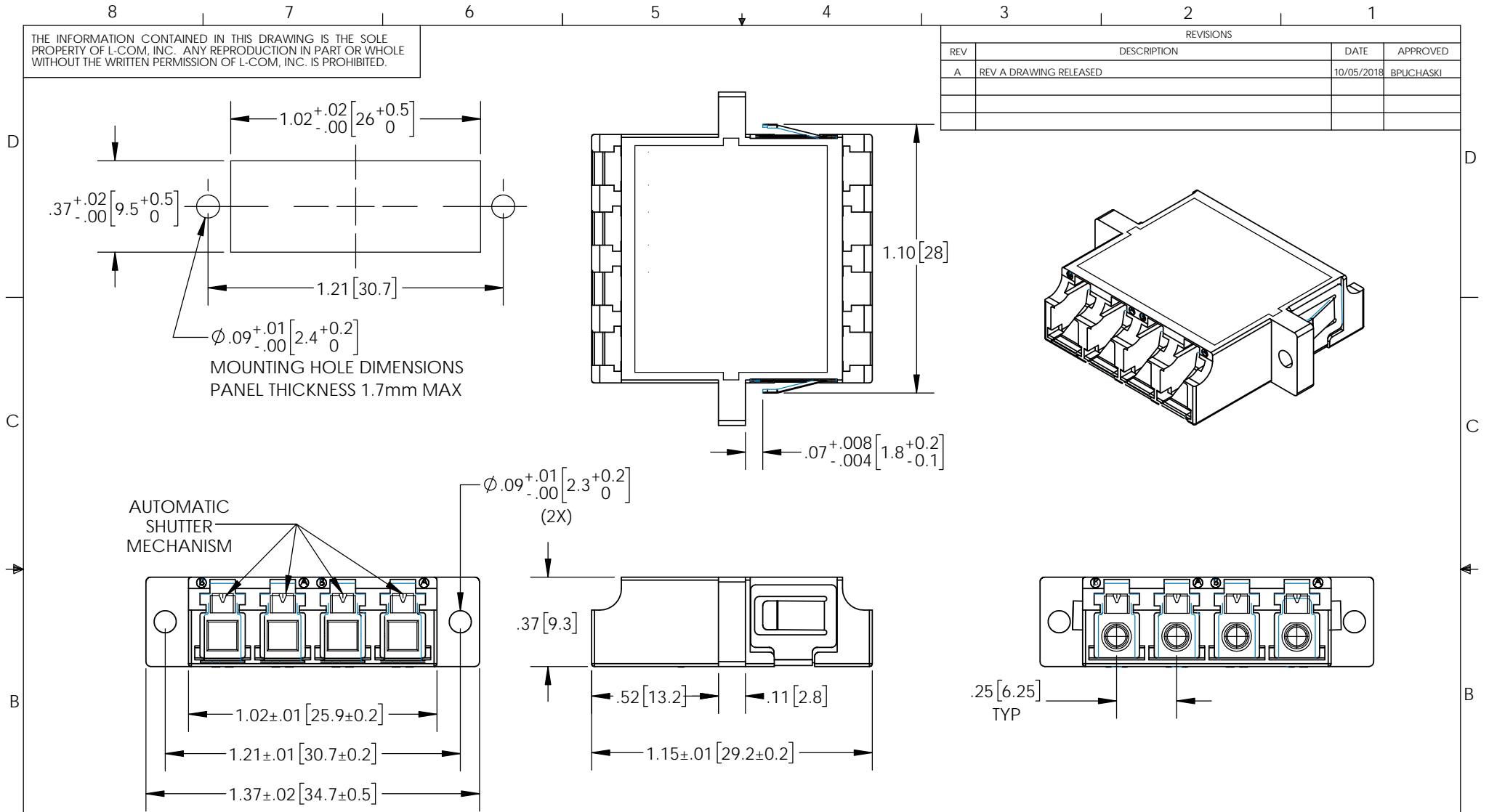


THE INFORMATION CONTAINED IN THIS DRAWING IS THE SOLE PROPERTY OF L-COM, INC. ANY REPRODUCTION IN PART OR WHOLE WITHOUT THE WRITTEN PERMISSION OF L-COM, INC. IS PROHIBITED.

REVISIONS			
REV	DESCRIPTION	DATE	APPROVED
A	REV A DRAWING RELEASED	10/05/2018	BPUCHASKI



NOTES:

MATERIALS:
 BODY: PBT (COLOR:BLUE)
 SLEEVE: ZR
 DUST CAP (4X): TPE (NOT SHOWN)

PACKAGING:
 COMPONENT SHALL BE PACKAGED IN ACCORDANCE WITH L-COM SPEC PS-0031

- ALL DIMENSIONS FOR REFERENCE-

REGULATORY COMPLIANCE:
 CE2011/65/EU(RoHS DIRECTIVE)

UNLESS OTHERWISE SPECIFIED, DIMENSIONS ARE IN INCHES [mm] DIMENSIONAL TOLERANCES: .X = ±.1 [2.54] .XX = ±.01 [0.25] .XXX = ±.005 [0.13] ANGULAR TOLERANCES: ALL = ± 1°	APPROVALS	DATE		50 HIGH STREET NORTH ANDOVER, MA 01845	
	DRAWN BY BPUCHASKI	10/03/2018			
	CHECKED BY DFRISIELLO	10/03/2018	CATEGORY	FIBER OPTICS	
	APPROVED BY DGUTTADAURO	10/03/2018	PRODUCT DESCRIPTION	LC CPLR QUAD SHUTTERED, ZR SLEEVE FLNG MNT	
PROJECTION 	COLOR VARIATIONS MAY OCCUR	SIZE A	FSCM NO. 43321	DWG. NO. FOA-806-BLU	REV. A
		SCALE: NONE	CAD FILE: FOA-806-BLU.SLDDRW		SHEET 1 OF 1