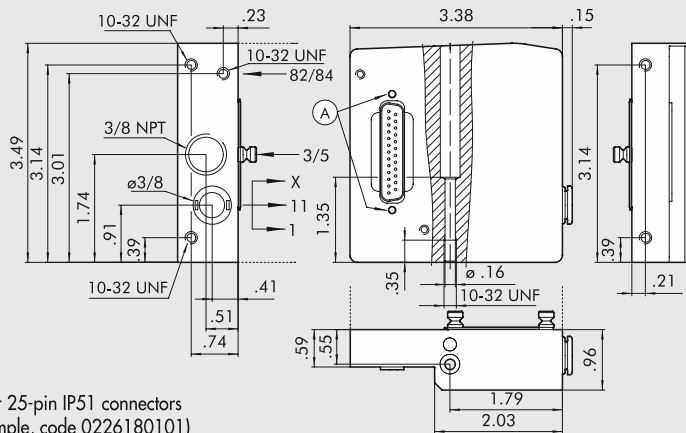


③ END-PLATE 1-25D



Ⓐ = Holes for 25-pin IP51 connectors
(for example, code 0226180101)

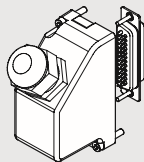
Code	Description	Weight [lb]
0227301201U	End-plate HDM 1-25D Ø 3/8	0.815

VALVES

HDM + MULTI-POLE CONNECTION

ACCESSORIES

⑭ 45° CONNECTOR KIT, 25 WIRES IP65



Code	Description	Weight [lb]
0226180107	45° connector kit, 25 wires IP 65	0.143

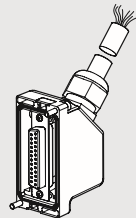
CABLES



Code	Description	Weight [lb]
0226107201	10-wire cable	0.190
0226107101	19-wire cable	0.269
0226107102	25-wire cable	0.287

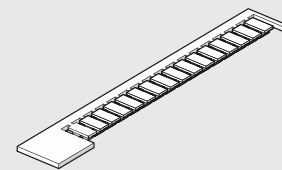
Specify the number of inch desired.

PRE-WIRED 45° CONNECTOR KIT, 25 WIRES IP65



Code	Description	Weight [lb]
0226960100	Connector IP 65 + 25-wire 45° cable L = 35 inch	0.418
0226960250	Connector IP 65 + 25-wire 45° cable L = 99 inch	0.860
0226960500	Connector IP 65 + 25-wire 45° cable L = 197 inch	1.631

IDENTIFICATION PLATE KIT



Code	Description
0226107000	Identification plate kit

Comes in 16-pc. packs

WIRING DIAGRAM FOR PRE-WIRED PLUG CONNECTOR

25 PIN

Position of electrical contact	Colour of the corresponding wire	Position of electrical contact	Colour of the corresponding wire	Position of electrical contact	Colour of the corresponding wire
1	blue/black	11	red/orange	21	blue/white
2	red/brown	12	light blue	22	brown
3	white/black	13	yellow/white	23	green/white
4	red/blue	14	yellow	24	red
5	black/orange	15	red/green	25	green/black
6	yellow/red	16	orange		
7	black/brown	17	orange/white		
8	white/red	18	green		
9	red/black	19	yellow/black		
10	brown/white	20	white		