

Web site: www.marinco.com

Phone: 800-307-6702

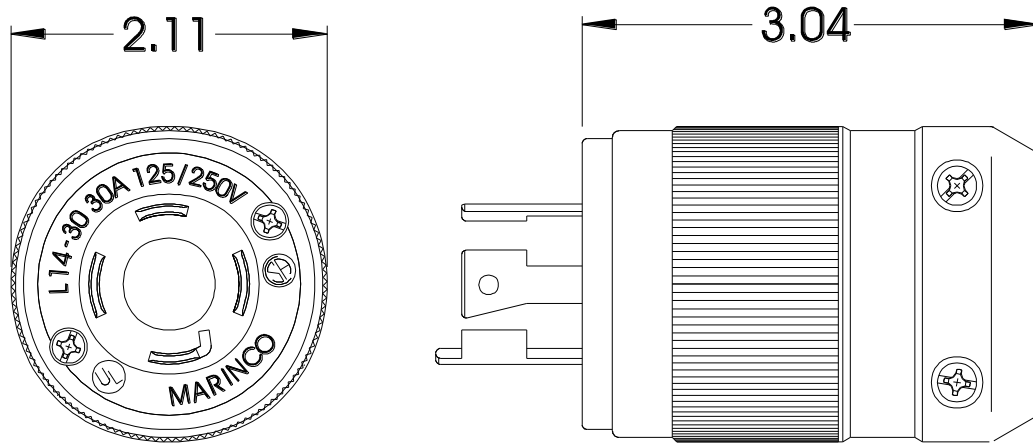
Date: July, 2011 Rev: 01

Plug, Locking
30A, 125/250V
3-Pole, 4-Wire

Catalog Number: 3014P

- Item: Plug, locking.
- Rating: 30 amperes, 125/250 volts
- Configuration: NEMA L14-30P
- Materials: Housing and plug body are nylon with CTI greater than 600 volts.
- Terminals: Terminals are clamp-type, with color-coded brass terminal screws, 10-32.
- Blades: All blades are solid brass 0.070" thick.
- Cord Clamp: Internal, with removable insert to accommodate cable from .465" (12/4 SJ) through 1.050" (8/4 S).
- Overall Design: Two assembly screws, U-drive style.
All screws are combination slot/cross head.
Dust seal at cord entry.
Beveled housing.
- Certifications: UL listed, File E57672
CSA certified, File LR81290

Dimensions:



Dimensions shown in inches