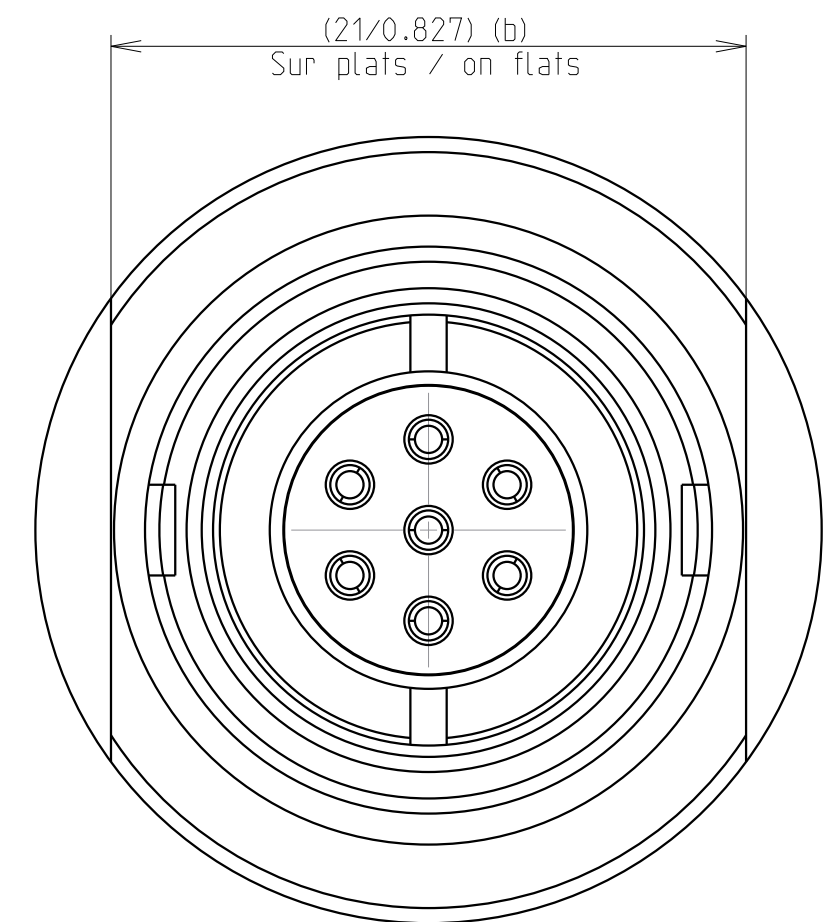
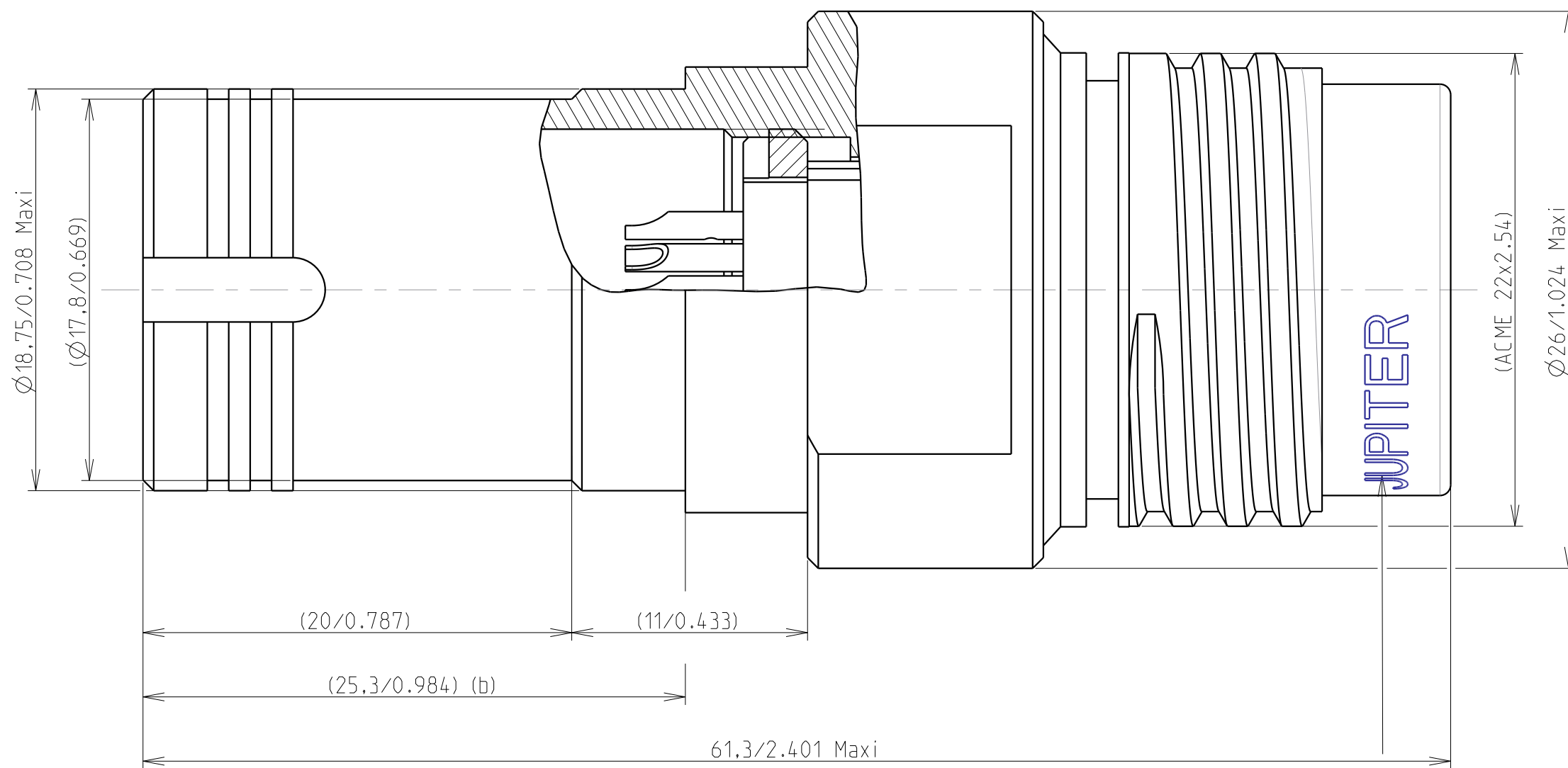
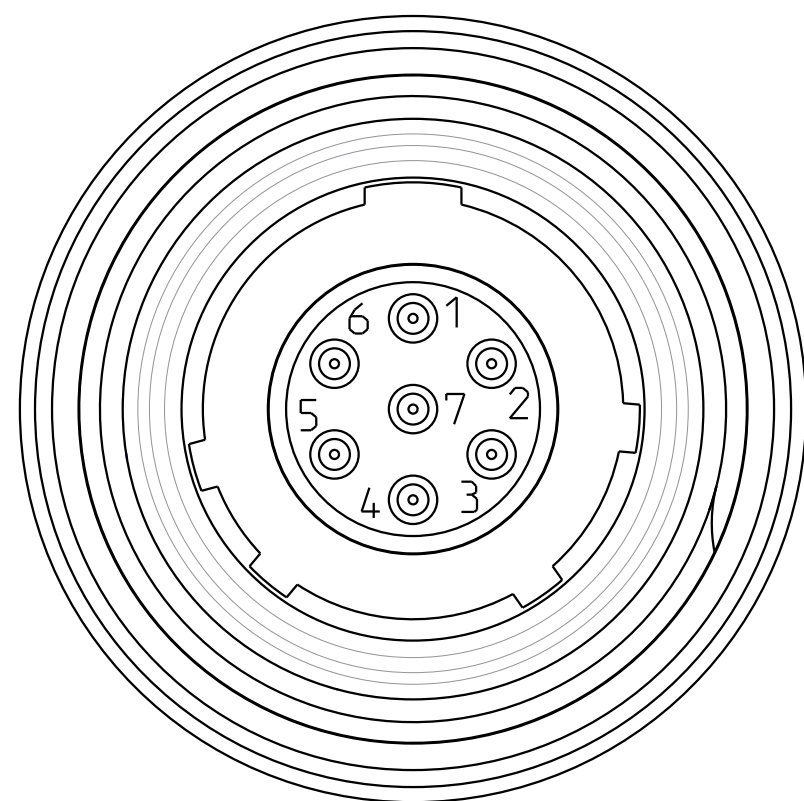


B.2: D développement

| | |
|---------|-----------------------------|
| Country | Jurisdiction & Control List |
| FR | NOT LISTED |

| | |
|--|--------------------|
| | critical dimension |
| | major dimension |



MARQUAGE/MARKING

**** JUPITER FR PCE10PLY
 SEMAINE/WEEK
 ANNEE/YEAR

Nota :
 Isolant emballé non monté

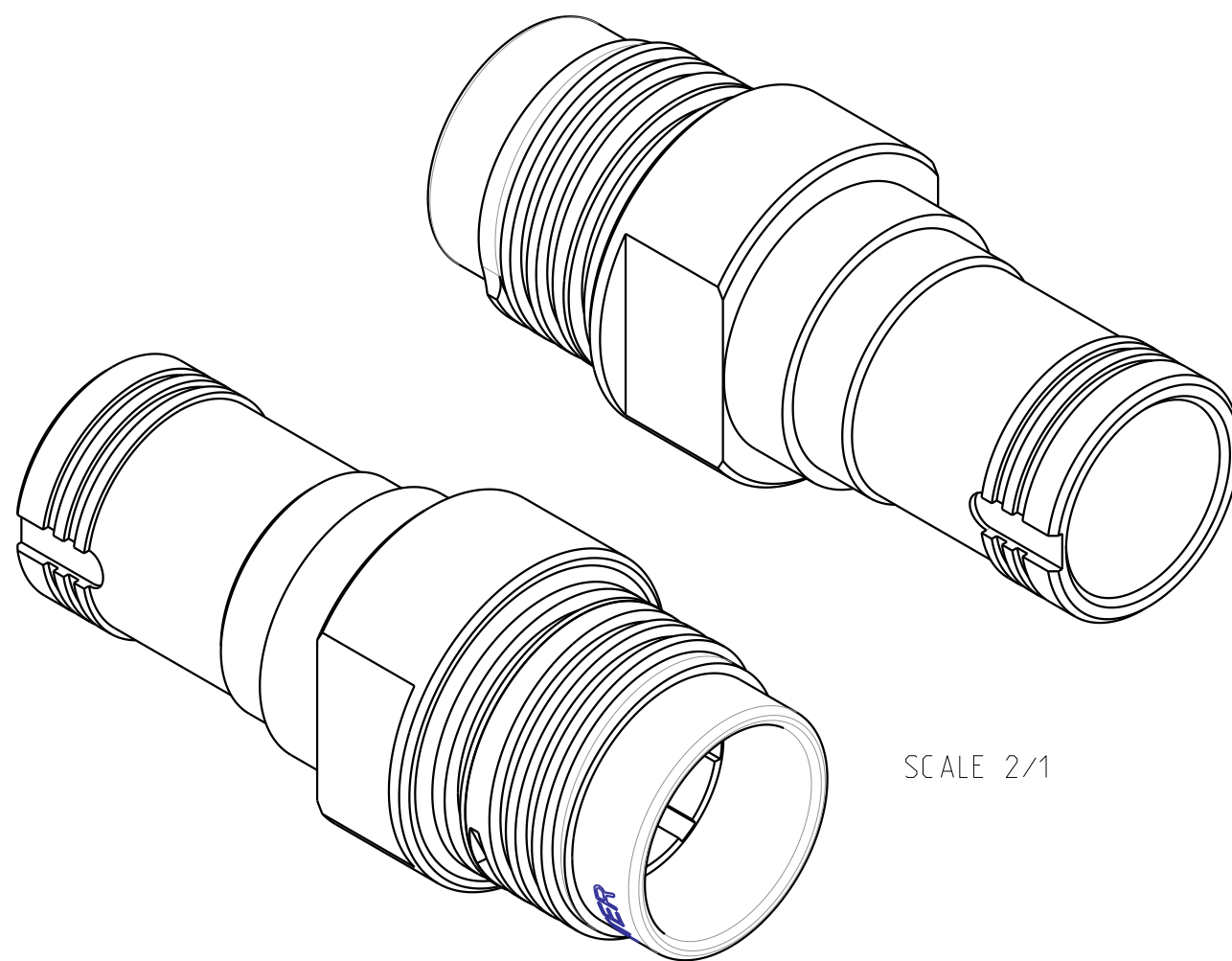
**REFERENCE COMMERCIALE
 PART NUMBER**

PCEM10PLN0720SAY

TYPE DE CONTACT/CONTACT TYPE
 M:MALE/PIN F:FEMELLE/SOCKET

MATIERE DE L'ISOLANT/INSERT MATERIAL
 N:PA6/6+MOS2(NYLATRON) T:PTFE(TEFLON)

ARRANGEMENT DES CONTACTS/CONTACT LAYOUTS
 VOIR ST1-PL54-0001/SEE ST1-PL54-0001



| | | | | | |
|--|---|--|---|--------------------|--------------|
| B | 23/04/18 | Modification of flats + add of retaining | S.Yakoubi | MEFFRE | DIFF |
| A | 28/02/18 | Initial drawing | S.Yakoubi | MEFFRE | DIFF |
| Iss | Date | MODIFICATIONS | A C Naf. | Designed by | Checked by |
| MATERIAL -- | | | TREATMENT | PROTECTION/PLATING | |
| -- | | | -- | -- | |
| -- | | | -- | CODE | -- |
| DIMENSIONS ARE DEFINED BEFORE PLATING | | | | | |
| TITLE | PROLONGATEUR PCE SAY/ IN-LINE RECEPTACLE SAY TYPE | | | | PROJECT |
| | SERIE PL - TAILLE 10 | | | | PL54 |
| Material Reference Voir Référence Commerciale / See Part Number | | | | | |
| | Generales tolerances ISO 2768 | | SOURIAU | | |
| Scale 4/1 | General machining | Surface texture | SOURIAU 3. RUE DU VALLON ZAC N°2 94440 MAROLLES-EN-BRIE (FRANCE) TEL. 33 (0)1 45 10 78 00 | | |
| Geometrical Tolerances: NF EN ISO 1101 | | | FORMAT | SOURIAU DRG N° | Iss |
| This document is the property of SOURIAU it must not be reproduced or communicated without permission. | | | A2 | 542P0030A9C | B |
| | | | | | SHEET 1/1 |