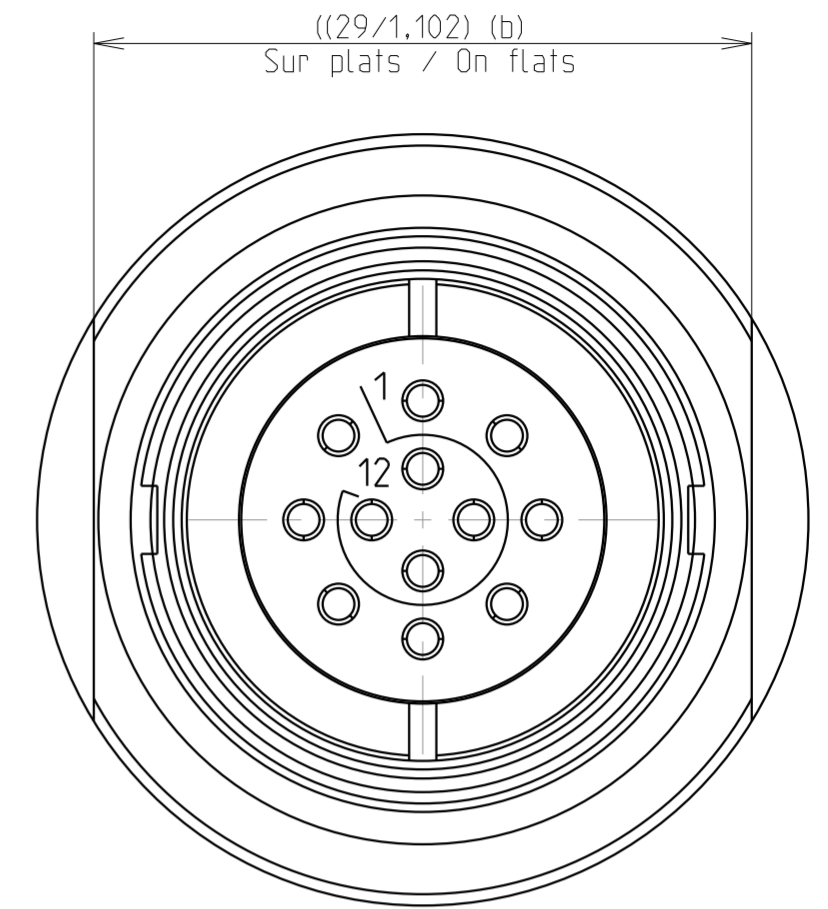
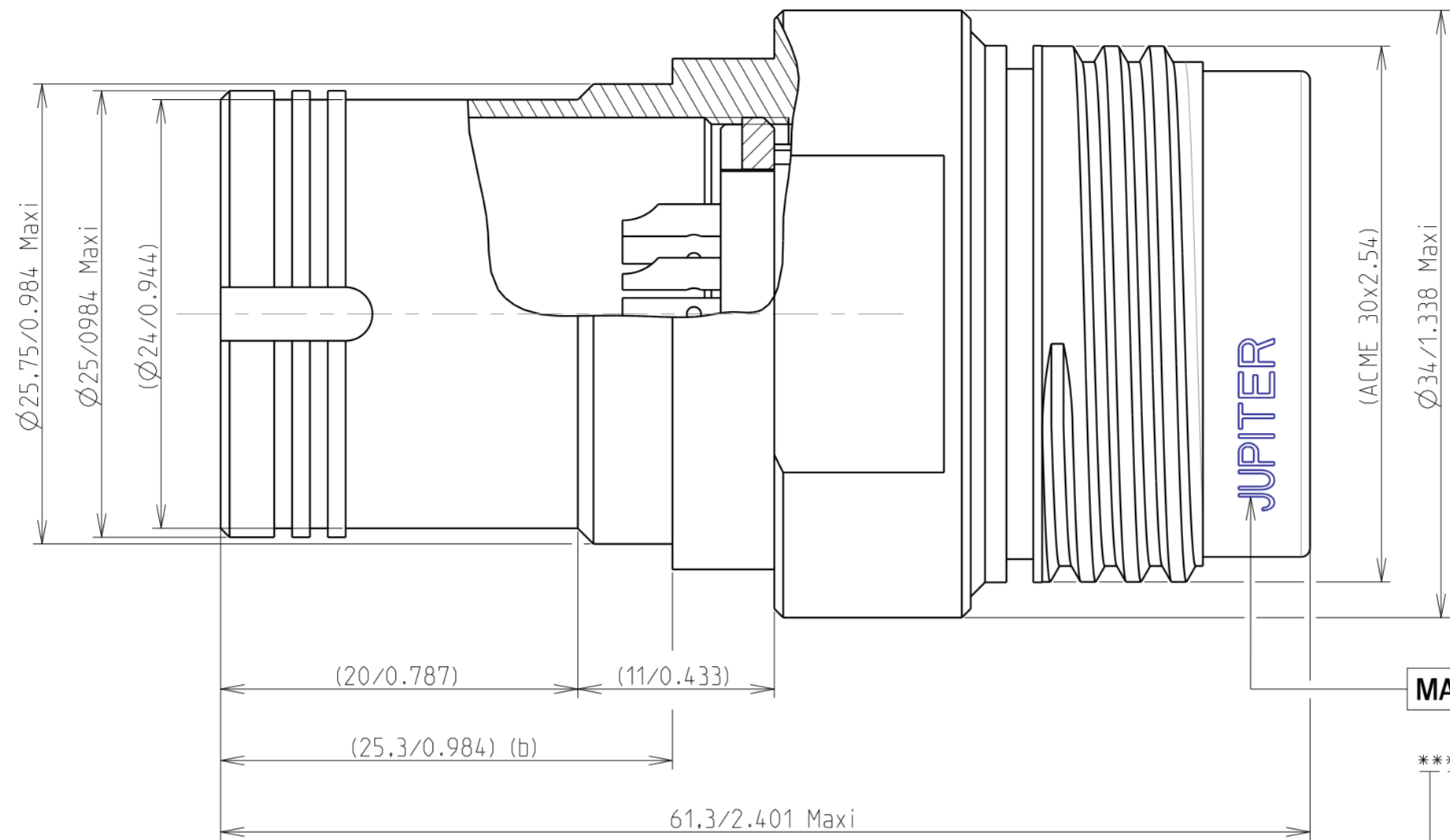
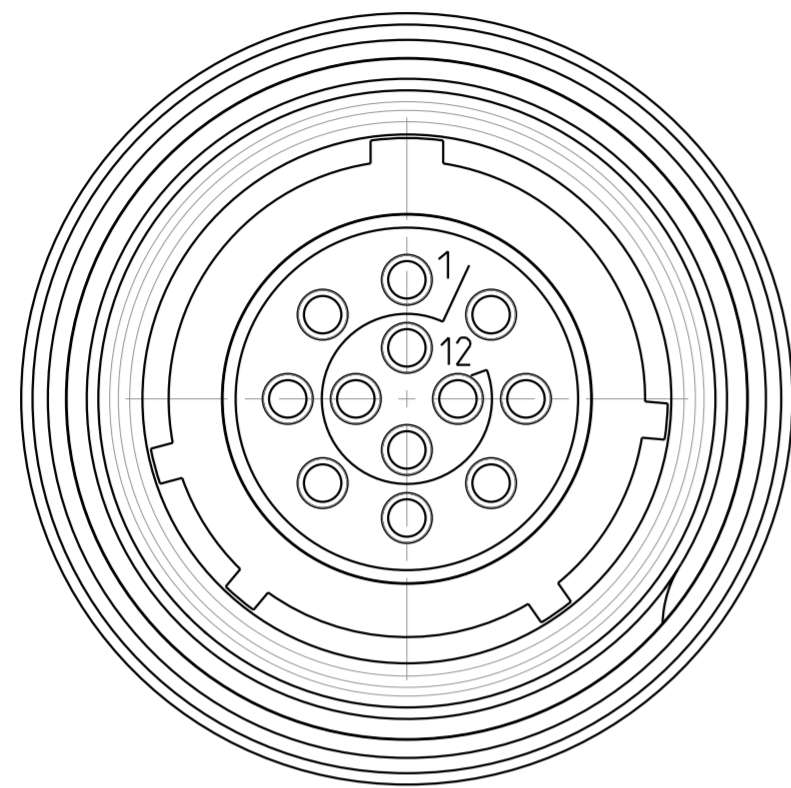


B.2: D développement

Country	Jurisdiction & Control List
FR	NOT LISTED

	critical dimension
	major dimension

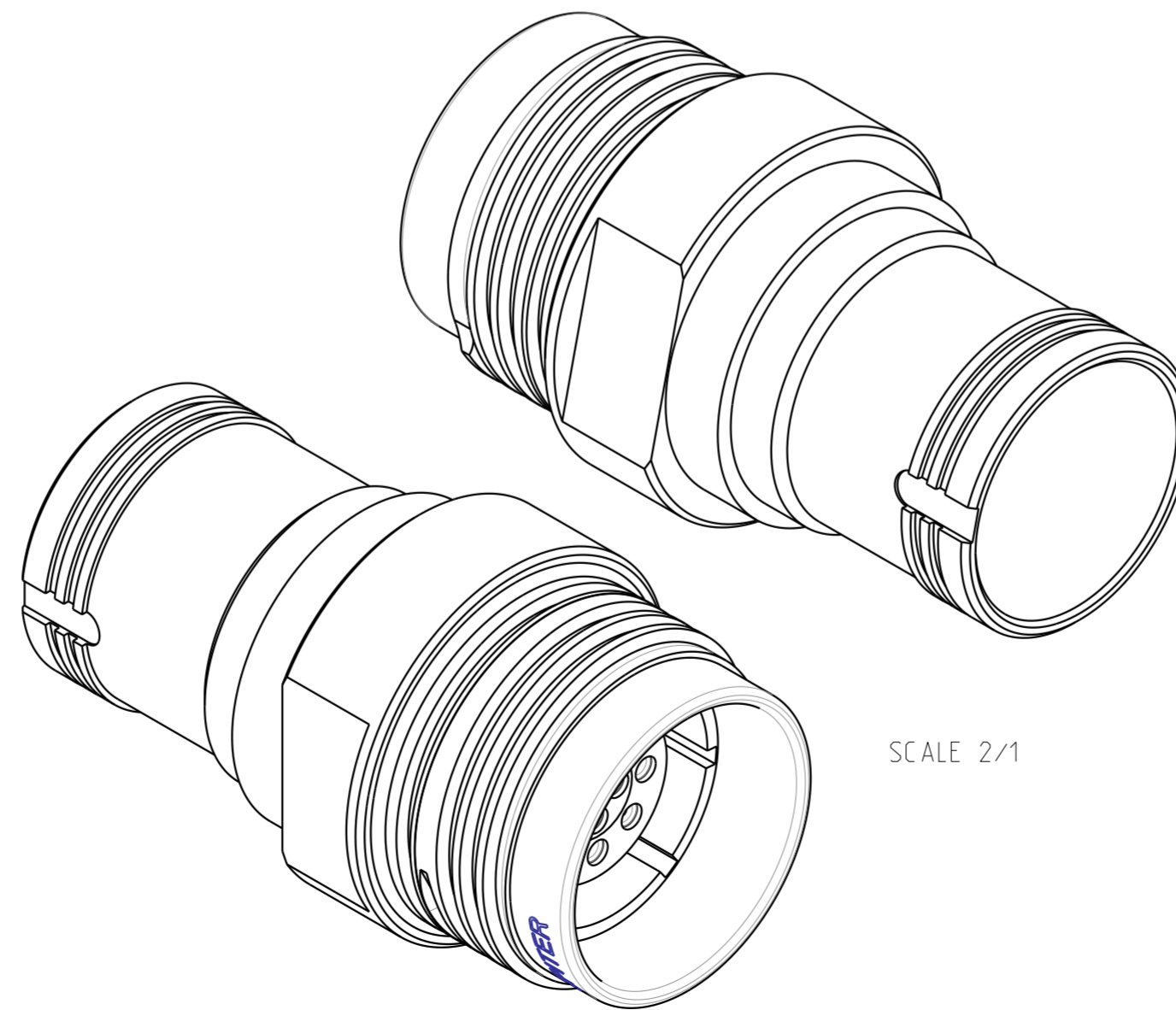


**MARQUAGE/MARKING**

\*\*\*\* JUPITER FR PCE14PLY  
 — SEMAINE / WEEK  
 — ANNEE / YEAR

**REFERENCE COMMERCIALE  
 PART NUMBER**  
 PCEM14PLN1216SAY

TYPE DE CONTACT/CONTACT TYPE  
 M:MALE/PIN F:FEMELLE/SOCKET  
 MATIERE DE L'ISOLANT/INSERT MATERIAL  
 N:PA6/6-MOS2(NYLATRON) T:PTFE(TEFLON)  
 ARRANGEMENT DES CONTACTS/CONTACT LAYOUTS  
 VOIR ST1-PL54-0001/SEE ST1-PL54-0001



SCALE 2/1

Nota :  
 Isolant emballé non monté

B	25/04/18	Modification of flats + add of retaining		SYakoubi	MEFFRE	DIFF
A	28/02/17	Initial drawing		SYakoubi	MEFFRE	DIFF
Iss	Date	MODIFICATIONS	A C	Designed by	Checked by	MOD N°
			Naf.			
MATERIAL --			TREATMENT		PROTECTION/PLATING	
--			--		--	
--			--		CODE --	
DIMENSIONS ARE DEFINED BEFORE PLATING						
TITLE					PROJECT	
PROLONGATEUR PCE SA / IN-LINE RECEPTACLE SA TYPE					PL54	
SERIE PL - TAILLE 14						
Material Reference Voir Référence Commerciale / See Part Number						
Generales tolerances ISO 2768			 <b>SOURIAU</b> 3. RUE DU VALLON ZAC N°2 94440 MAROLLES-EN-BRIE (FRANCE) TEL. 33 (0)1 45 10 78 00			
Scale 3/1 General machining Surface texture						
Geometrical Tolerances: NF EN ISO 1101			FORMAT	SOURIAU DRG N°	Iss	SHEET
This document is the property of SOURIAU it must not be reproduced or communicated without permission.			A2	<b>543P0030A9C</b>	<b>B</b>	1/1