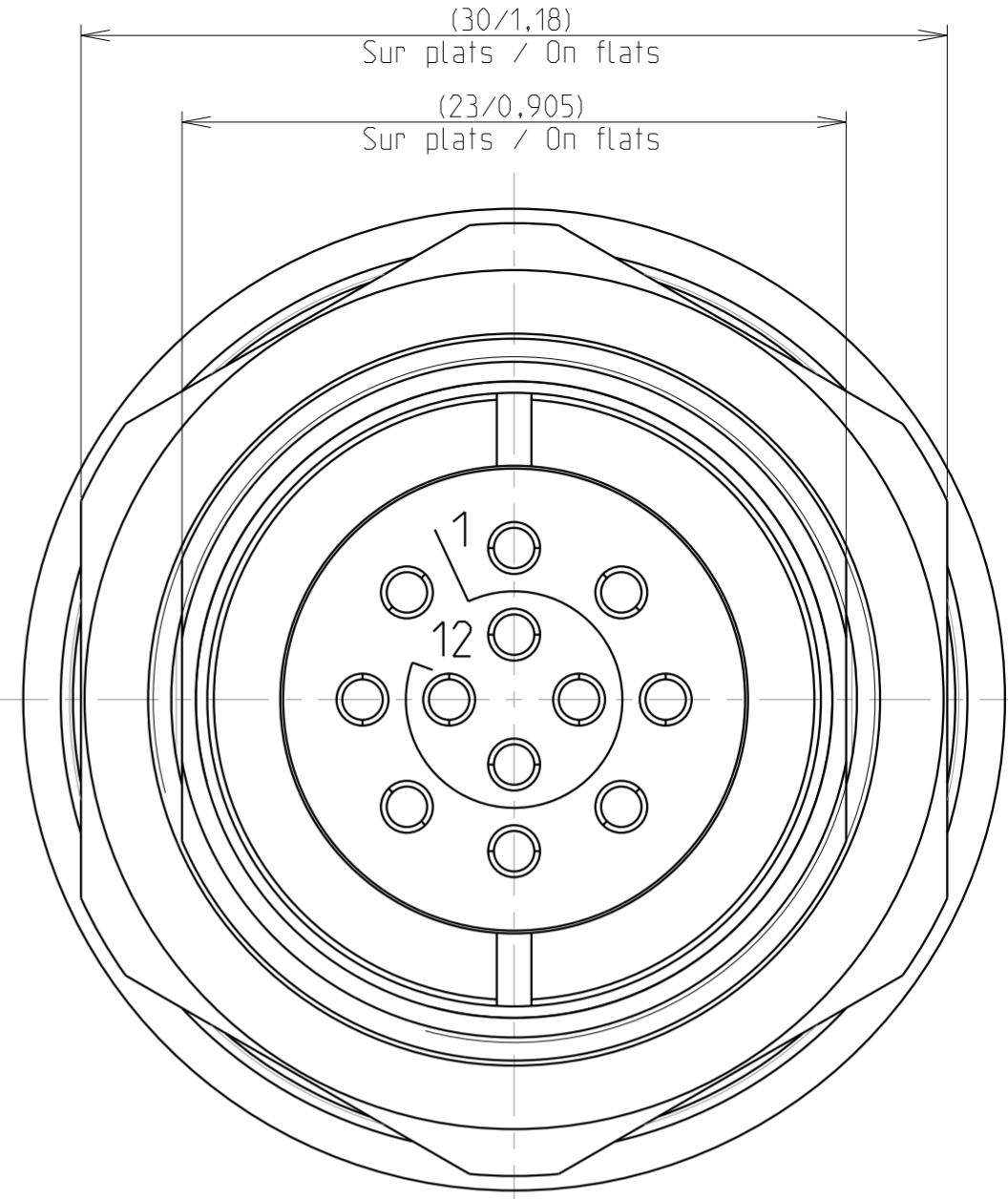
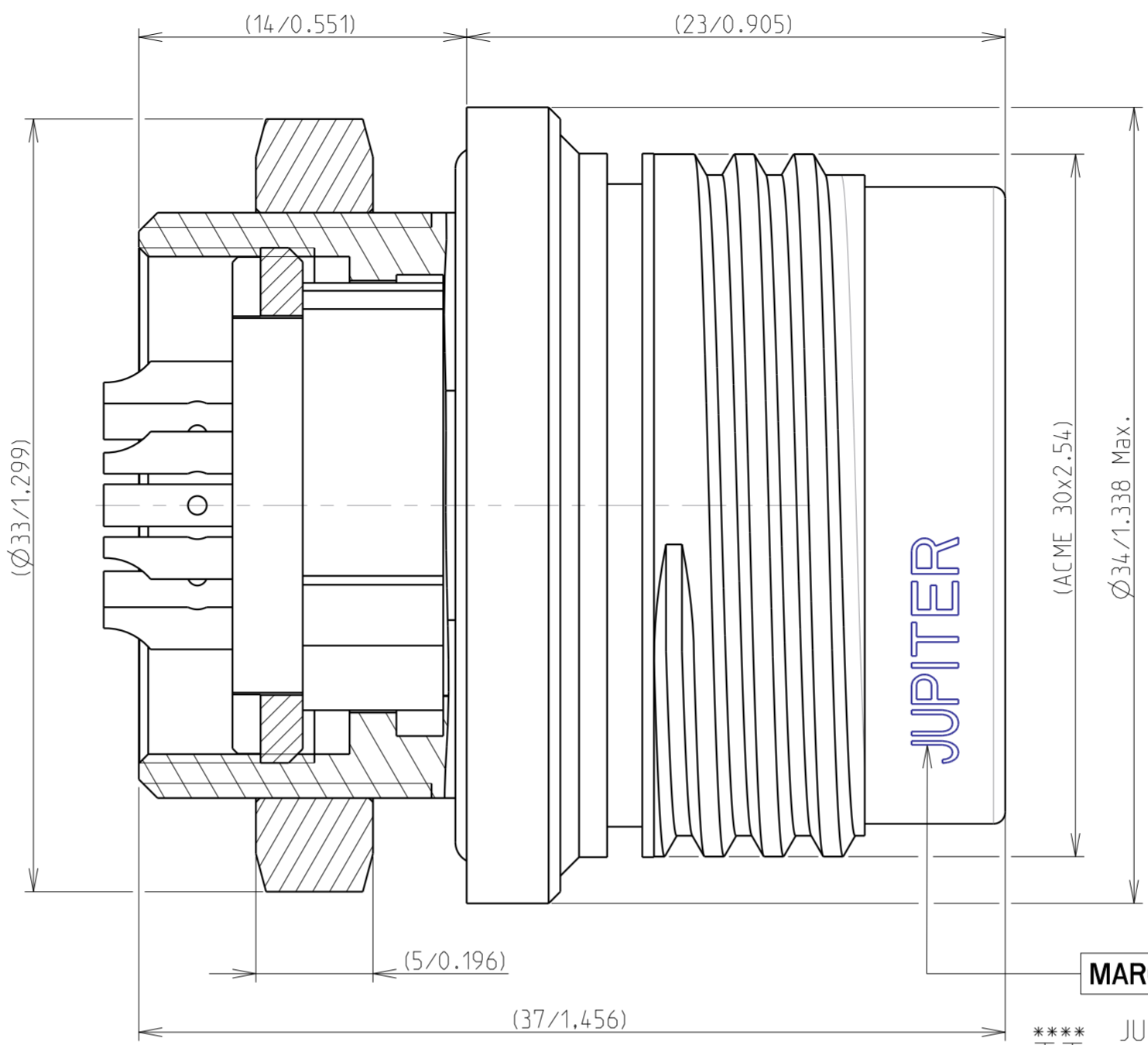
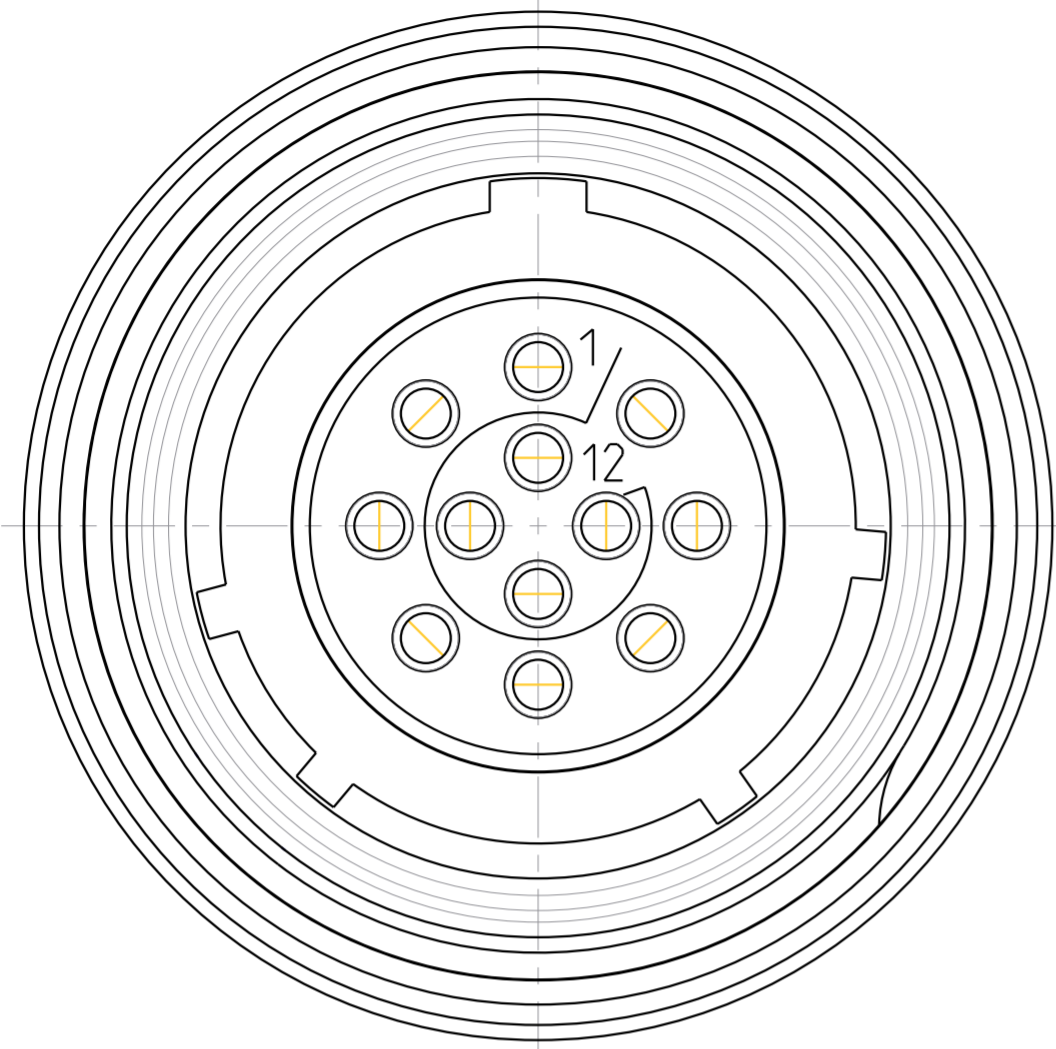


Country	Jurisdiction & Control List
FR	NOT LISTED

	critical dimension
	major dimension



N1 : SERRAGE SUR PANNEAU COUPLE 5.5 N.m
TIGHTENING ON PANEL TORQUE 5.5 N.m

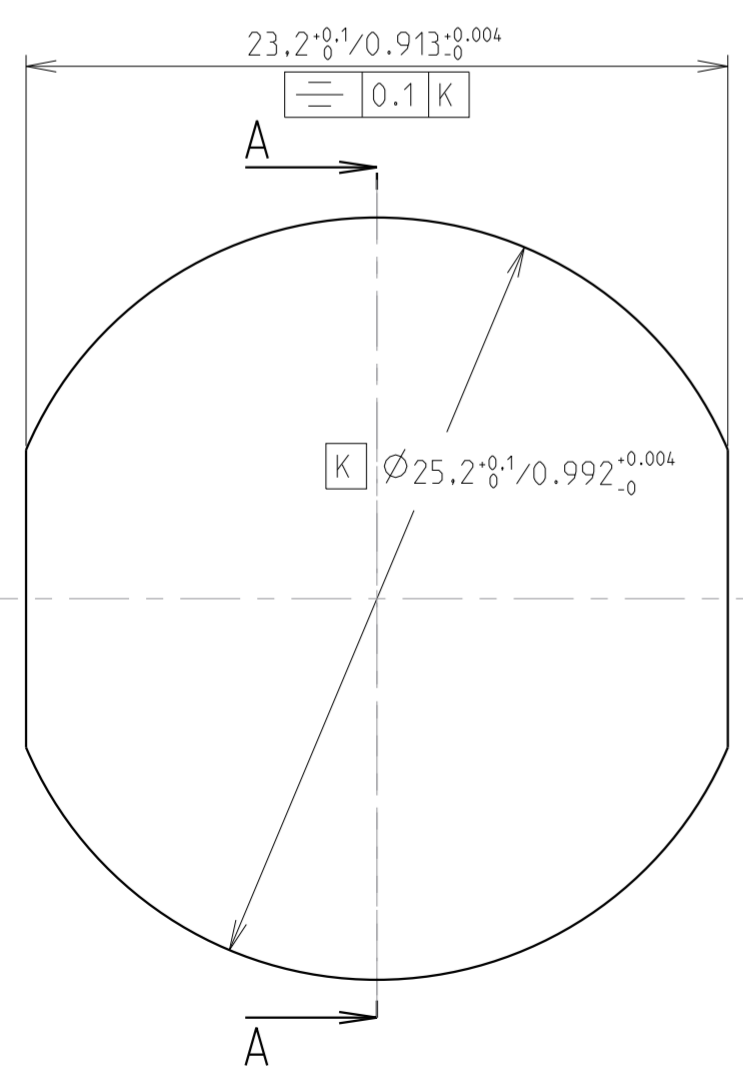
MARQUAGE/MARKING

**** JUPITER FR RER14PL
 SEMAINE/WEEK
 ANNEE/YEAR

**REFERENCE COMMERCIALE
PART NUMBER**

RERF14PLN1216Y

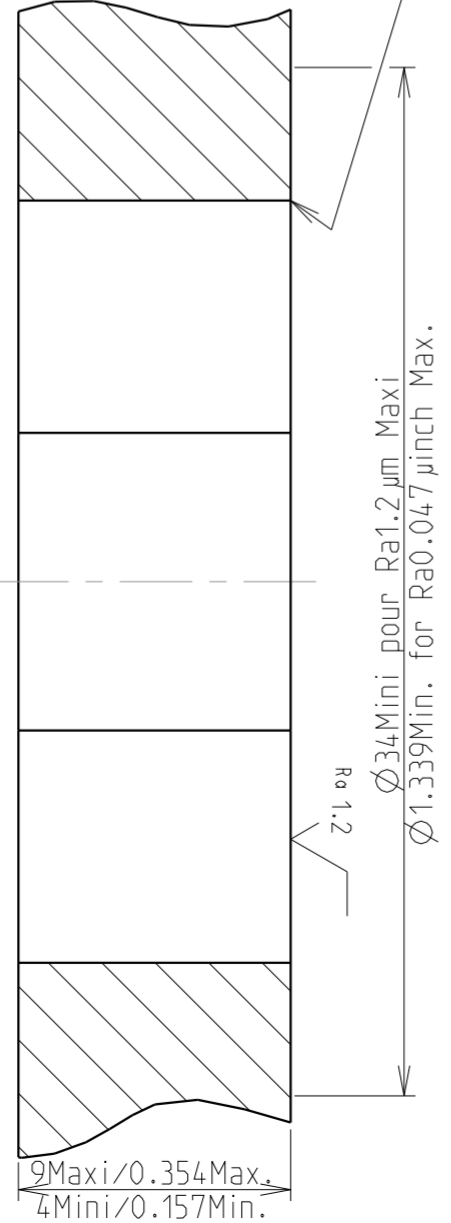
TYPE DE CONTACT/CONTACT TYPE
 M:MALE/PIN F:FEMELLE/SOCKET
 MATIERE DE L'ISOLANT/INSERT MATERIAL
 N:PA6/6+MOS2(NYLATRON) T:PTFE(TEFLON)
 ARRANGEMENT DES CONTACTS/CONTACT LAYOUTS
 VOIR ST1-PL54-0001/SEE ST1-PL54-0001



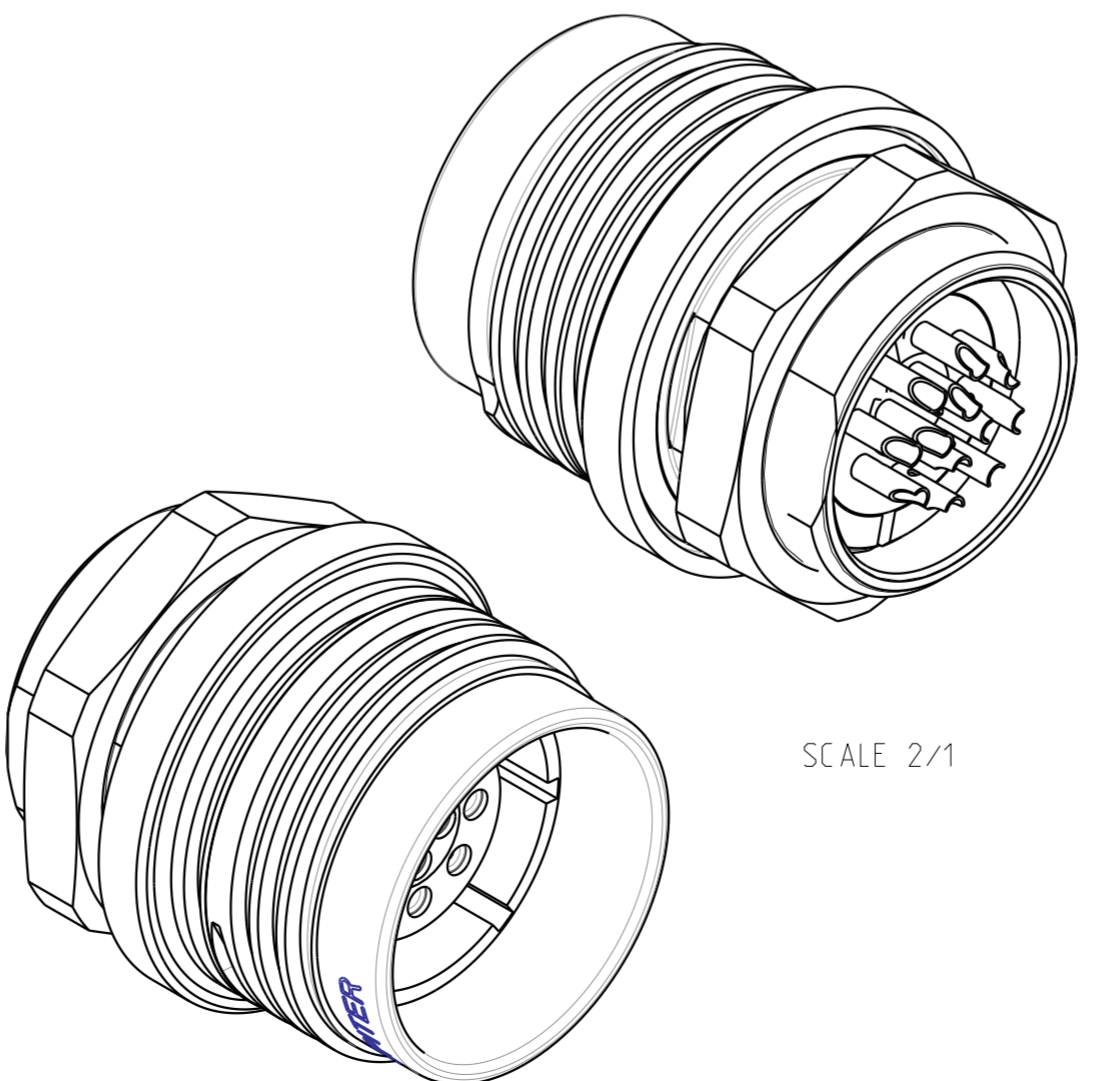
DECOUPE DU PANNEAU
PANEL CUT OUT

SCALE 4/1

CUT A-A



Cassage d'angle 0.2 Maxi
Breaking edge 0.008in Max.



SCALE 2/1

A	08/07/16	Initial drawing			ORAIN	MEFFRE	DIFF
Iss	Date	MODIFICATIONS	A C	Designed by	Checked by	MOD N°	
			Naf.				
MATERIAL --			TREATMENT		PROTECTION/PLATING		
--			--		--		
--			--		CODE --		
DIMENSIONS ARE DEFINED BEFORE PLATING							
TITLE		EMBASE RER / RECEPTACLE RER				PROJECT	
		SERIE PL - TAILLE 14 (CONTACTS A SOUDER / SOLDER CONTACTS)				PL54	
Material Reference Voir Référence Commerciale / See Part Number							
Generales tolerances ISO 2768			SOURIAU				
Scale 4/1 General machining Surface texture			3. RUE DU VALLON ZAC N°2 94440 MAROLLES-EN-BRIE (FRANCE) TEL. 33 (0)1 45 10 78 00				
Geometrical Tolerances: NF EN ISO 1101 This document is the property of SOURIAU it must not be reproduced or communicated without permission.			FORMAT	SOURIAU DRG N°		Iss	SHEET
			A2	543E0030A9C		A	1/1