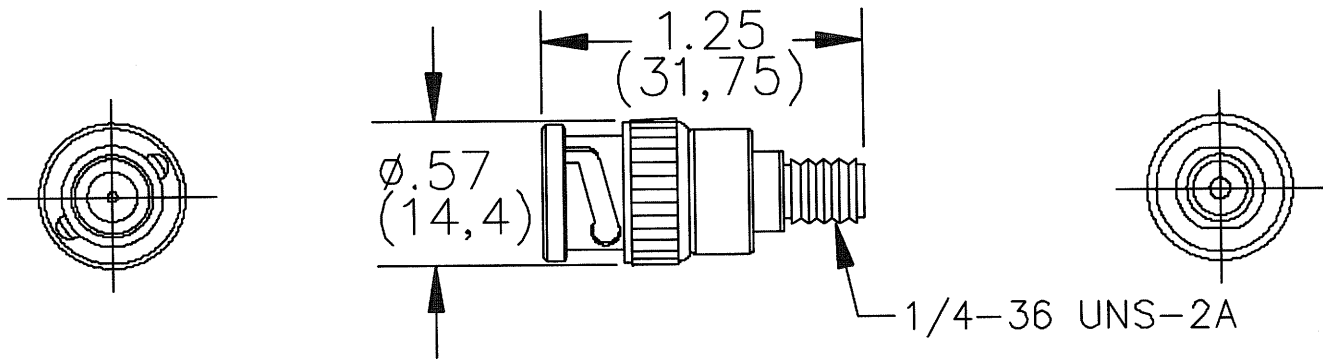


MUELLER®

MODEL: BU-P4289-NS
Adapter BNC Male to SMA Female



MATERIALS:

Body – Nickel Plated Brass

Contacts – Gold plated Beryllium Copper

Insulator – PTFE

RATING:

Voltage: Shield/Contact: 335VRMS Max.
Shield/Earth: 30VAC Max.

Temperature: -50°C to 170°C

Frequency: 0 to 12.4 GHz

Impedance: 50 Ohms