

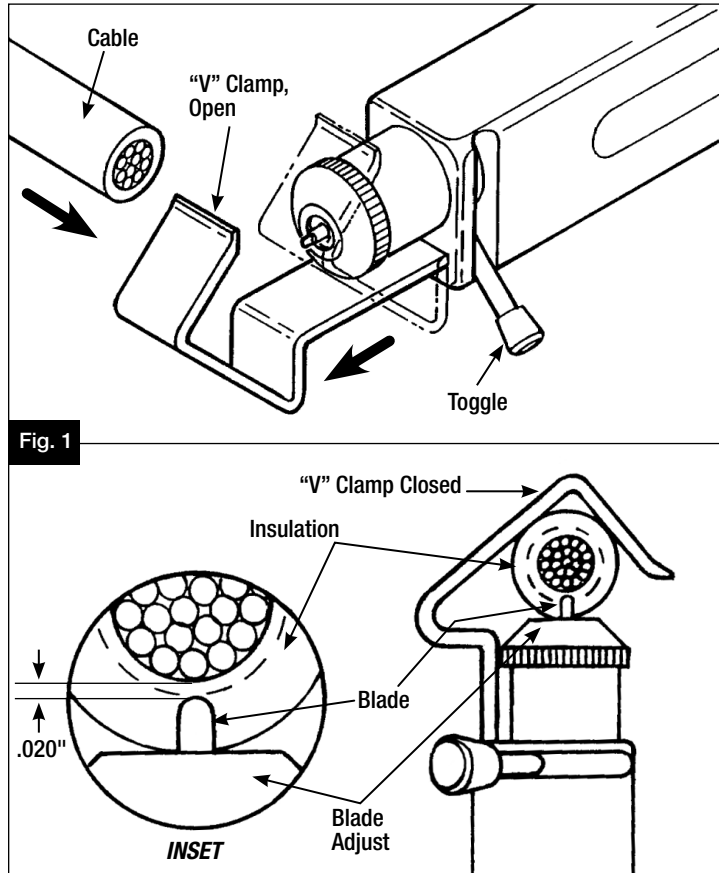
# Cable Jacket Slitter/Stripper Instructions

## P/Ns 10005 and 10007

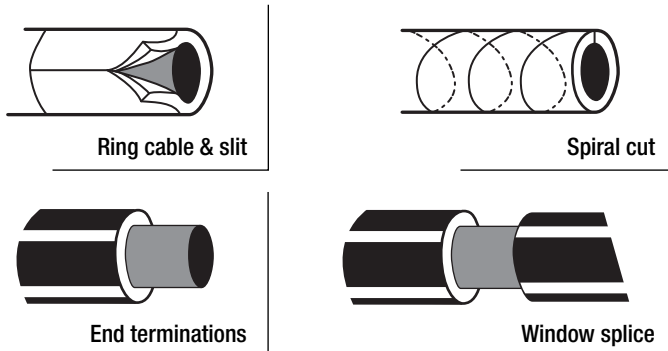
©2013 Platinum Tools Inc. All rights reserved. IS10005 2/13

### Slitter/Stripper Instructions (P/N 10005 & 10007)

- 1) Start with blade fully retracted.
- 2) Adjust blade as shown in Fig.1 inset.
- 3) Place cable under "V" clamp.
- 4) Rotate tool slowly clockwise, several times while pressing on the "V" clamp with the forefinger.
- 5) Rotate the blade 90° using the toggle. Rock the tool longitudinally off the cable while maintaining pressure.
- 6) Separate jacket with edge of "V" clamp and remove jacket.
- 7) Inspect cable for nicked strands & readjust blade if necessary.



#### Applications:



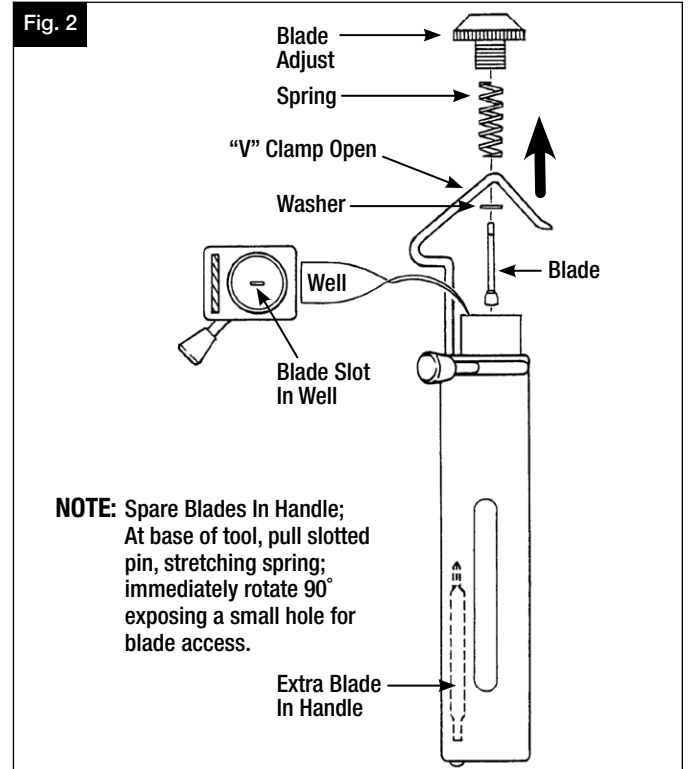
### Blade Sharpening & Replacement

#### Blade Sharpening:

- 1) Hold tool with "V" clamp open (Fig 2).
- 2) Unscrew blade adjust; remove & set aside.
- 3) Remove spring, washer and rotate blade to remove.
- 4) Sharpen blade using an oilstone or fine grit grinding wheel.

#### Blade Replacement:

- 1) Hold "V" clamp open; insert blade into slot at bottom of well.
- 2) Install washer, spring and position threads of blade adjust.
- 3) Release "V" clamp.
- 4) Screw blade adjust into well until blade tip appears. Back off adjustment 1/2 turn.



#### Maintenance and Inspection:

To ensure proper operation, the tool and blade should conform to the following dimensions. Its is recommended that the tool be inspected immediately on its arrival and at regularly scheduled intervals. Store the tool in a clean, dry place and clean with a soft, lint-free cloth.

Replacement blades:  
P/N 10006C

Call Platinum Tools at  
800.749.5783 or visit  
platinumtools.com

