

Datasheet

## RS Pro CR2430 3V Lithium Manganese Dioxide Coin Button Battery

RS Stock No: **866-0675**



### Product Details

RS Pro CR2430 lithium manganese dioxide coin button battery offers long shelf life and is suitable for intermittent high load applications. All cells in this range have a voltage of 3 V and are mercury free. It is commonly used in applications like watches, calculators and cameras.

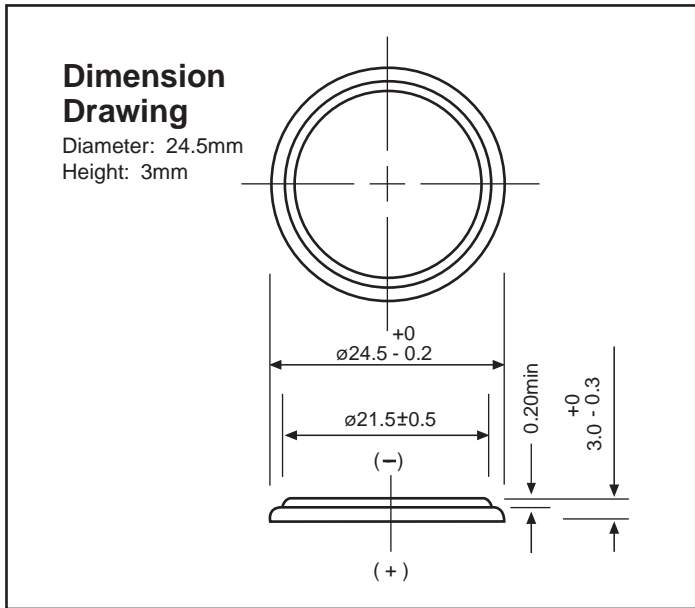
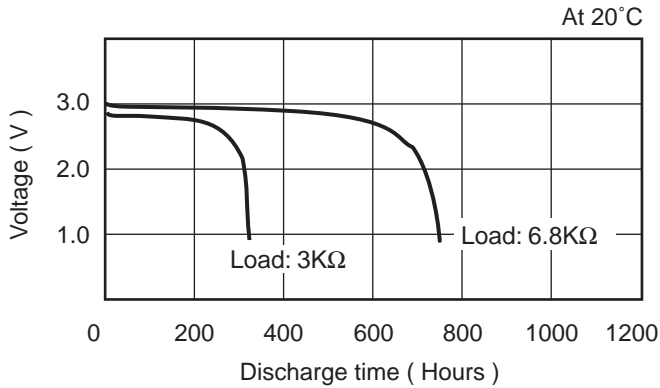
### Features and Benefits

- Non-rechargeable lithium coin cells
- CR type suitable for intermittent high load applications
- Long shelf life
- Commonly used in applications like watches, calculators and cameras

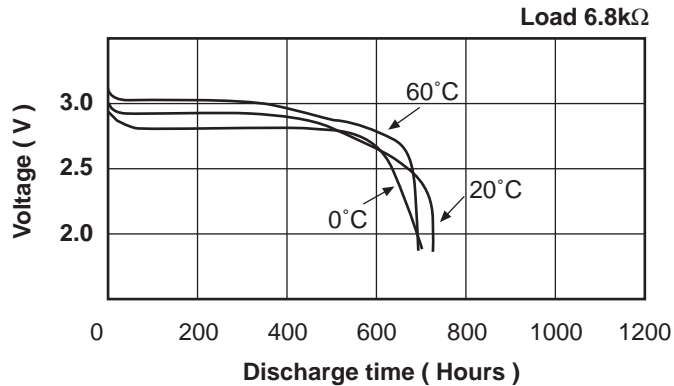
**Specifications:**

Brand Range	RS
Chemistry	Lithium Manganese Dioxide
Mounting Orientation	Vertical
Size	CR2430
Terminal Type	Standard
Capacity	270 mAh
Diameter	24.5 mm
Dimensions	24.5 x 3 mm
Maximum Operating Temperature	+60°C
Minimum Operating Temperature	-30°C
Nominal Voltage	3 V
Operating Temperature Range	-30 to +60°C
Size	CR2430
Weight	4 g
Typical Application	Calculators, Cameras, Memory Backup, Watches

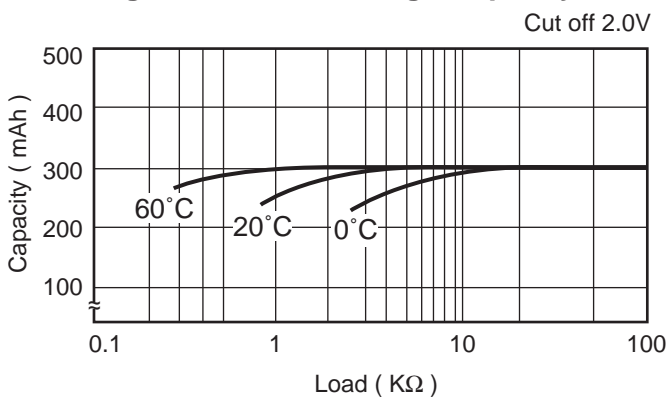
**Discharge Characteristics on load**



**Discharge characteristics on temperature**



**Discharge Load vs Discharge Capacity**



**Discharge characteristics on pulse load**

