



Datasheet

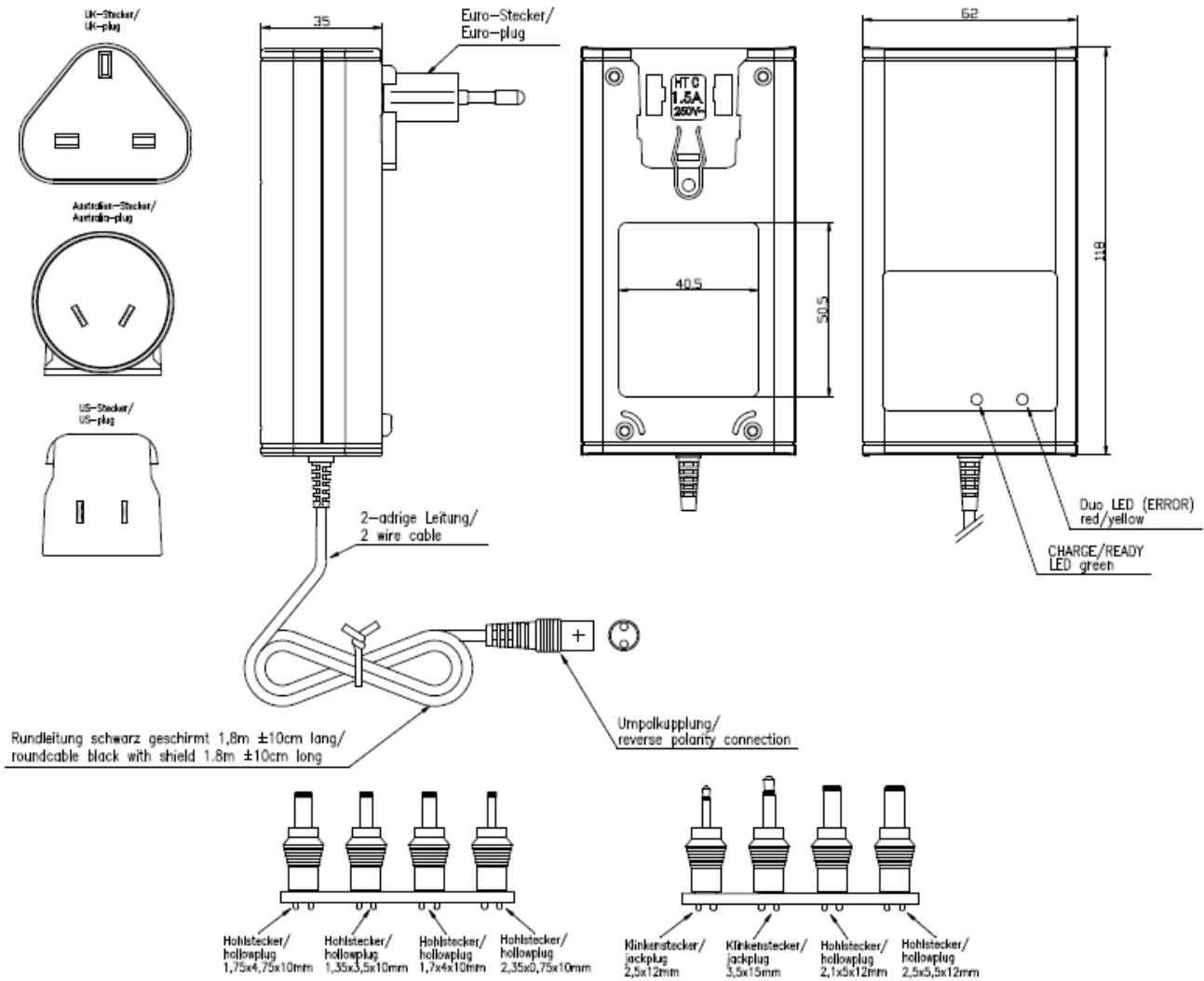
RS PRO 4 Cell 1200 mA Battery Pack Charger for Lithium-Ion Batteries, AUS, EURO, UK & USA Plug

Stock number: 173-5591

EN



Technical Drawing:



Charging Indicators:

| | |
|-----------------------|-------------------------|
| No Battery | LEDs Off |
| Charging | Green LED Flashes |
| Battery Fully Charged | Green LED Lights Steady |
| Error | Red LED Flashes |

Electrical Specifications:

| | | | |
|-----------------------------------|----------------------------------|--|----------------------------------|
| Chemistry Charged | Lithium-Ion | Charging Regime | CC-CV |
| Input Voltage | 100-240 V \pm 10%, 50/60 Hz | Primary Electrical Protection | Fuse 1.6 A |
| Nominal Output Voltage | 14.8 V | Secondary Electrical Protection | Short Circuit and Wrong Polarity |
| Nominal Output Current | 1200 mA \pm 10% | No Load Output Voltage | Approx. 8 V to 16.8 V |
| Number of Cells Charged | 4 | Electric Strength | 4 kV Primary/Secondary |
| Charge End Voltage | 16.8 V \pm 1% | Protection Class | II |
| Charge End Current | 150 mA \pm 10% | Stand-By Power | < 0.8 W |
| Pre-Charge Current | 50 mA to 500 mA \pm 20% | Leakage Current | < 100 μ A |
| Pre-Charge Voltage | 2.5 V to 3 V per cell | Safety Timer | No |
| Restart Voltage | 3.9 V to 4.1 V per cell | Approvals | CE |
| Reverse Current without AC | < 500 μ A at 4.2 V per cell | Standards | IEC/EN60335-2-29, UL1310 |

Physical Specifications:

| | | | |
|--------------------------------------|-------------------------------------|------------------------------|----------------------------|
| Case | Plug-In Housing | Output Connectors | Push On |
| Case Material | PC Plastic UL94V-0, black | Plug Type | UK, Euro, US, Australia |
| PCB Material | FR4 | Weight | 320 g |
| Dimensions | 118 mm x 62 mm x 35 mm | Operating Temperature | 0°C to 40°C |
| Rating Plate (Front and Back) | Silver label with black printing | Storage Temperature | -25°C to +70°C |