



CR020-W

Duplex Receptacle Outlet, Commercial Specification Grade, Smooth Face, 20 Amp, 125 Volt, Side Wire, NEMA 5-20R, 2-Pole, 3-Wire, Self-Grounding - White

Leviton's line of Heavy-Duty Specification Grade receptacles are designed and manufactured to withstand the most demanding environments. Available in a wide variety of configurations, including isolated ground, tamper-resistant, etc., these Commercial Grade devices are the electrical contractor's choice for use in hotels, schools, hospitals and commercial office buildings.

Technical Information

AC Horsepower Ratings

At Rated Voltage: 1 HP

Electrical Specifications

Amperage: 20 A

Current Limiting: Full Rated Current

Dielectric Voltage: Withstands 2000V per UL498

Grounding: Self-Grounding

Pole: 2

Temperature Rise: Max 30C after 100 cycles OL at 150 percent rated current

Voltage: 125 VAC

Wire: 3

Environmental Specifications

Flammability: Rated V-2 per UL94

Operating Temperature: -40°C to 60°C

Material Specifications

Ground Clips: Brass

Grounding Screw: Steel 8-32

Line Contacts: Brass .031 Thick

Strap Material: Zinc-Plated Steel

Terminal Screws: Steel 8-32

Mechanical Specifications

Product ID: Ratings are permanently marked on device

Terminal Accom.: 14-10 AWG

Terminal ID: Brass-Hot, Green-Ground, Silver-Neutral

Termination: Side Wire

Product Features

Color: White

Device Type: Duplex Receptacle Outlet

Feature 4: Smooth Face

Grade: Commercial Specification Grade

NEMA: 5-20R

Standards and Certifications

ANSI: C-73

CSA C22.2 No. 42: File 152105

NEMA: WD-2 WD-6

NOM: 057

UL Fed Spec WC-596: File E13399

UL498: File E13399

Warranty: 10 Year Limited

Color: White

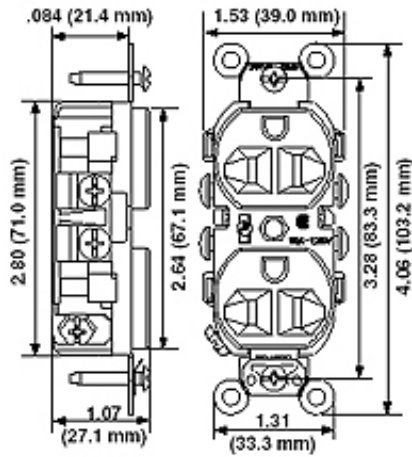
UPC Code: 078477815496

Country Of Origin: Please Contact Customer Service.

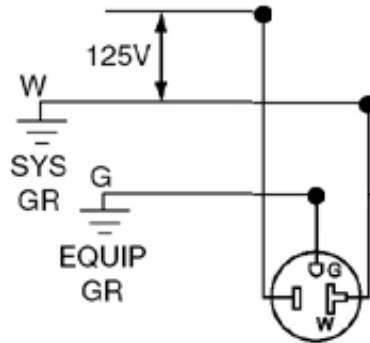
NEMA:
5-20R



Dimensional Diagram



Wiring Diagram



5-20R

SPECIFICATION SUBMITTAL

JOB NAME: <input type="text"/>	CATALOG NUMBERS: <input type="text"/>	
JOB NUMBER: <input type="text"/>	<input type="text"/>	<input type="text"/>

Leviton Manufacturing Co., Inc.

201 North Service Road, Melville, NY 11747

Telephone: +1-800-323-8920 · FAX: +1-800-832-9538 · Tech Line (8:30AM-7:30PM E.S.T. Monday-Friday):

+1-800-824-3005

Leviton Manufacturing of Canada, Ltd.

165 Hymus Boulevard, Pointe Claire, Quebec H9R 1E9 · Telephone: +1-800-469-7890 ·

FAX: +1-800-824-3005 · www.leviton.com/canada

Leviton S. de R.L. de C.V.

Lago Tana 43, Mexico DF, Mexico CP 11290 · Tel.: (+52)55-5082-1040 · FAX: (+52)5386-

1797 · www.leviton.com.mx

Visit our Website at: www.leviton.com

© 2018 Leviton Manufacturing Co., Inc. All Rights Reserved. Subject to change without notice.

Leviton has a global presence.

If you would like to know where your local Leviton office is located please go to:

www.leviton.com/international/contacts/

