



**UPC Code:** 078477987285

**Country Of Origin:** United States

**NEMA:**  
ML-1R

## ML1-PER

15 Amp, 125 Volt, NEMA ML-1R, 2P, W, Flanged Outlet Locking Receptacle, Industrial Grade, Non-Grounding, MiniLock - WHITE

Leviton's Black & White Midget line of industrial grade locking blade plugs and connectors are feature rugged construction that resists impact, sunlight, chemicals and rough use. All contacts are solid one-piece construction for superior conductivity. The ergonomic, fluted-body design with radial gripping edge is ideal for gripping and pulling. The unique cord clamp accepts a wide range of cord sizes, providing a secure grip without damaging the cord. And, they are backed by a limited lifetime warranty.

### Technical Information

#### Electrical Specifications

**Amperage:** 15 A

**Current Limiting:** Full Rated Current

**Dielectric Voltage:** Withstands 2000V per UL498

**Grounding:** Non-Grounding

**Pole:** 2

**Temperature Rise:** Max 30C after 250 cycles OL at 200 percent rated current

**Voltage:** 125 VAC

**Wire:** 2

#### Environmental Specifications

**Environment:** Dry

**Flammability:** Rated HB or better UL94

**Operating Temperature:** -40°C to 60°C

#### Material Specifications

**Body Material:** Impact Modified Nylon

**Color:** White

**Face Material:** Nylon

**Grounding Screw:** Brass 8-32

**Line Contacts:** Brass .035 Thick

**Strap Material:** Thermoplastic Nylon

**Terminal Screws:** Brass 10-32

#### Mechanical Specifications

**Product ID:** Ratings and NEMA I.D. permanently marked on device

**Terminal Accom.:** 18-14 AWG

**Terminal ID:** Brass-Hot, Green-Ground, Silver-Neutral

**Termination:** Back

#### Product Features

**Brand:** Black and White

**Color:** White

**Device Type:** Locking Flanged Outlet

**NEMA:** ML-1R

#### Standards and Certifications

**ANSI:** C-73

**CSA C22.2 No. 42:** File LR-406

**NEMA:** WD-6

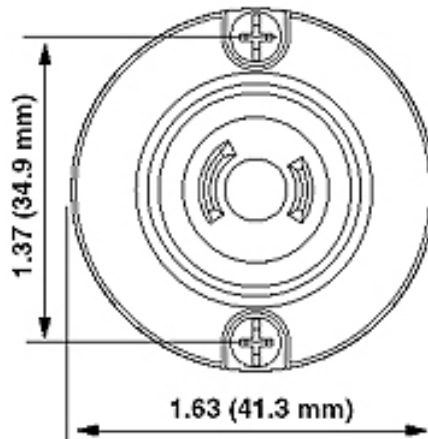
**NOM:** 057

**UL Fed Spec WC-596:** File E13399

**UL498:** File E13399

**Warranty:** Lifetime Warranty

### Dimensional Diagram



## SPECIFICATION SUBMITTAL

JOB NAME: <input type="text"/>	CATALOG NUMBERS: <input type="text"/>	
JOB NUMBER: <input type="text"/>	<input type="text"/>	<input type="text"/>

**Leviton Manufacturing Co., Inc.**

201 North Service Road, Melville, NY 11747

Telephone: +1-800-323-8920 · FAX: +1-800-832-9538 · Tech Line (8:30AM-7:30PM E.S.T. Monday-Friday):

+1-800-824-3005

**Leviton Manufacturing of Canada, Ltd.**

165 Hymus Boulevard, Pointe Claire, Quebec H9R 1E9 · Telephone: +1-800-469-7890 ·

FAX: +1-800-824-3005 · [www.leviton.com/canada](http://www.leviton.com/canada)

**Leviton S. de R.L. de C.V.**

Lago Tana 43, Mexico DF, Mexico CP 11290 · Tel.: (+52)55-5082-1040 · FAX: (+52)5386-

1797 · [www.leviton.com.mx](http://www.leviton.com.mx)

**Visit our Website at: [www.leviton.com](http://www.leviton.com)**

© 2018 Leviton Manufacturing Co., Inc. All Rights Reserved. Subject to change without notice.

**Leviton has a global presence.**

If you would like to know where your local Leviton office is located please go to:

[www.leviton.com/international/contacts/](http://www.leviton.com/international/contacts/)

