



13351

Medium G13 Base, Bi-Pin, Linear Fluorescent Lampholder, Low Profile, Slide-On, Turn-Type, Quick-Connect 18AWG Solid or Str. Tinned - White

Technical Information

Mechanical Specifications

Contact Type: Turn-Type
Mounting Type: Slide-On
Panel Thickness: 18-20 Ga. Panel
Rated Wattage: 660W
Termination: Quick-Connect 18AWG Solid or Str. Tinned
Voltage: 600 Volt
Wire Strip Length: 3/8 Inch

Product Features

Availability: Distribution
Body Material: Thermoset
Color: White
Contact Material: Copper-Alloy
Contact Type: Turn-Type
Lamp Base: Medium

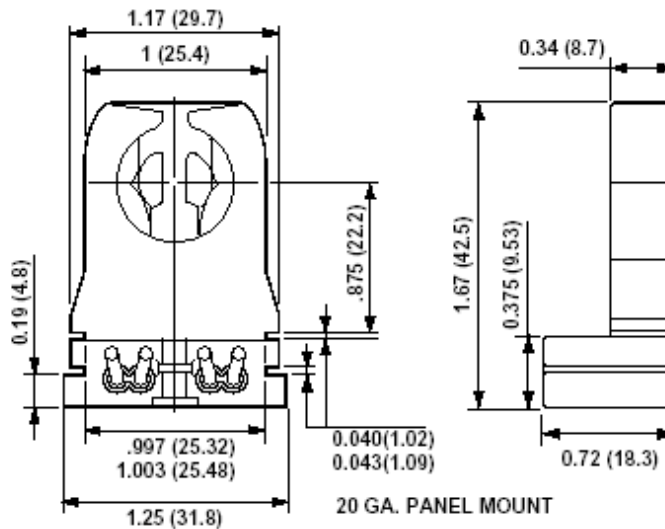
Lamp Contacts: Bi-Pin
Lampholder Type: Linear
Light Type: Fluorescent
Mounting Type: Slide-On
Panel Thickness: 18-20 Ga. Panel
Rated Wattage: 660W
Standards and Certifications: UL/CSA/NOM
Style Name: Low Profile
Termination: Quick-Connect 18AWG Solid or Str. Tinned
Warranty: 1 Year Limited

Standards and Certifications

CSA Certified: File LR-5863
NOM Certified: 057
UL Listed: File E5833

UPC Code: 078477084373

Country Of Origin: Please Contact Customer Service.



SPECIFICATION SUBMITTAL

JOB NAME:	CATALOG NUMBERS:	
<input type="text"/>	<input type="text"/>	<input type="text"/>
JOB NUMBER:	<input type="text"/>	<input type="text"/>

Leviton Manufacturing Co., Inc.

201 North Service Road, Melville, NY 11747

Telephone: +1-800-323-8920 · FAX: +1-800-832-9538 · Tech Line (8:30AM-7:30PM E.S.T. Monday-Friday):
+1-800-824-3005

Leviton Manufacturing of Canada, Ltd.

165 Hymus Boulevard, Pointe Claire, Quebec H9R 1E9 · Telephone: +1-800-469-7890 ·

FAX: +1-800-824-3005 · www.leviton.com/canada

Leviton S. de R.L. de C.V.

Lago Tana 43, Mexico DF, Mexico CP 11290 · Tel.: (+52)55-5082-1040 · FAX: (+52)5386-

1797 · www.leviton.com.mx

Visit our Website at: www.leviton.com

© 2018 Leviton Manufacturing Co., Inc. All Rights Reserved. Subject to change without notice.

Leviton has a global presence.

If you would like to know where your local Leviton office is located please go to:

www.leviton.com/international/contacts/

