

CUSTOM CONNECTOR  
CORPORATION

Automotive Relay Connectors | Electronic Packaging | Relay Sockets | DIN Rails | Terminal Blocks | Custom Products

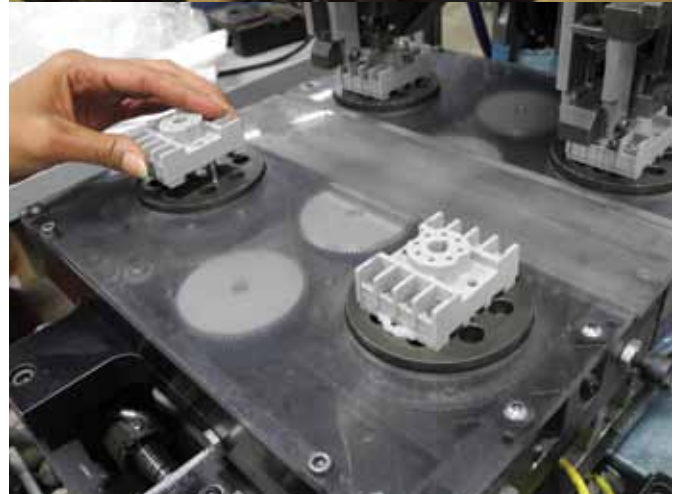
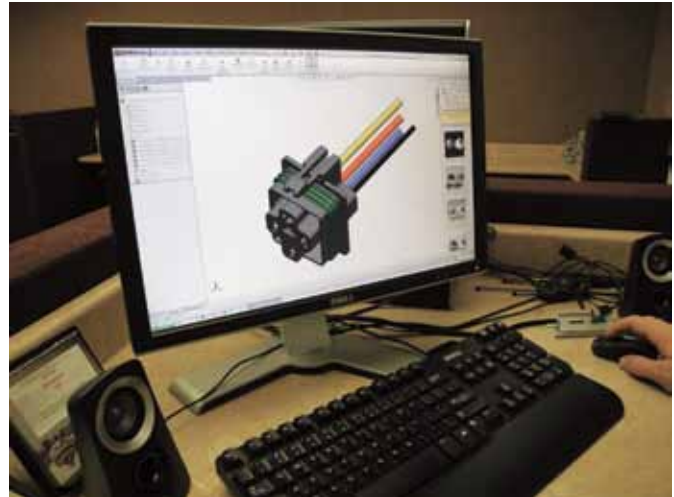
Custom Connector is a privately owned corporation established in 1969 with headquarters, manufacturing and warehousing facilities located in Cleveland, Ohio.

We pride ourselves in our commitment to customer satisfaction through:

- High quality manufactured products
- Process Controls
- Innovation
- Technical expertise
- On time delivery
- Excellent customer service
- Low lead times

Our products are available around the globe through our network of reputable factory Authorized Distributors. As this world continues to evolve, we embrace that evolution and our loyal customers that join us. We thank those loyal customers for their contributions to our success and we are pleased knowing that we contribute to theirs.

**Call us anytime at (216)241-1679 or email us at: [sales@customconnector.com](mailto:sales@customconnector.com)**





## Relay Sockets

OT Series .....	4
ST Series.....	5
MT Series.....	6
GT Series .....	7
ES Series .....	8, 10-13
EC Series.....	9
SD Series.....	14
SS Series.....	15
RB Series.....	16
OB Series.....	17
CM Series .....	18-19
MR Series .....	20-21
GR Series.....	22-23

## DIN Rails & Accessories

Aluminum DIN Rails .....	24
Steel DIN Rails.....	25-27
DIN Rail Support Brackets .....	28
Hold Down Springs.....	29
Hold Down Springs/Rail Mounting Clamps .....	30
Hold Down Springs/Ejectors .....	31

## Automotive Relay Sockets and Connectors

BR Series .....	32-34
PW Series.....	35
PR Series.....	36
VR Series .....	37

## Electronic Packaging Products

GB/TB Series .....	38
FB/FC Series.....	39
HB Series .....	40
DC/HC/JC.....	41
E1 Series .....	42
E2 Series .....	43-44
DM/PM Series .....	45

## Terminal Blocks

G Series .....	46-47
----------------	-------

## Custom Products

Custom Engineered, Manufactured Products.....	48-49
---	-------

## Switch Connectors

CC Series .....	50
-----------------	----

# Relay Sockets OT Series



socketrac

## Description

8 and 11 Pin Octal Sockets, DIN Rail Mountable

## Electrical Rating

- OT08, OT08-PC - 600 Volts, 10 Amps
- OT11, OT11-PC - 300 Volts, 10 Amps

## Construction

- Contacts** • Brass, Nickel Plated
- Screws** • Binder Head, 6 - 32 x 1/4" Steel, Zinc Plated
- Pressure Clamp, 6 - 32 x 5/16" Steel, Zinc Plated, Wire Range #12 - #20 Solid or Stranded
- Molding** • Break Resistant Thermoplastic Black Standard, Grey Available

## Agency Approvals

- UL recognized, File No. E60008
- CSA certified, File No. LR29513
- CE
- ROHS

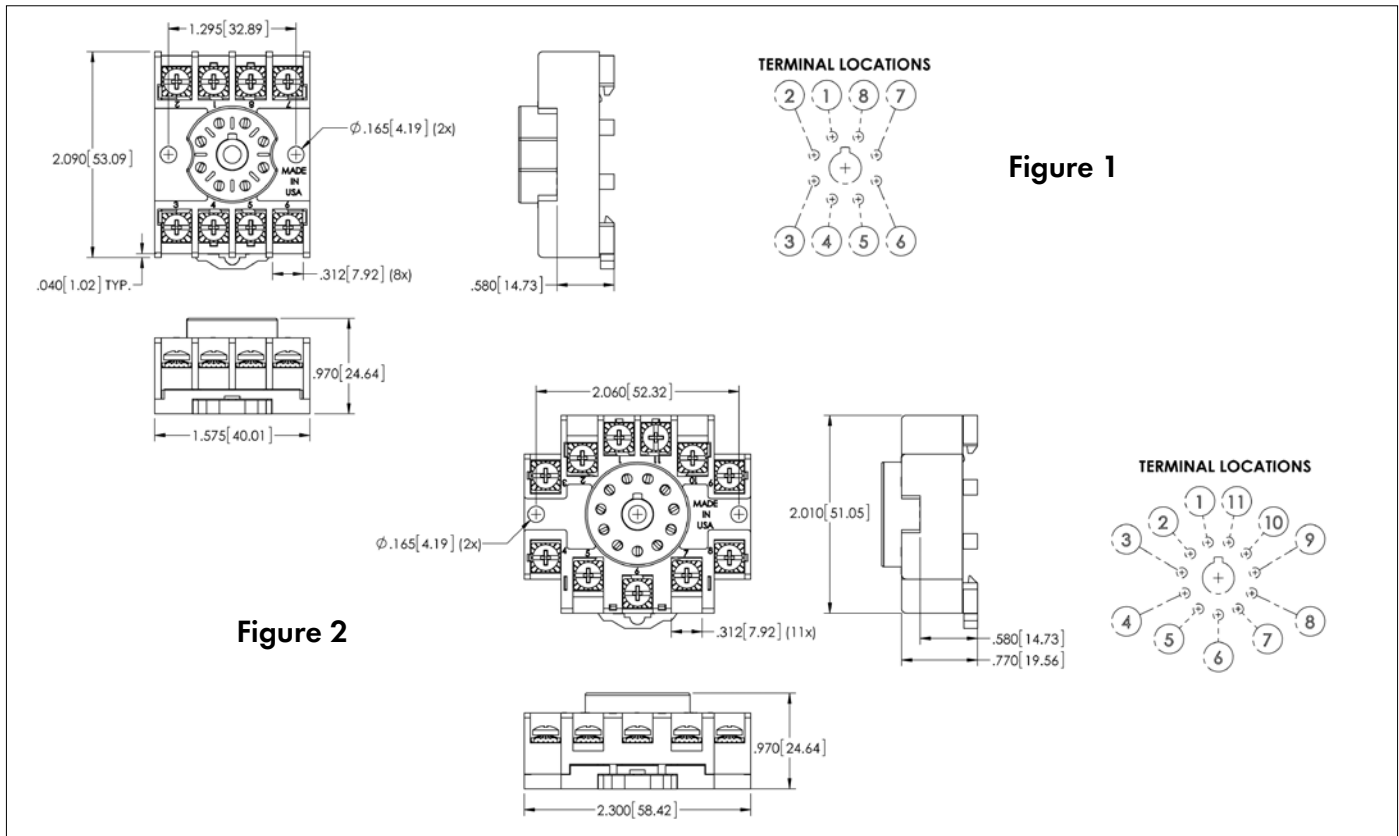


## OT Series Ordering Code

Part #	Description	Terminal Type
OT08	DPDT, 8 Pin Octal (Fig. 1)	Binder Head Screws
OT08-PC	DPDT, 8 Pin Octal (Fig. 1)	Pressure Clamp Screws
OT11	3PDT, 11 Pin Octal Style (Fig. 2)	Binder Head Screws
OT11-PC	3PDT, 11 Pin Octal Style (Fig. 2)	Pressure Clamp Screws

## Accessories

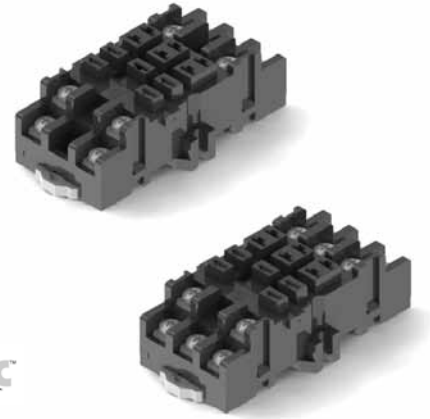
Part #	Description
	(Refer to the accessories pages 24-31)
C-103-PM	Prepunched Aluminum DIN Rail (1 Meter Lengths)
C-108-PM	Prepunched Raised Aluminum DIN Rail (1 Meter Lengths)
C-108-2PM	Prepunched Raised Aluminum DIN Rail (2 Meter Lengths)



# ST Series Relay Sockets

- Description** 8 and 11 Pin Square Base Sockets, DIN Rail Mountable
- Electrical Rating** • 300 Volts, 15 Amps
- Construction**
- Contacts** • Brass, Nickel Plated
  - Screws** • Binder Head, 6 - 32 x 1/4" Steel, Zinc Plated  
• Pressure Clamp, 6 - 32 x 5/16" Steel, Zinc Plated, Wire Range #12 - #20 Solid or Stranded
  - Molding** • Break Resistant Thermoplastic Black Standard, Grey Available

- Agency Approvals**
- UL recognized, File No. E60008
  - CSA certified, File No. LR29513
  - CE
  - ROHS



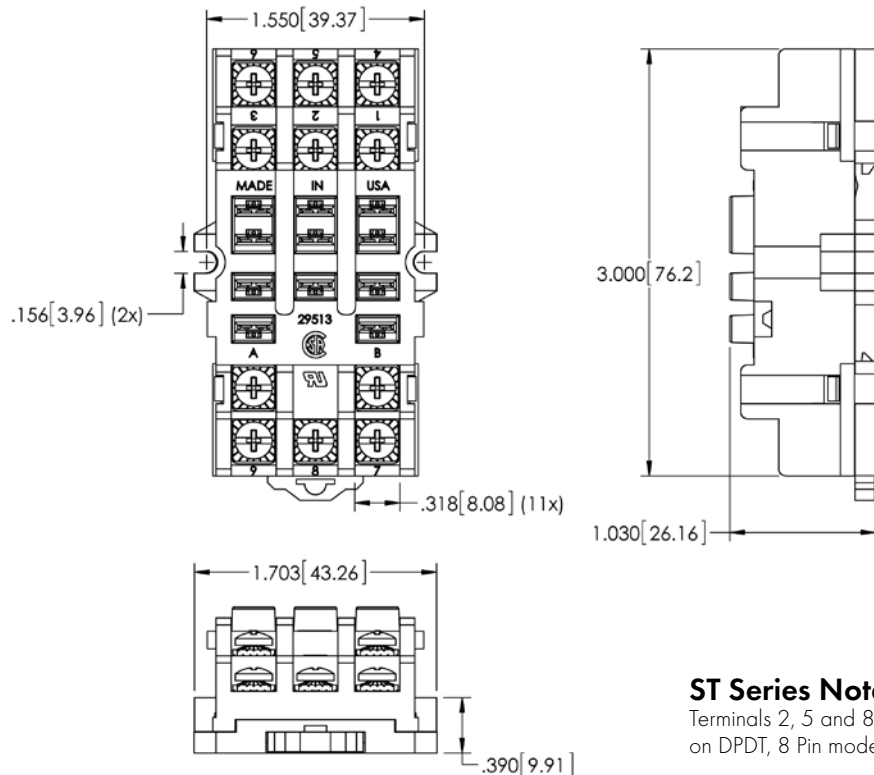
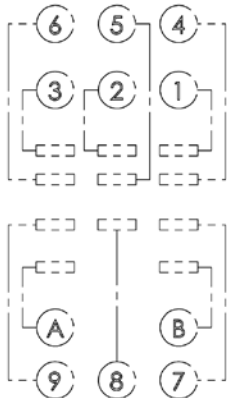
## ST Series Ordering Code

Part #	Description	Terminal Type
ST08	DPDT, 8 Pin Blade	Binder Head Screws
ST08-PC	DPDT, 8 Pin Blade	Pressure Clamp Screws
ST11	3PDT, 11 Pin Blade	Binder Head Screws
ST11-PC	3PDT, 11 Pin Blade	Pressure Clamp Screws

## Accessories

Part #	Description
(Refer to the accessories pages 24-31)	
C-103-PM	Prepunched Aluminum DIN Rail (1 Meter Lengths)
C-108-PM	Prepunched Raised Aluminum DIN Rail (1 Meter Lengths)
C-108-2PM	Prepunched Raised Aluminum DIN Rail (2 Meter Lengths)
HDB-8	Hold Down Spring

### TERMINAL LOCATIONS



### ST Series Note:

Terminals 2, 5 and 8 omitted on DPDT, 8 Pin models

# Relay Sockets

## MT Series



socketrac

### Description

8 and 14 Pin Miniature Sockets, DIN Rail Mountable

### Electrical Rating

- 300 Volts, 10 Amps

### Construction

- Contacts** • Brass, Nickel Plated
- Screws** • M3 x .5 x 6.5 mm Steel, Zinc Plated, Wire Range #14 - #22 Solid or Stranded
- Molding** • Break Resistant Thermoplastic Black Standard, Grey Available

### Agency Approvals

- UL recognized, File No. E60008
- CSA certified, File No. LR29513
- CE
- ROHS

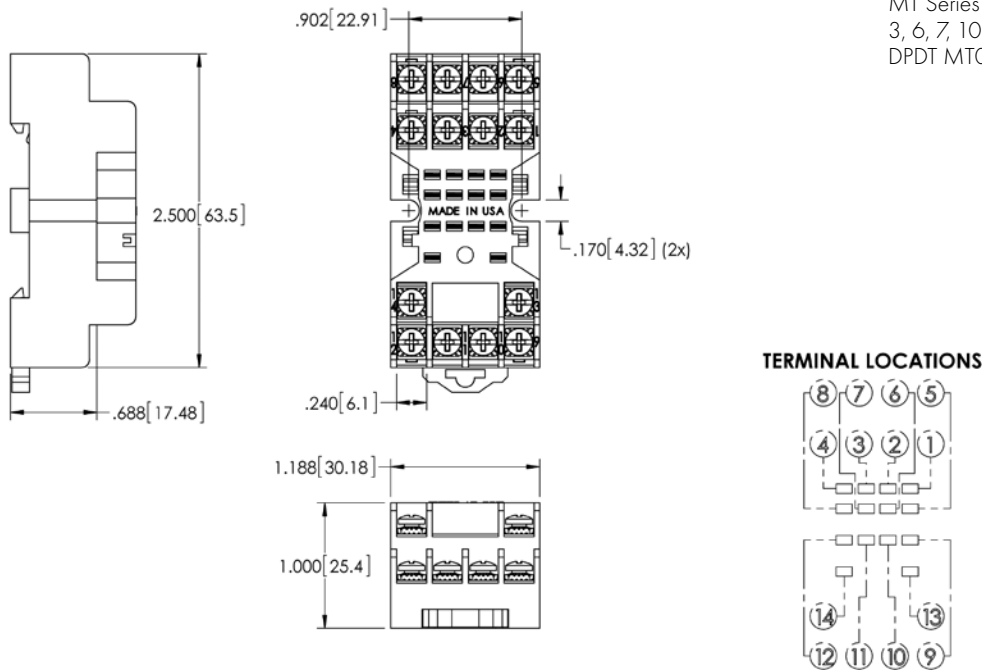


### MT Series Ordering Code

Part #	Description	Terminal Type
MT08-PC	DPDT, 8 Pin Miniature	Pressure Clamp Screws
MT14-PC	4PDT, 8 Pin Miniature	Pressure Clamp Screws

### Accessories

Part #	Description
(Refer to the accessories pages 24-31)	
C-103-PM	Prepunched Aluminum DIN Rail (1 Meter Lengths)
C-108-PM	Prepunched Raised Aluminum DIN Rail (1 Meter Lengths)
C-108-2PM	Prepunched Raised Aluminum DIN Rail (2 Meter Lengths)
HDB-4	Hold Down Spring



### MT Series Note:

MT Series Note: terminals 2, 3, 6, 7, 10 and 11 omitted on DPDT MT08-PC model.



www.CustomConnector.com | sales@customconnector.com

Phone (216) 241-1679 | Fax (216) 241-5529

# GT Series Relay Sockets

**Description** 8 and 14 Pin Midget Sockets, DIN Rail Mountable

**Electrical Rating** • 300 Volts, 10 Amps (SPDT and DPDT models also carry the additional rating of 150 Volts, 15 Amps)

**Construction**

**Contacts** • Brass, Nickel Plated

**Screws** • Binder Head, 6 - 32 x 1/4" Steel, Zinc Plated  
• Pressure Clamp, 6 - 32 x 5/16" Steel, Zinc Plated, Wire Range #12 - #20 Solid or Stranded

**Molding** • Break Resistant Thermoplastic Black Standard, Grey Available

**Agency Approvals** • UL recognized, File No. E60008  
• CSA certified, File No. LR29513  
• CE  
• ROHS

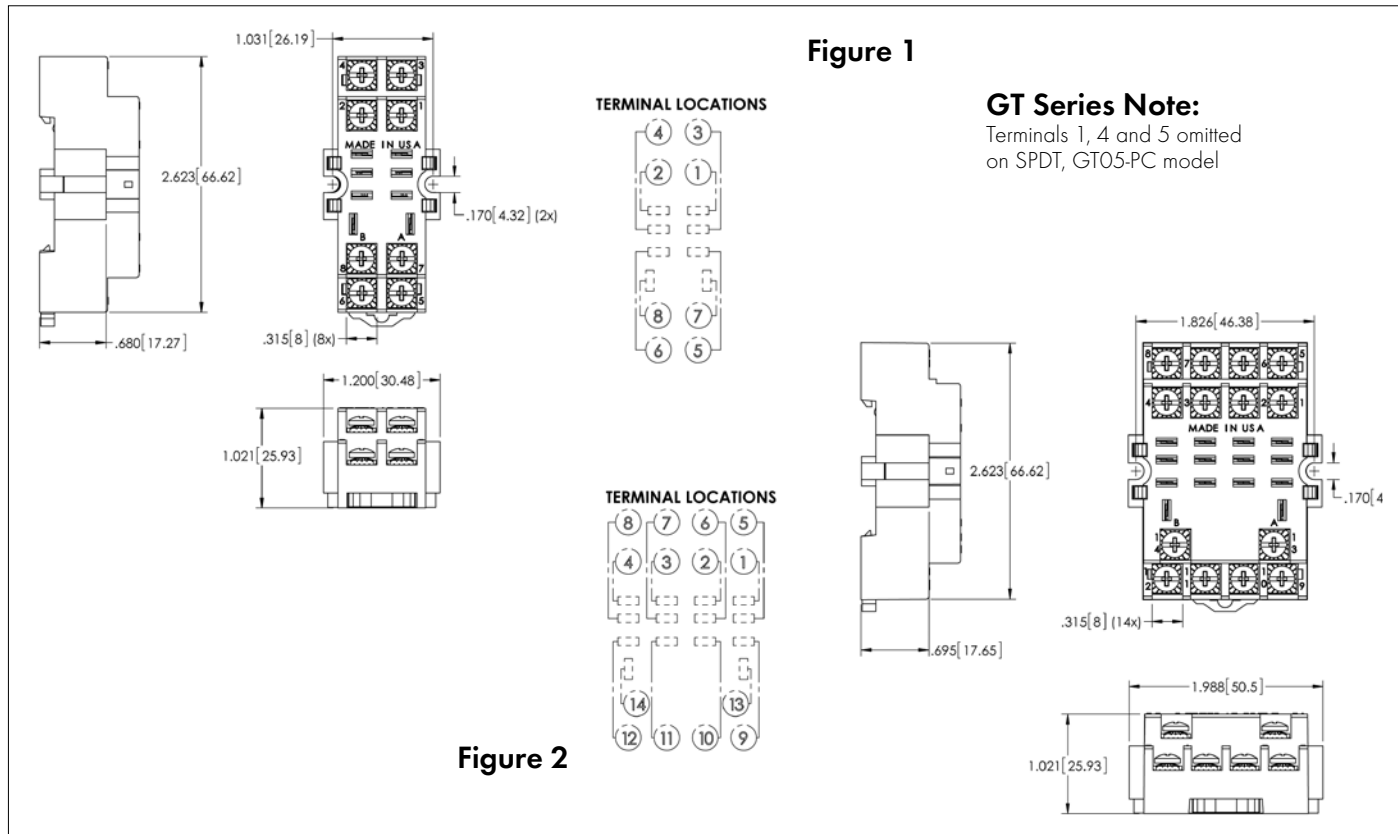


## GT Series Ordering Code

Part #	Description	Terminal Type
GT05-PC	SPDT, 5 Pin Midget (Fig. 1)	Pressure Clamp Screws
GT08-PC	DPDT, 8 Pin Midget (Fig. 1)	Pressure Clamp Screws
GT14-PC	4PDT, 14 Pin Midget (Fig. 2)	Pressure Clamp Screws

## Accessories

Part #	Description
(Refer to the accessories pages 24-31)	
C-103-PM	Prepunched Aluminum DIN Rail (1 Meter Lengths)
C-108-PM	Prepunched Raised Aluminum DIN Rail (1 Meter Lengths)
C-108-2PM	Prepunched Raised Aluminum DIN Rail (2 Meter Lengths)
HDB-4	Hold Down Spring for GT05-PC and GT08-PC
HDB-19	Hold Down Spring for GT14-PC



# Relay Sockets

## ES Series



### Description

8 and 11 Pin Octal Sockets, DIN Rail Mountable, Finger Safe

### Electrical Rating




- 300 Volts, 10 Amps

### Construction

- Contacts** • Brass, Nickel Plated
- Screws** • M3 Steel, Nickel Plated, Maximum Wire Gauge #14

- Molding** • Break Resistant Thermoplastic

### Agency Approvals

- UL recognized, File No. E113714 
- CSA certified, File No. LR26716 
- CE 

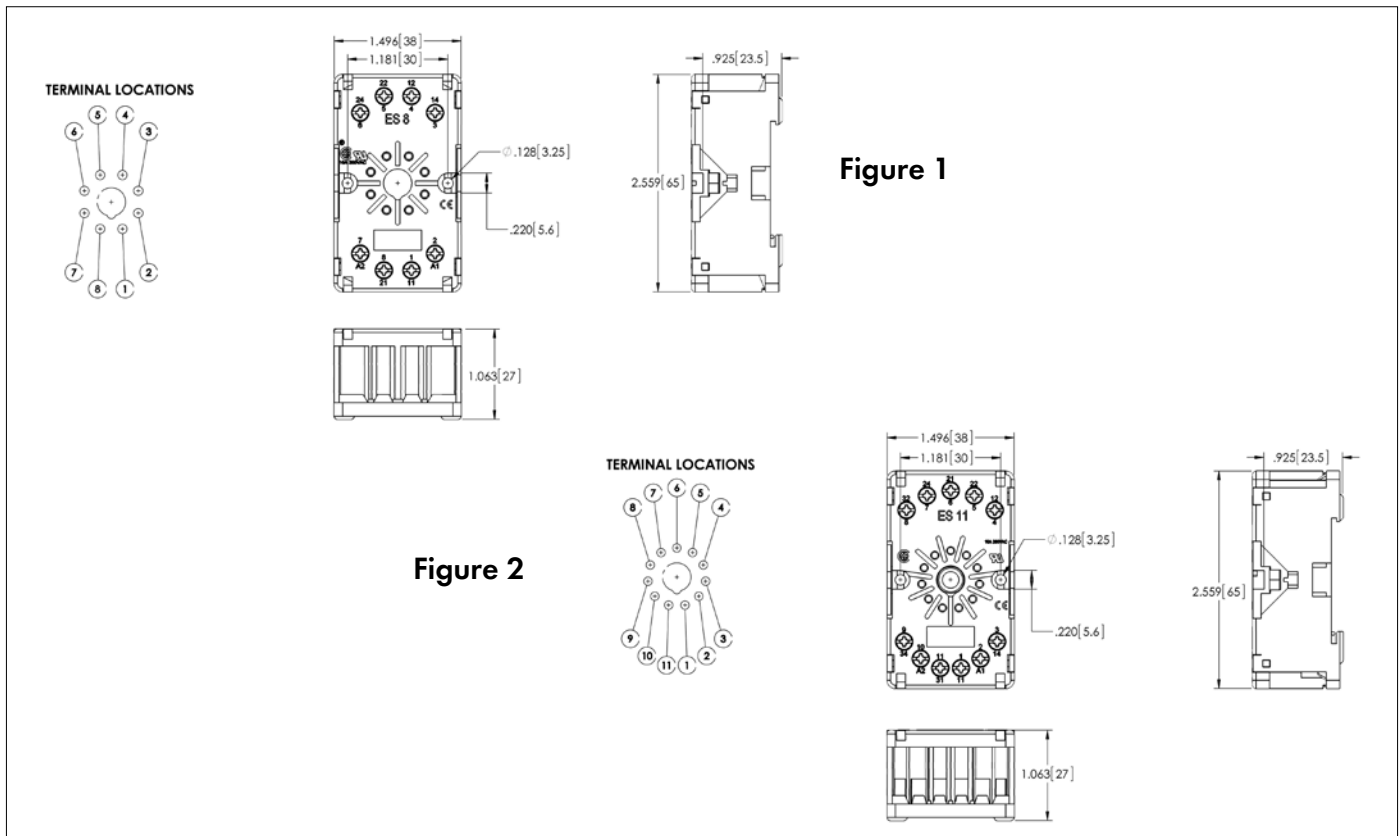


### ES Series Ordering Code

Part #	Description	Terminal Type
ES8	DPDT, 8 Pin Octal Style (Fig. 1)	Box Lug
ES11	3PDT, 11 Pin Octal Style (Fig.2)	Box Lug






### Accessories

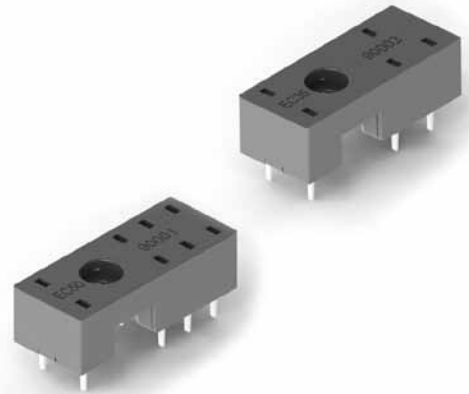
Part #	Description
(Refer to the accessories pages 24-31)	
C-103-PM	Prepunched Aluminum DIN Rail (1 Meter Lengths)
C-108-PM	Prepunched Raised Aluminum DIN Rail (1 Meter Lengths)
C-108-2PM	Prepunched Raised Aluminum DIN Rail (2 Meter Lengths)
HDB-13	Hold Down Spring
T	Marking Plate





# EC Series Relay Sockets

- Description** 5 and 8 Pin Slim Line Sockets
- Electrical Rating**
- 300 Volts, 10 Amps 
  - 300 Volts, 12 Amps 
- Construction**
- Contacts** • Copper Alloy, Tin Plated
- Molding** • Break Resistant Thermoplastic
- Agency Approvals**
- UL recognized, File No. E113714 
  - CSA certified, File No. 172852 
  - CE 

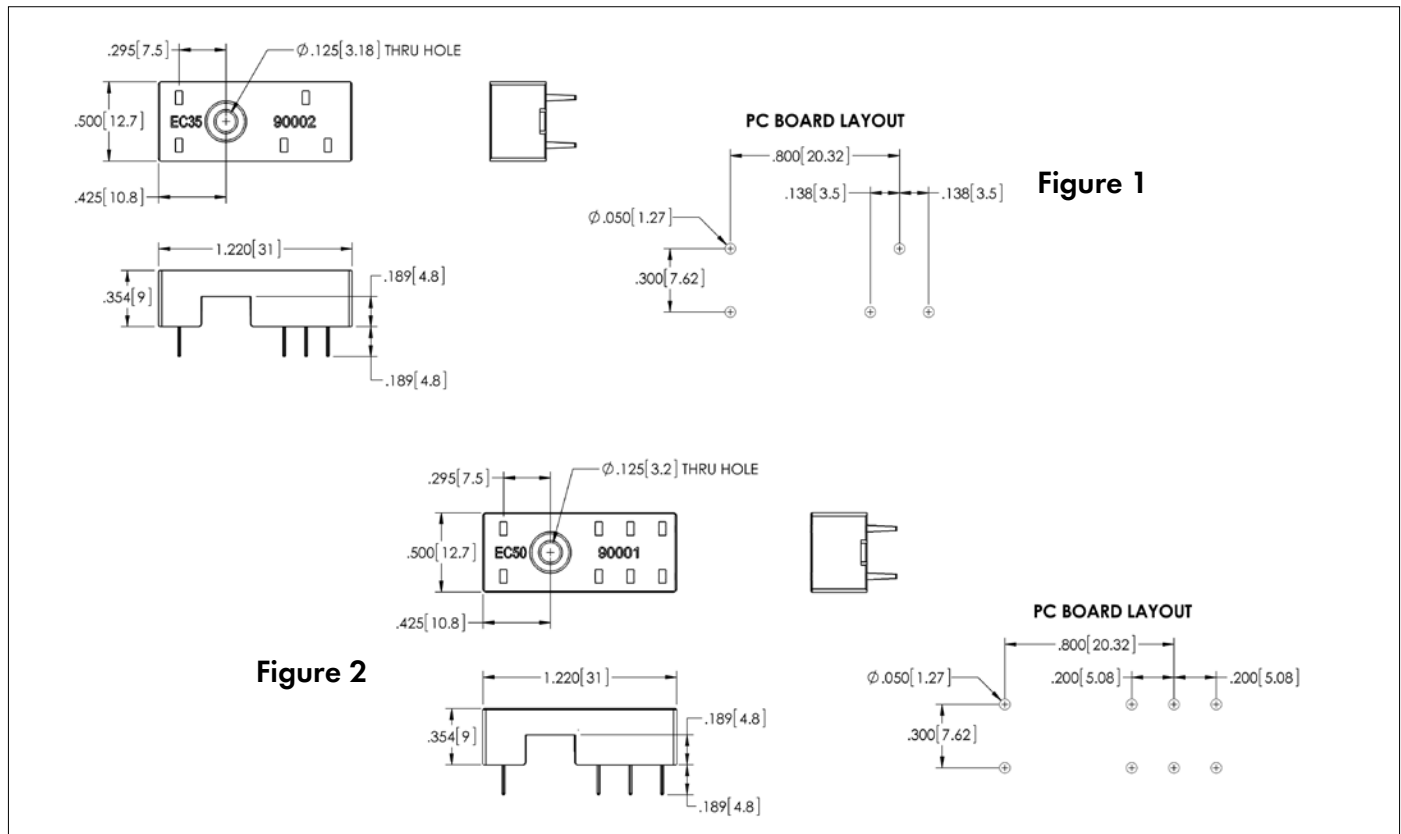


## EC Series Ordering Code

Part #	Description	Terminal Type
EC35	SPDT, 5 Pin Slim Line (Fig. 1)	PC Board
EC50	DPDT, 8 Pin Slim Line (Fig. 2)	PC Board

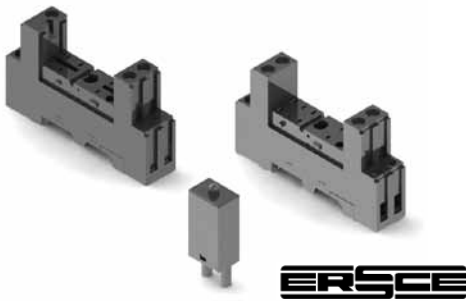
## Accessories

Part #	Description
	(Refer to the accessories pages 24-31)
MH12-2	Hold Down Spring Steel
MH16-2	Hold Down Spring Steel
MH25-2	Hold Down Spring Steel
MP12-2	Hold Down Spring Plastic
MP16-2	Hold Down Spring Plastic
MP25-2	Hold Down Spring Plastic



# Relay Sockets

## ES Series



### ES Series Ordering Code

Part #	Description	Terminal Type
ES35	SPDT, 5 Pin Slim Line (Fig. 1)	Box Lug
ES50	DPDT, 8 Pin Slim Line (Fig.2)	Box Lug

### Accessories

Part #	Description
(Refer to the accessories pages 24-31)	
C-103-PM	Prepunched Aluminum DIN Rail (1 Meter Lengths)
C-108-PM	Prepunched Raised Aluminum DIN Rail (1 Meter Lengths)
C-108-2PM	Prepunched Raised Aluminum DIN Rail (2 Meter Lengths)
MS12	Hold Down Spring/Ejector
MS16	Hold Down Spring/Ejector
MS25	Hold Down Spring/Ejector

#### Description

5 and 8 Pin Slim Line Sockets, DIN Rail Mountable, Finger Safe

#### Electrical Rating

• 300 Volts, 10 Amps 300 Volts, 12 Amps

#### Construction

**Contacts** • Brass, Nickel Plated  
**Screws** • M3 Steel, Nickel Plated, Maximum Wire Gauge #14

**Molding** • Break Resistant Thermoplastic

**Agency Approvals** • UL recognized, File No. E113714

• CSA certified, File No. 172852   
 • CE

### Plug-in Indicator and Protection Modules

Part #	Description
Type 22	Diode for 6-230V DC (+Terminal A1)
Type 42V	Green LED with Diode for 6-24V DC (+Terminal A1)
Type 42CV	Green LED with Diode for 110-230V DC (+Terminal A1)
Type 52B	RC Circuit for 6-24V AC
Type 52C	RC Circuit for 110-240V AC
Type 62V	Green LED for 6-24V AC/DC (For DC + Terminal A1)
Type 92V	Green LED for 110-240V AC/DC (For DC + Terminal A1)
Type 62CV	Varistor + Green LED for 6-24V AC/DC (For DC + Terminal A1)
Type 92CV	Varistor + Green LED for 110-240V AC/DC (For DC + Terminal A1)
Type 102	Bypass Resistor 110-240V AC

#### TERMINAL LOCATIONS

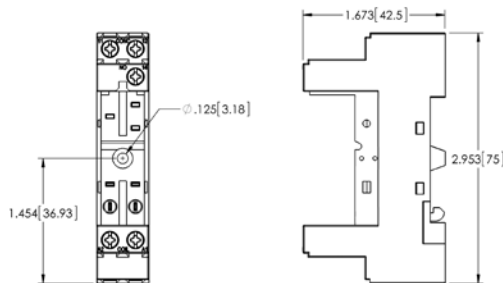


Figure 1

#### TERMINAL LOCATIONS

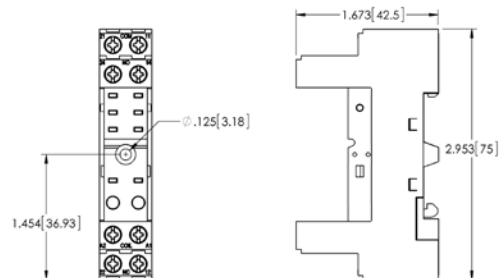
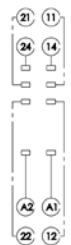




Figure 2

# ES Series Relay Sockets

**Description** 8 Pin Slim Line Sockets, DIN Rail Mountable, Finger Safe




**Electrical Rating**

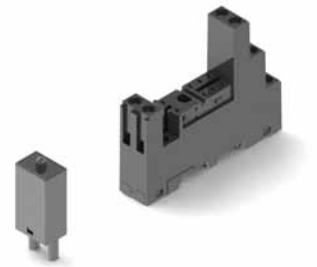
- 300 Volts, 10 Amps 
- 300 Volts, 12 Amps 

**Construction**

- Contacts** • Brass, Nickel Plated
- Screws** • M3 Steel, Nickel Plated, Maximum Wire Gauge #14
- Molding** • Break Resistant Thermoplastic

**Agency Approvals**

- UL recognized, File No. E113714 
- CSA certified, File No. LR42742 
- CE 



## ES Series Ordering Code

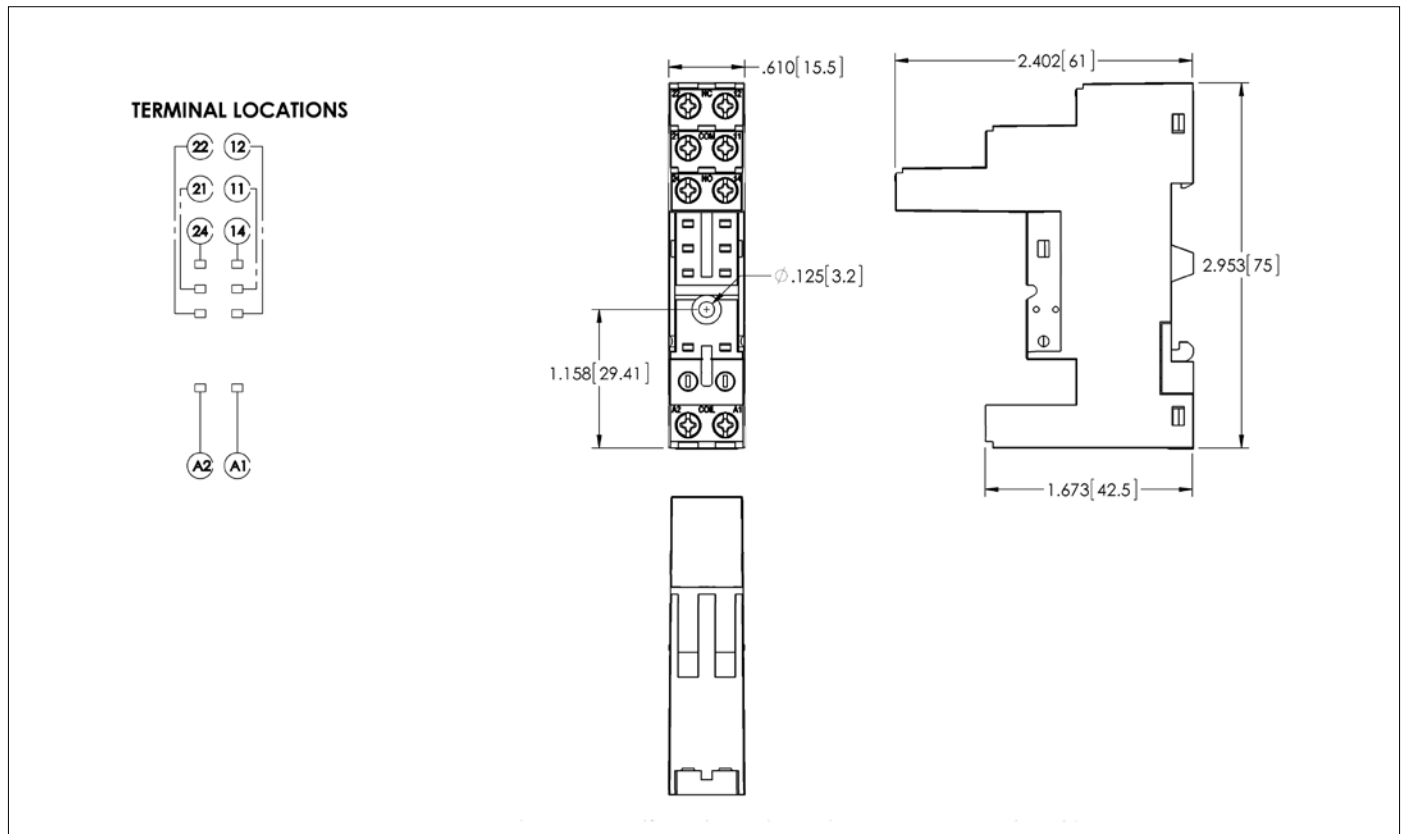
Part #	Description	Terminal Type
ES50/3	DPDT, 8 Pin Slim Line	Box Lug

## Accessories

Part #	Description
(Refer to the accessories pages 24-31)	
C-103-PM	Prepunched Aluminum DIN Rail (1 Meter Lengths)
C-108-PM	Prepunched Raised Aluminum DIN Rail (1 Meter Lengths)
C-108-2PM	Prepunched Raised Aluminum DIN Rail (2 Meter Lengths)
MS12	Hold Down Spring/Ejector
MS16	Hold Down Spring/Ejector
MS25	Hold Down Spring/Ejector

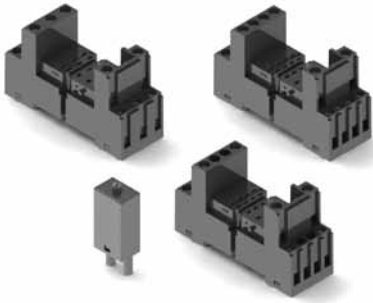
## Plug-in Indicator and Protection Modules

Part #	Description
Type 22	Diode for 6-230V DC (+Terminal A1)
Type 42V	Green LED with Diode for 6-24V DC (+Terminal A1)
Type 42CV	Green LED with Diode for 110-230V DC (+Terminal A1)
Type 52B	RC Circuit for 6-24V AC
Type 52C	RC Circuit for 110-240V AC
Type 62V	Green LED for 6-24V AC/DC (For DC + Terminal A1)
Type 92V	Green LED for 110-240V AC/DC (For DC + Terminal A1)
Type 62CV	Varistor + Green LED for 6-24V AC/DC (For DC + Terminal A1)
Type 92CV	Varistor + Green LED for 110-240V AC/DC (For DC + Terminal A1)
Type 102	Bypass Resistor 110-240V AC



# Relay Sockets

## ES Series



### Description

8, 11 and 14 Pin Miniature Sockets, DIN Rail Mountable, Finger Safe

### Electrical Rating

• 300 Volts, 10 Amps 300 Volts, 12 Amps

### Construction

**Contacts** • Brass, Nickel Plated  
**Screws** • M3 Steel, Nickel Plated,  
 Maximum Wire Gauge #14

**Molding** • Break Resistant Thermoplastic

**Agency Approvals** • UL recognized, File No. E113714

• CSA certified, File No. LR26716

• CE

### ES Series Ordering Code

Part #	Description	Terminal Type
ES15/2N	DPDT, 8 Pin Miniature (Fig. 2)	Box Lug
ES15/3N	3PDT, 11 Pin Miniature (Fig.1)	Box Lug
ES15/4N	4PDT, 14 Pin Miniature (Fig. 2)	Box Lug

### Accessories

Part #	Description
(Refer to the accessories pages 24-31)	
C-103-PM	Prepunched Aluminum DIN Rail (1 Meter Lengths)
C-108-PM	Prepunched Raised Aluminum DIN Rail (1 Meter Lengths)
C-108-2PM	Prepunched Raised Aluminum DIN Rail (2 Meter Lengths)
MHO	Hold Down Spring
MS35	Hold Down Spring/Ejector

### Plug-in Indicator and Protection Modules

Part #	Description
Type 22	Diode for 6-230V DC (+Terminal A1)
Type 42V	Green LED with Diode for 6-24V DC (+Terminal A1)
Type 42CV	Green LED with Diode for 110-230V DC (+Terminal A1)
Type 52B	RC Circuit for 6-24V AC
Type 52C	RC Circuit for 110-240V AC
Type 62V	Green LED for 6-24V AC/DC (For DC + Terminal A1)
Type 92V	Green LED for 110-240V AC/DC (For DC + Terminal A1)
Type 62CV	Varistor + Green LED for 6-24V AC/DC (For DC + Terminal A1)
Type 92CV	Varistor + Green LED for 110-240V AC/DC (For DC + Terminal A1)
Type 102	Bypass Resistor 110-240V AC

#### TERMINAL LOCATIONS

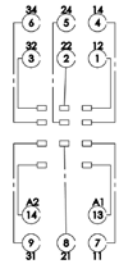
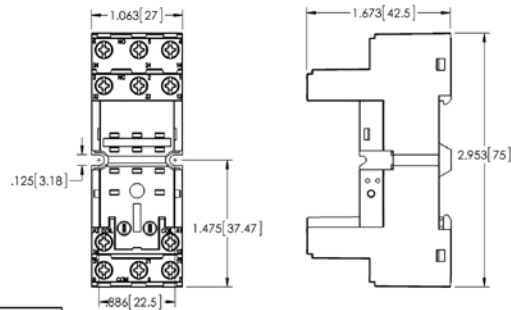
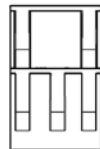


Figure 1



#### TERMINAL LOCATIONS

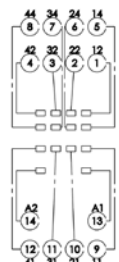
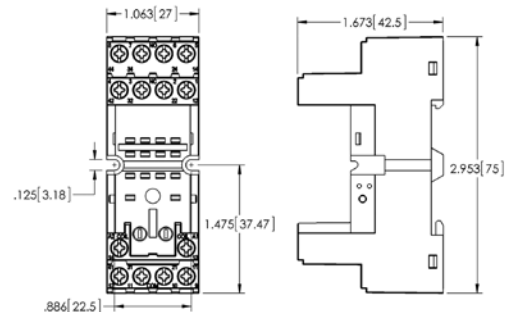
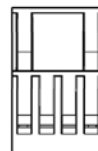


Figure 2



### ES15/2N Series Note:

ES15/2N is the same as ES15/4N but with terminals 2, 3, 6, 7, 10 & 11 omitted

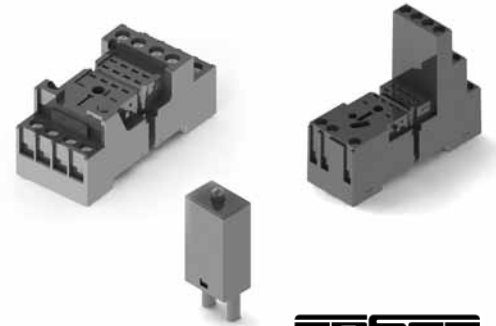
# ES Series Relay Sockets

**Description** 14 Pin Miniature Sockets, DIN Rail Mountable, Finger Safe

**Electrical Rating** • 300 Volts, 10 Amps

**Construction**  
**Contacts** • Brass, Nickel Plated  
**Screws** • M3 Steel, Nickel Plated  
**Molding** • Break Resistant Thermoplastic

**Agency Approvals** • UL recognized, File No. E113714  
 • CSA certified, File No. LR26716  
 • CE  
 • ROHS



## ES Series Ordering Code

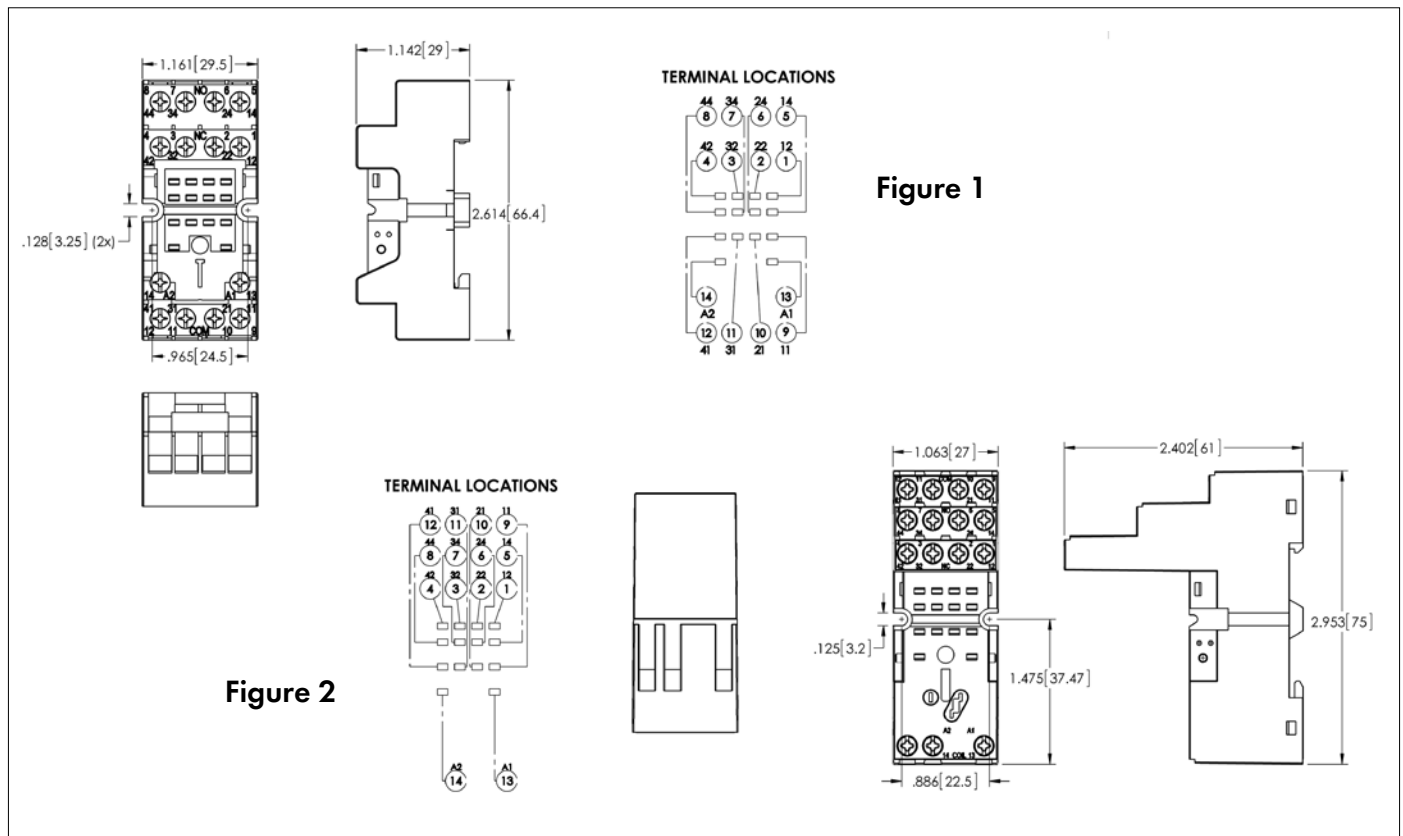
Part #	Description	Terminal Type
ES15/4B	4PDT, 14 Miniature (Fig. 1)	Pressure Clamp Screws
ES15/4S	4PDT, 14 Pin Miniature (Fig. 2)	Box Lug

## Accessories

Part #	Description
(Refer to the accessories pages 24-31)	
C-103-PM	Prepunched Aluminum DIN Rail (1 Meter Lengths)
C-108-PM	Prepunched Raised Aluminum DIN Rail (1 Meter Lengths)
C-108-2PM	Prepunched Raised Aluminum DIN Rail (2 Meter Lengths)
MHO	Hold Down Spring
MS35	Hold Down Spring

## Plug-in Indicator and Protection Modules

Part #	Description
Type 22	Diode for 6-230V DC (+Terminal A1)
Type 42V	Green LED with Diode for 6-24V DC (+Terminal A1)
Type 42CV	Green LED with Diode for 110-230V DC (+Terminal A1)
Type 52B	RC Circuit for 6-24V AC
Type 52C	RC Circuit for 110-240V AC
Type 62V	Green LED for 6-24V AC/DC (For DC + Terminal A1)
Type 92V	Green LED for 110-240V AC/DC (For DC + Terminal A1)
Type 62CV	Varistor + Green LED for 6-24V AC/DC (For DC + Terminal A1)
Type 92CV	Varistor + Green LED for 110-240V AC/DC (For DC + Terminal A1)
Type 102	Bypass Resistor 110-240V AC



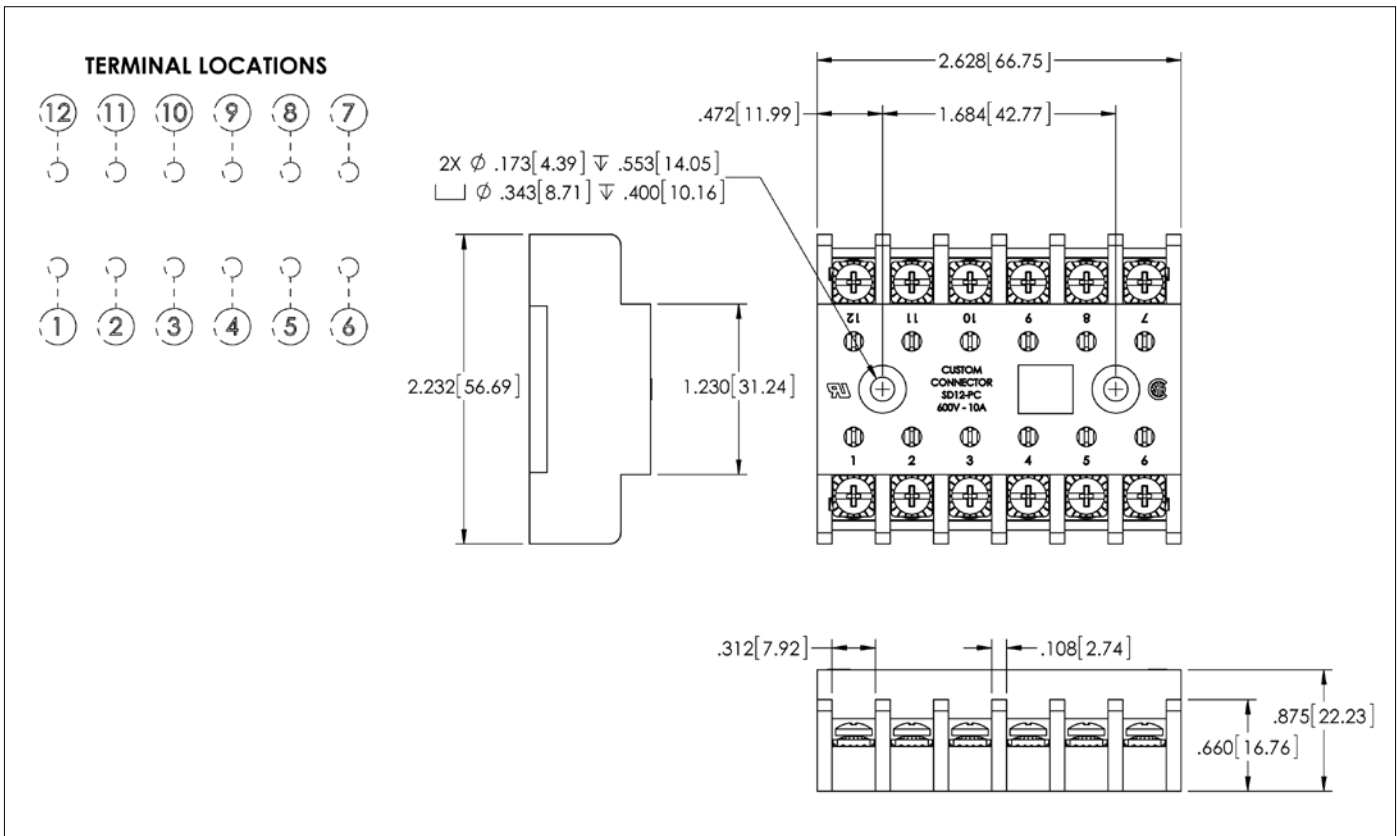


- Description** 12 Pin Heavy Duty Socket
- Electrical Rating** • SD12-PC - 600 Volts, 10 Amps
- Construction** **Contacts** • Brass, Nickel Plated  
**Screws** • Pressure Clamp, 6 - 32 x 5/16" Steel. Zinc plated, Wire Range #12 - #20 Solid or Stranded
- Molding** • Break Resistant Thermoplastic
- Agency Approvals** • UL recognized, File No. E60008  
 • CSA certified, File No. LR29513  
 • ROHS



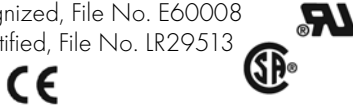
### SD Series Ordering Code

Part #	Description	Terminal Type
SD12-PC	12 Pin	Pressure Clamp Screws



# SS Series Relay Sockets

- Description** 8 and 11 Pin Square Base Sockets
- Electrical Rating**
- 300 Volts, 10 Amps
  - 150 Volts, 15 Amps
- Construction**
- Contacts** • Brass, Nickel Plated
- Screws** • Binder Head, 6 - 32 x 1/4" Steel, Zinc Plated  
• Pressure Clamp, 6 - 32 x 5/16" Steel, Zinc Plated, Wire Range #12 - #20 Solid or Stranded
- Molding** • Break Resistant Thermoplastic
- Agency Approvals**
- UL recognized, File No. E60008
  - CSA certified, File No. LR29513
  - CE
  - ROHS

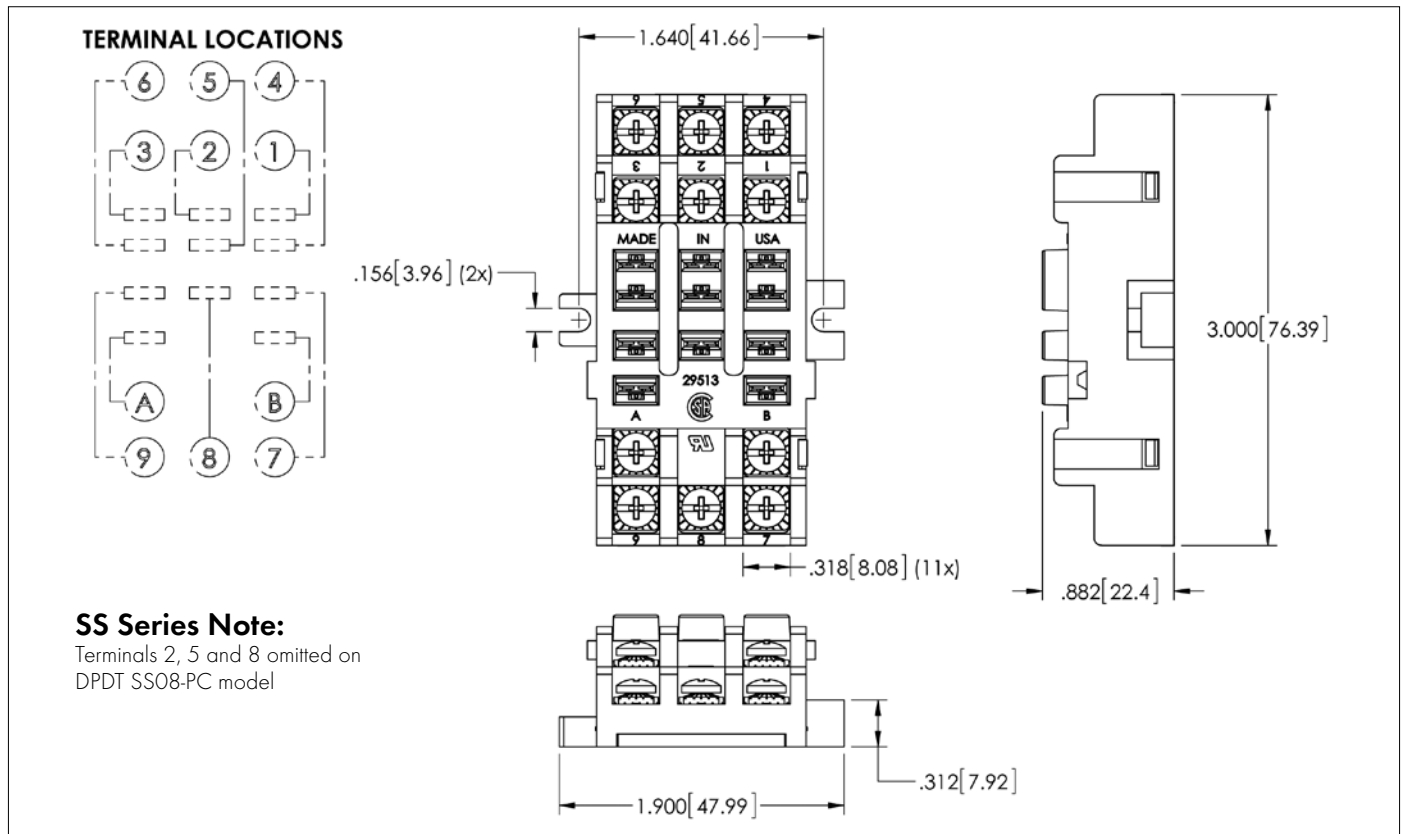


## SS Series Ordering Code

Part #	Description	Terminal Type
SS08-PC	DPDT, 8 Pin Square	Pressure Clamp Screws
SS11-PC	3PDT, 11 Pin Square	Pressure Clamp Screws

## Accessories

Part #	Description
	(Refer to the accessories pages 24-31)
HDB-8	Hold Down Spring





- Description** 8 and 11 Pin Octal Sockets
- Electrical Rating**
- RB08, RB08-PC - 600 Volts, 10 Amps
  - RB11, RB11-PC - 300 Volts, 10 Amps
- Construction**
- Contacts** • Brass, Nickel Plated
- Screws** • 6 - 32 x 5/16" Steel, Zinc plated; Pressure Clamp Wire Range #12 - #20 Solid or Stranded
- Molding** • Break Resistant Thermoplastic
- Agency Approvals**
- UL recognized, File No. E60008
  - CSA certified, File No. LR29513
  - ROHS



### RB Series Ordering Code

Part #	Description	Terminal Type
RB08	DPDT, 8 Pin Octal (Fig. 1)	Binder Head Screws
RB08-PC	DPDT, 8 Pin Octal (Fig. 1)	Pressure Clamp Screws
RB11	3PDT, 11 Pin Octal Style (Fig. 2)	Binder Head Screws
RB11-PC	3PDT, 11 Pin Octal Style (Fig.2)	Pressure Clamp Screws

TERMINAL LOCATIONS

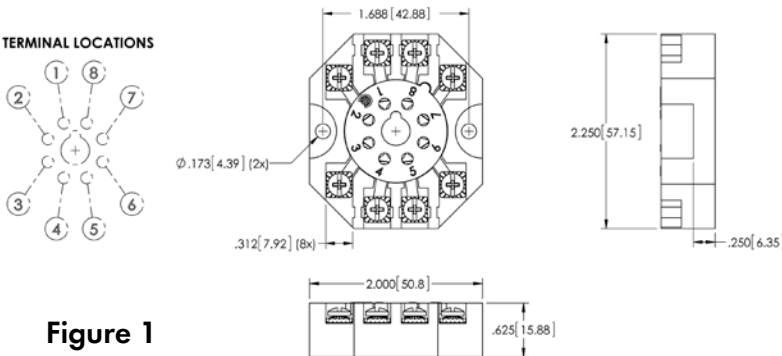


Figure 1

TERMINAL LOCATIONS

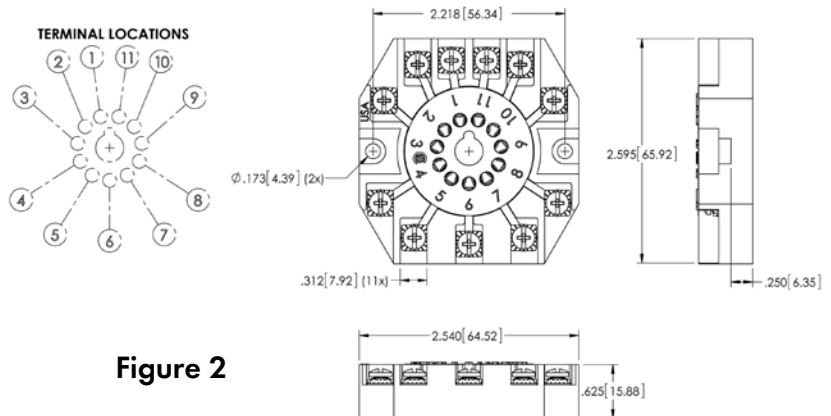
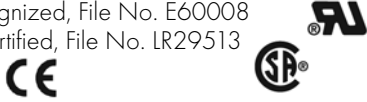


Figure 2



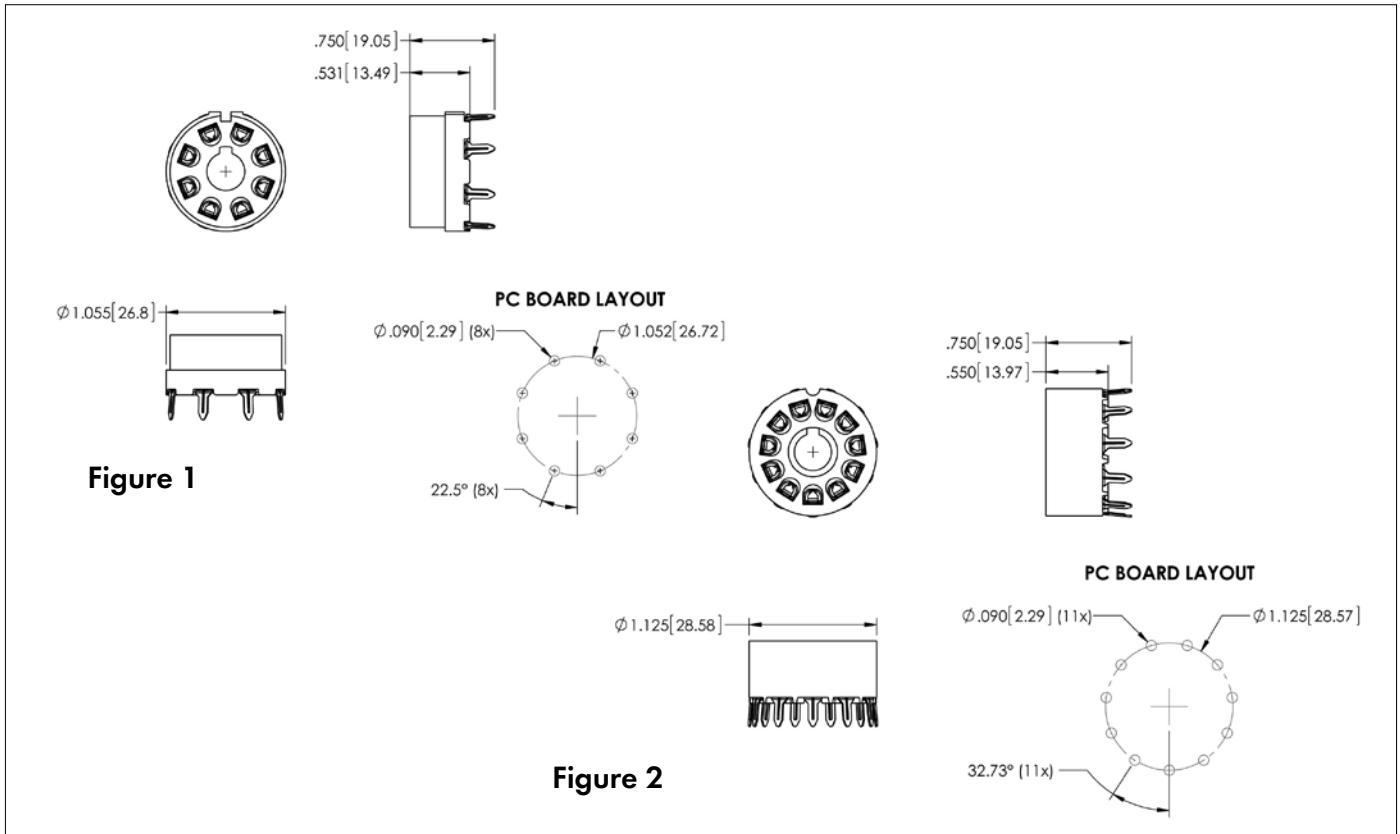
# OB Series Relay Sockets

- Description** 8 and 11 Pin Octal Sockets
- Electrical Rating** • 300 Volts, 10 Amps
- Construction** **Contacts** • Phosphor Bronze, Tin Plated  
**Molding** • Break Resistant Thermoplastic
- Agency Approvals** • UL recognized, File No. E60008  
 • CSA certified, File No. LR29513  
 • CE  
 • ROHS



## OB Series Ordering Code

Part #	Description	Terminal Type
OBO8-PCB	DPDT, 8 Pin Octal (Fig. 1)	PC Board
OB11-PCB	3PDT, 11 Pin Octal Style (Fig. 2)	PC Board



# Relay Sockets

# CM Series



- Description** 5, 8 and 11 Pin Square Base Sockets
- Electrical Rating**
- 300 Volts, 10 Amps
  - 150 Volts, 15 Amps
- Construction**
- Contacts** • Brass, Bright Tin Plated
- Molding** • Break Resistant Thermoplastic  
Black Standard, White Available
- Agency Approvals**
- UL recognized, File No. E60008
  - CSA certified, File No. LR29513
  - CE (\*)
  - ROHS

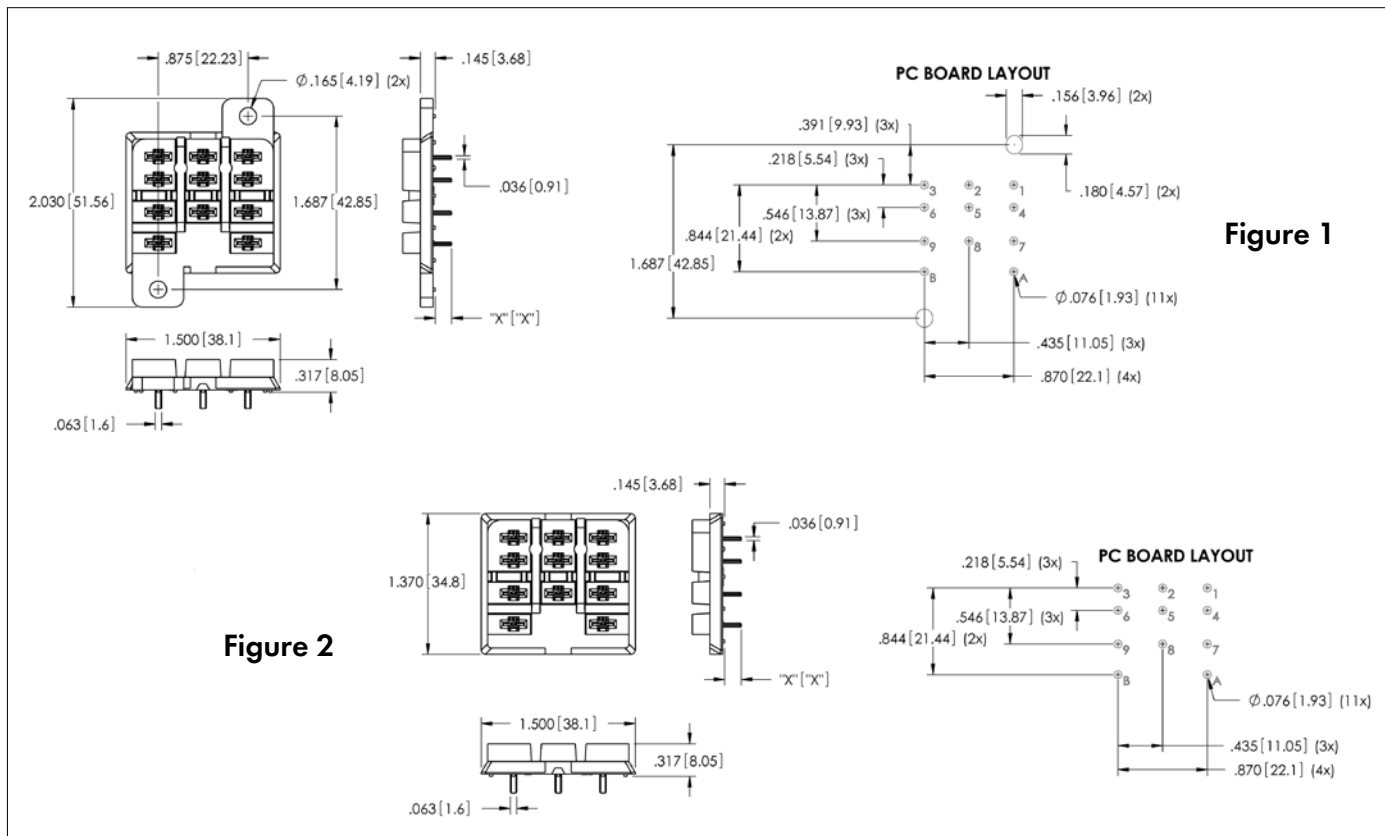


## CM Series Ordering Code

Part #	Description	Terminal Type
CM05-PCB-1S (*)	SPDT, 5 Pin Square, No Mount Ends (Fig. 2)	PC Board
CM05-PCB (*)	SPDT, 5 Pin Square (Fig. 1)	PC Board
CM05-LPCB-1S	SPDT, 5 Pin Square, No Mount Ends (Fig. 2)	Long PC Board
CM05-LPCB	SPDT, 5 Pin Square (Fig. 1)	Long PC Board
CM08-PCB-1S (*)	DPDT, 8 Pin Square, No Mount Ends (Fig. 2)	PC Board
CM08-PCB (*)	DPDT, 8 Pin Square (Fig. 1)	PC Board
CM08-LPCB-1S	DPDT, 8 Pin Square, No Mount Ends (Fig. 2)	Long PC Board
CM08-LPCB	DPDT, 8 Pin Square (Fig. 1)	Long PC Board
CM11-PCB1S (*)	3PDT, 11 Pin Square, No Mount Ends (Fig. 2)	PC Board
CM11-PCB (*)	3PDT, 11 Pin Square (Fig. 1)	PC Board
CM11-LPCB-1S	3PDT, 11 Pin Square, No Mount Ends (Fig. 2)	Long PC Board
CM11-LPCB	3PDT, 11 Pin Square (Fig. 1)	Long PC Board

## Accessories

Part #	Description
	(Refer to the accessories pages 24-31)
HDB-5	Hold Down Spring



# CM Series Relay Sockets

- Description** 5, 8 and 11 Pin Square Base Sockets
- Electrical Rating**
- 300 Volts, 10 Amps
  - 150 Volts, 15 Amps
- Construction**
- Contacts** • Brass, Bright Tin Plated
- Molding** • Break Resistant Thermoplastic  
Black Standard, White Available
- Agency Approvals**
- UL recognized, File No. E60008
  - CSA certified, File No. LR29513
  - CE
  - ROHS

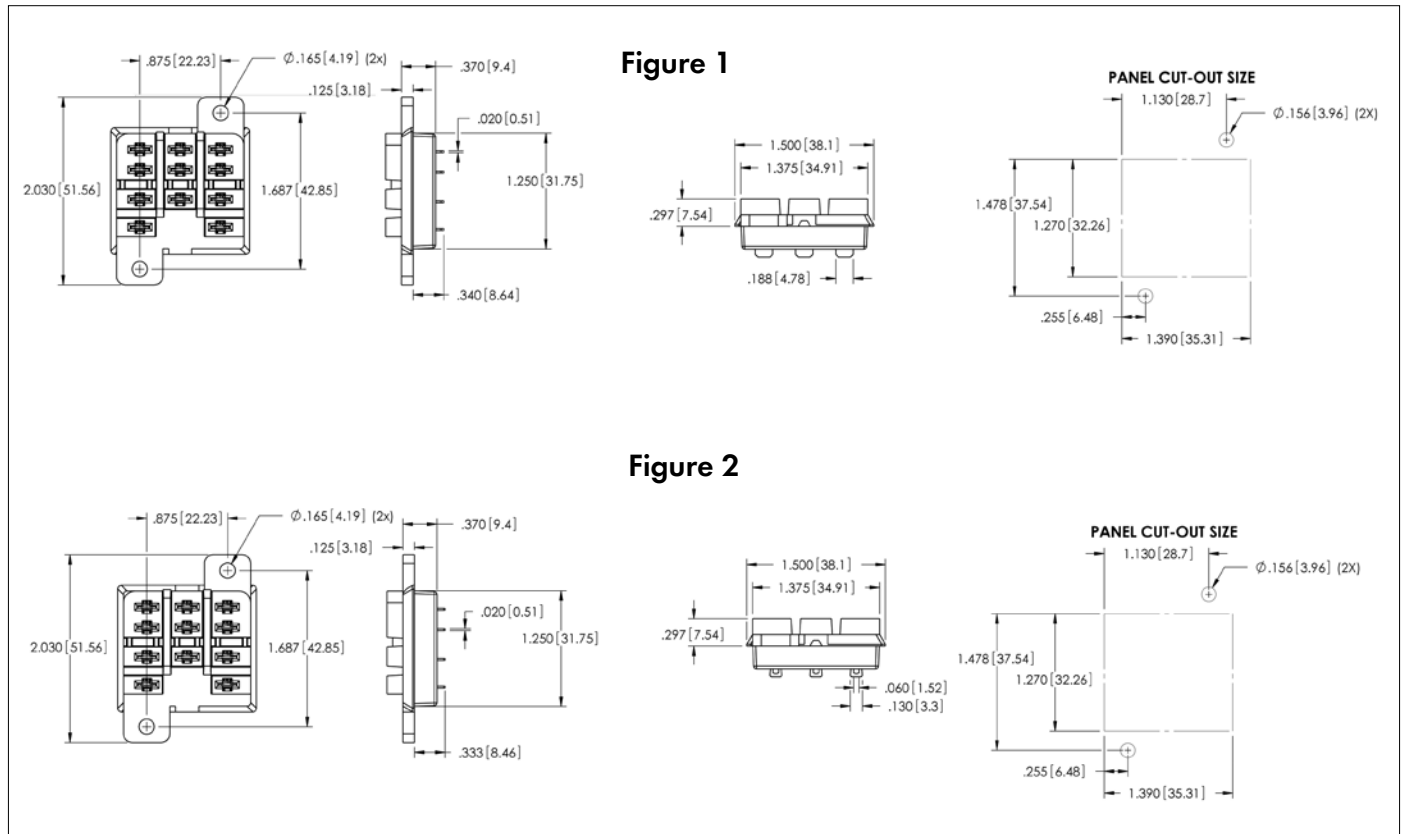


## CM Series Ordering Code

Part #	Description	Terminal Type
CM05-SLD	SPDT, 5 Pin Square (Fig. 2)	Solder
CM05-QDC	SPDT, 5 Pin Square (Fig. 1)	Quick Disconnect
CM08-SLD	DPDT, 8 Pin Square (Fig. 2)	Solder
CM08-QDC	DPDT, 8 Pin Square (Fig. 1)	Quick Disconnect
CM11-SLD	3PDT, 11 Pin Square (Fig. 2)	Solder
CM11-QDC	3PDT, 11 Pin Square (Fig. 1)	Quick Disconnect

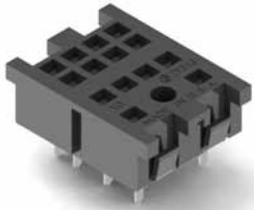
## Accessories

Part #	Description
(Refer to the accessories pages 24-31)	
HDB-5	Hold Down Spring



# Relay Sockets

## MR Series



- Description** 8 and 14 Pin Miniature Sockets
- Electrical Rating** • 300 Volts, 10 Amps
- Construction** **Contacts** • Brass, Bright Tin Plated  
**Molding** • Break Resistant Thermoplastic
- Agency Approvals** • UL recognized, File No. E60008  
• CSA certified, File No. LR29513  
• CE  
• ROHS

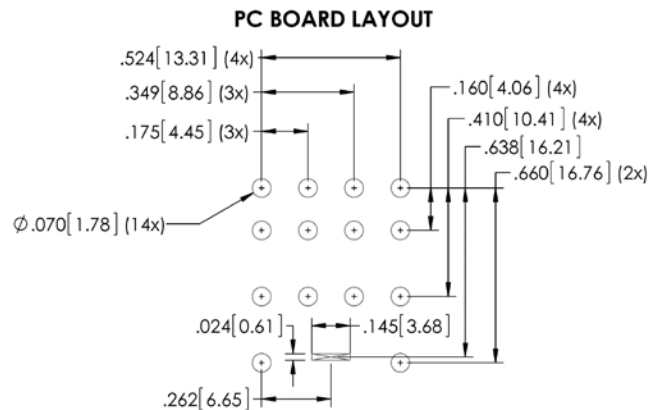
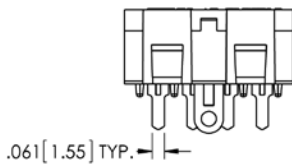
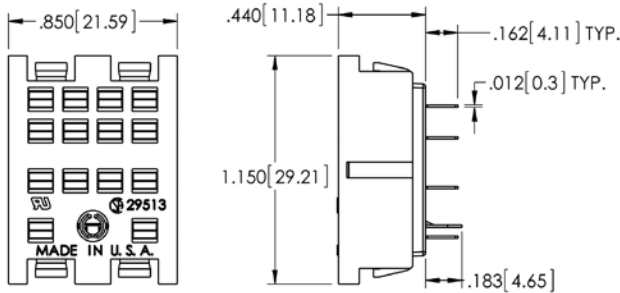


### MR Series Ordering Code

Part #	Description	Terminal Type
MR08-PCB	DPDT, 8 Pin Miniature	PC Board
MR08-PCB-1G	DPDT, 8 Pin Miniature	PC Board, Ground Lug Omitted
MR14-PCB	4PDT, 14 Pin Miniature	PC Board
MR14-PCB-1G	4PDT, 14 Pin Miniature	PC Board, Ground Lug Omitted

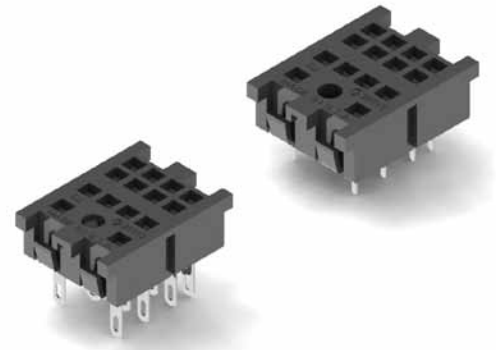
### Accessories

Part #	Description
(Refer to the accessories pages 24-31)	
HDB-4	Hold Down Spring
HDB-9	Hold Down Spring



# MR Series Relay Sockets

- Description** 8 and 14 Pin Miniature Sockets
- Electrical Rating** • 300 Volts, 10 Amps
- Construction** **Contacts** • Brass, Bright Tin Plated  
**Molding** • Break Resistant Thermoplastic
- Agency Approvals** • UL recognized, File No. E60008  
• CSA certified, File No. LR29513  
• CE (\*)   
• ROHS 

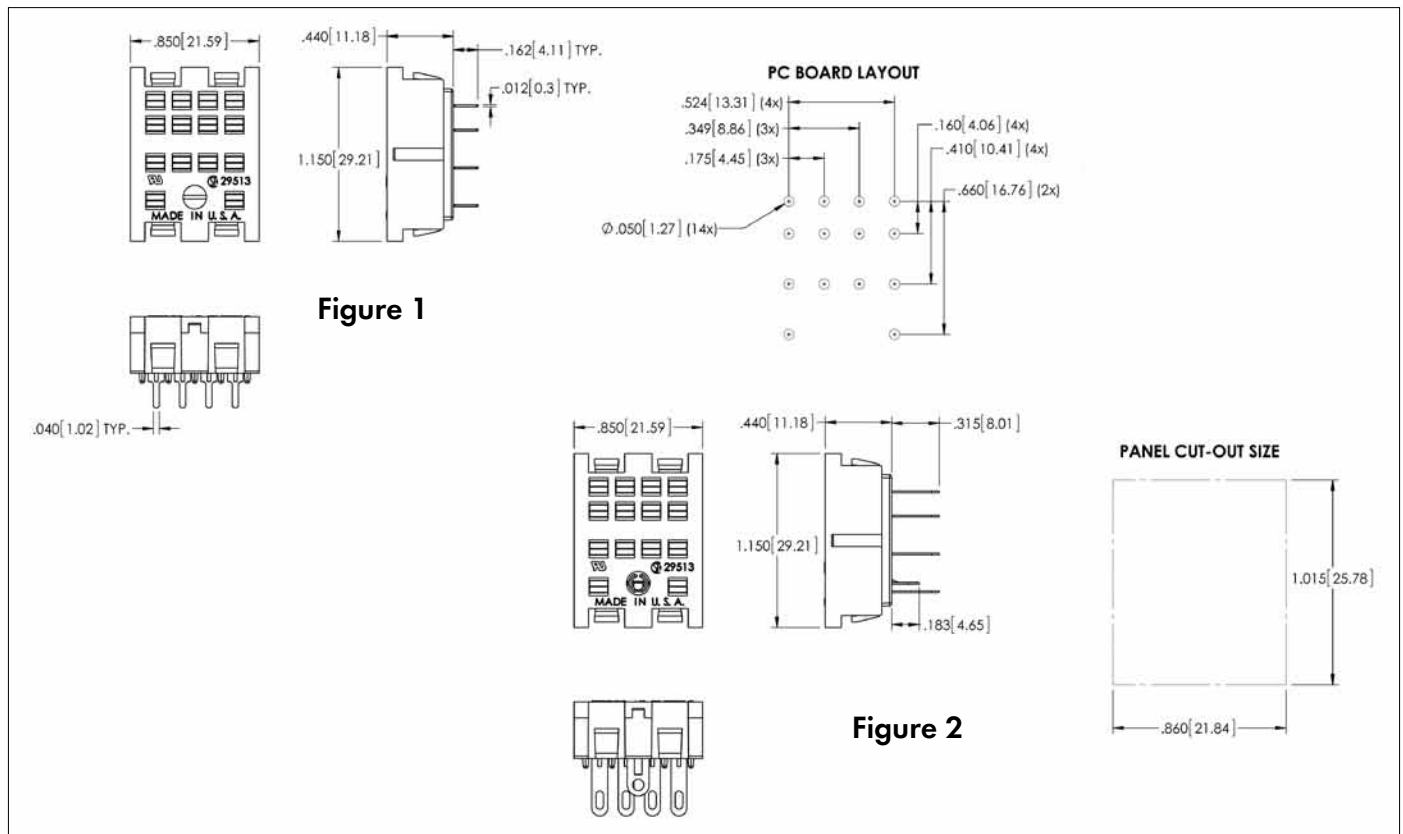


## MR Series Ordering Code

Part #	Description	Terminal Type
MR08-PCB-1G N	DPDT, 8 Pin Miniature (Fig.1)	PC Board
MR08-SLD (*)	DPDT, 8 Pin Miniature (Fig. 2)	Solder
MR08-SLD-1G (*)	DPDT, 8 Pin Miniature (Fig. 2)	Solder, Ground Lug Omitted
MR14-PCB-1G N	4PDT, 14 Pin Miniature (Fig. 1)	PC Board
MR14-SLD (*)	4PDT, 14 Pin Miniature (Fig. 2)	Solder
MR14-SLD-1G (*)	4PDT, 14 Pin Miniature (Fig. 2)	Solder, Ground Lug Omitted

## Accessories

Part #	Description
(Refer to the accessories pages 24-31)	
HDB-4	Hold Down Spring
HDB-9	Hold Down Spring





- Description** 8 Pin Midget Sockets
- Electrical Rating**
- 300 Volts, 10 Amps
  - 150 Volts, 15 Amps
- Construction**
- Contacts** • Brass, Nickel Plated
- Screws** • Binder Head, 6 - 32 x 1/4" Steel, Zinc Plated  
 • Pressure Clamp, 6 - 32 x 5/16" Steel  
 Zinc Plated, Wire Range #12 - #20 Solid or Stranded
- Molding** • Break Resistant Thermoplastic  
 Black Standard, Grey Available
- Agency Approvals**
- UL recognized, File No. E60008
  - CSA certified, File No. LR29513
  - CE
  - ROHS

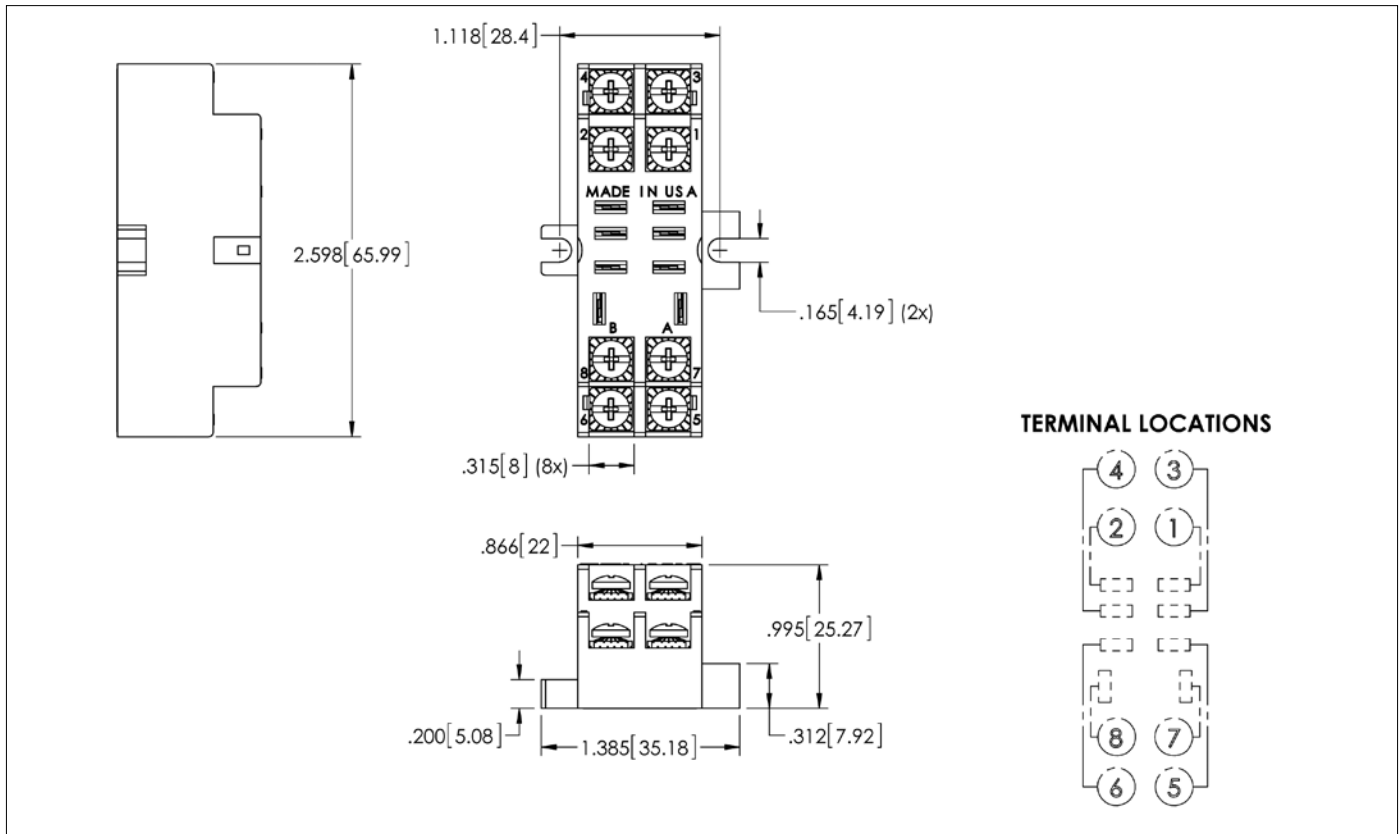


### GR Series Ordering Code

Part #	Description	Terminal Type
GR108	DPDT, 8 Pin Midget	Binder Head Screws
GR108-PC	DPDT, 8 Pin Midget	Pressure Clamp Screws

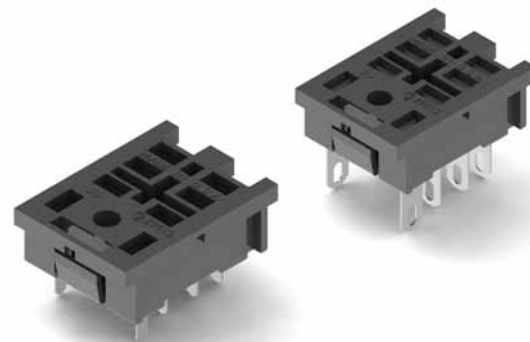
### Accessories

Part #	Description
	(Refer to the accessories pages 24-31)
HDB-4	Hold Down Spring



# GR Series Relay Sockets

- Description** 5 and 8 Pin Midget Sockets
- Electrical Rating** • 300 Volts, 10 Amps
- Construction** **Contacts** • Brass, Bright Tin Plated  
**Molding** • Break Resistant Thermoplastic
- Agency Approvals** • UL recognized, File No. E60008  
• CSA certified, File No. LR29513  
• CE  
• ROHS



## GR Series Ordering Code

Part #	Description	Terminal Type
GR105-PCB	SPDT, 5 Pin Midget (Fig.1)	PC Board
GR105-SLD	SPDT, 5 Pin Midget (Fig. 2)	Solder
GR108-PCB	DPDT, 8 Pin Midget (Fig. 1)	PC Board
GR108-SLD	DPDT, 8 Pin Midget (Fig. 2)	Solder

## Accessories

Part #	Description
(Refer to the accessories pages 24-31)	
HDB-4	Hold Down Spring
HDB-9	Hold Down Spring

Figure 1

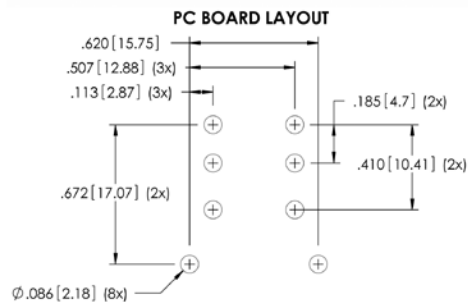
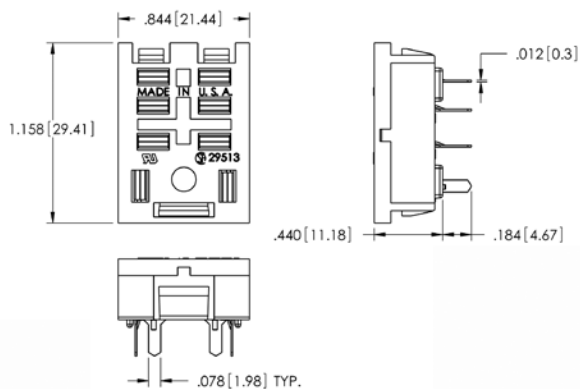
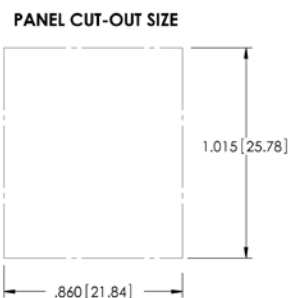
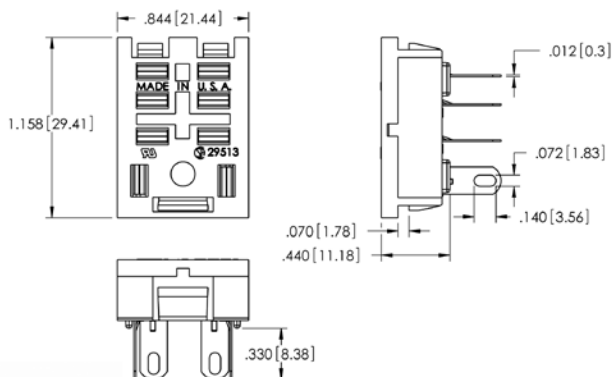


Figure 2



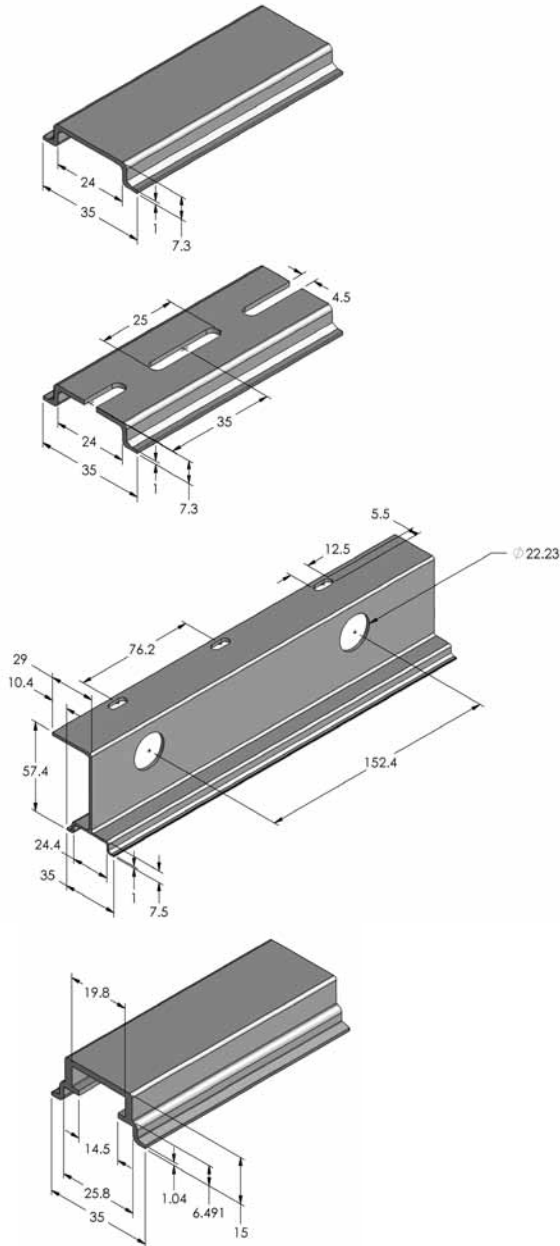
**Description**

Aluminum DIN Rails

**Construction**

Extrusion Grade Aluminum

**Agency Approvals** • ROHS



Part #	Description
C-103-M	Unpunched 1 Meter

Part #	Description
C-103-PM	Prepunched 1 Meter

Part #	Description
C-108-PM	Prepunched Raised 1 Meter
C-108-2PM	Prepunched Raised 2 Meter

Part #	Description
C-112-2M	Unpunched 2 Meter

Rails may be supplied precut in standard lengths or to customer specifications. Please consult factory.



## Description

Steel DIN Rails

## Construction

Roll Formed Steel, Galvanic Zinc Plating and Passivation  
(Stainless Steel for C-106-2SPM)

**Agency Approvals**

- European Standard EN 60715
- ROHS

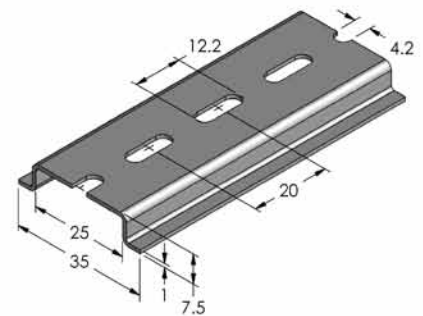
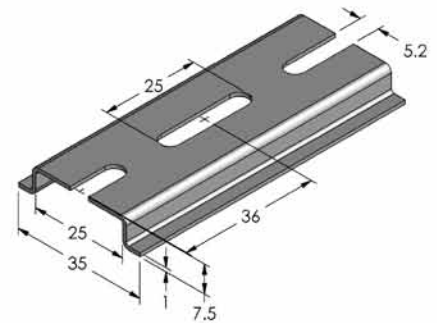
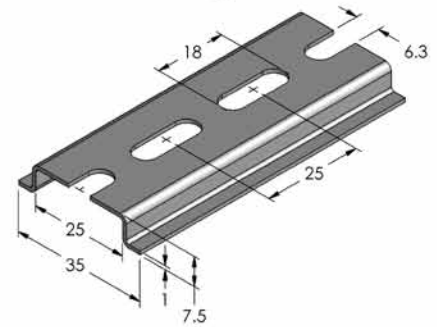
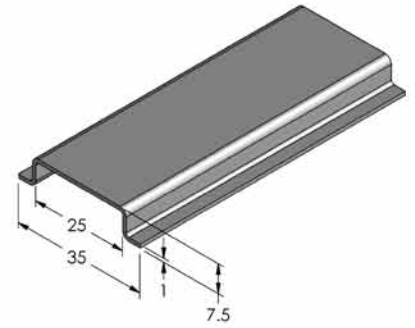
Part #	Description
C-106-2M	Unpunched 2 Meter

Part #	Description
C-106-PM	Prepunched 1 Meter
C-106-2PM	Prepunched 2 Meter
C106-2SPM	Prepunched Stainless 2 Meter

Part #	Description
C-106-2PM-B	Prepunched 2 Meter

Part #	Description
C-106-2PM-C	Prepunched 2 Meter

Rails may be supplied precut in standard lengths or to customer specifications.  
Please consult factory.



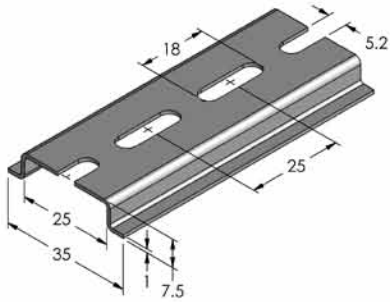
**Description**

Steel DIN Rails

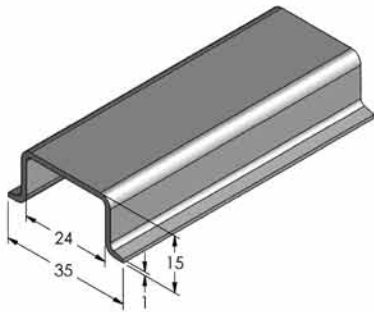
**Construction**

Roll Formed Steel, Galvanic Zinc Plating and Passivation

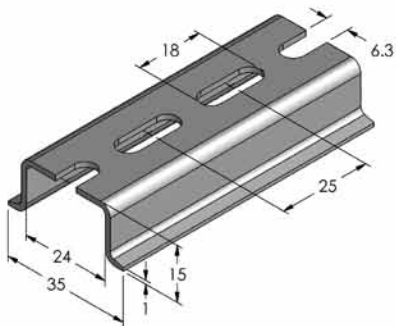
**Agency Approvals** • European Standard EN 60715  
• ROHS



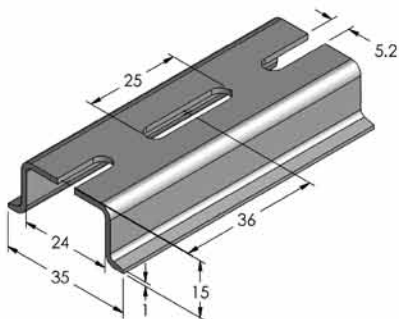
Part #	Description
C-104-PM	Prepunched 1 Meter



Part #	Description
C-105-2M	Unpunched 2 Meter



Part #	Description
C-105-PM	Prepunched 1 Meter
C-105-2PM	Prepunched 2 Meter



Part #	Description
C-105-2PM-B	Prepunched 2 Meter

Rails may be supplied precut in standard lengths or to customer specifications. Please consult factory.

## Description

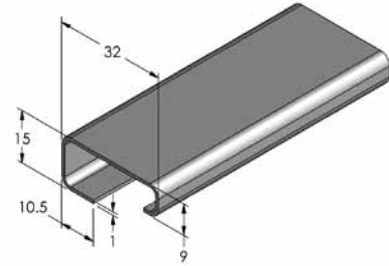
Steel DIN Rails

## Construction

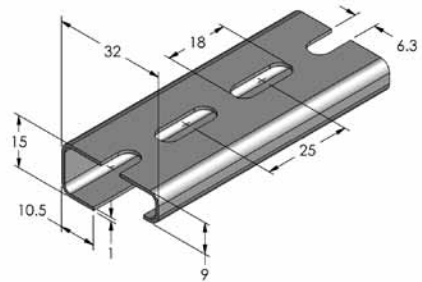
Roll Formed Steel, Galvanic Zinc Plating and Passivation

**Agency Approvals** • European Standard EN 60715  
• ROHS

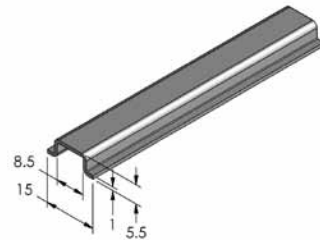
Part #	Description
C-109-2M	Unpunched 2 Meter



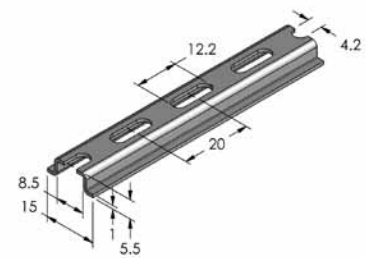
Part #	Description
C-109-2PM	Prepunched 2 Meter



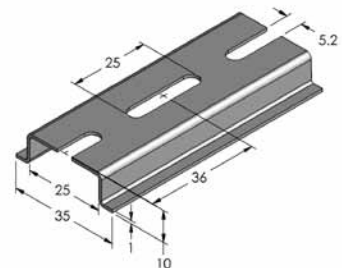
Part #	Description
C-110-2M	Unpunched 2 Meter



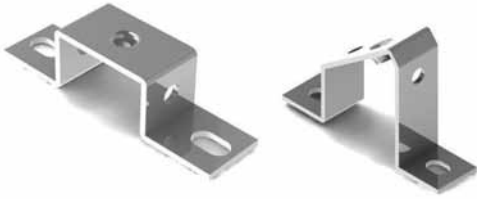
Part #	Description
C-110-2PM	Prepunched 2 Meter



Part #	Description
C-111-2PM-B	Prepunched 2 Meter



Rails may be supplied precut in standard lengths or to customer specifications. Please consult factory.



**Description**

DIN Rail Support Brackets

**Construction**

Steel, Galvanic Zinc Plating and Passivation

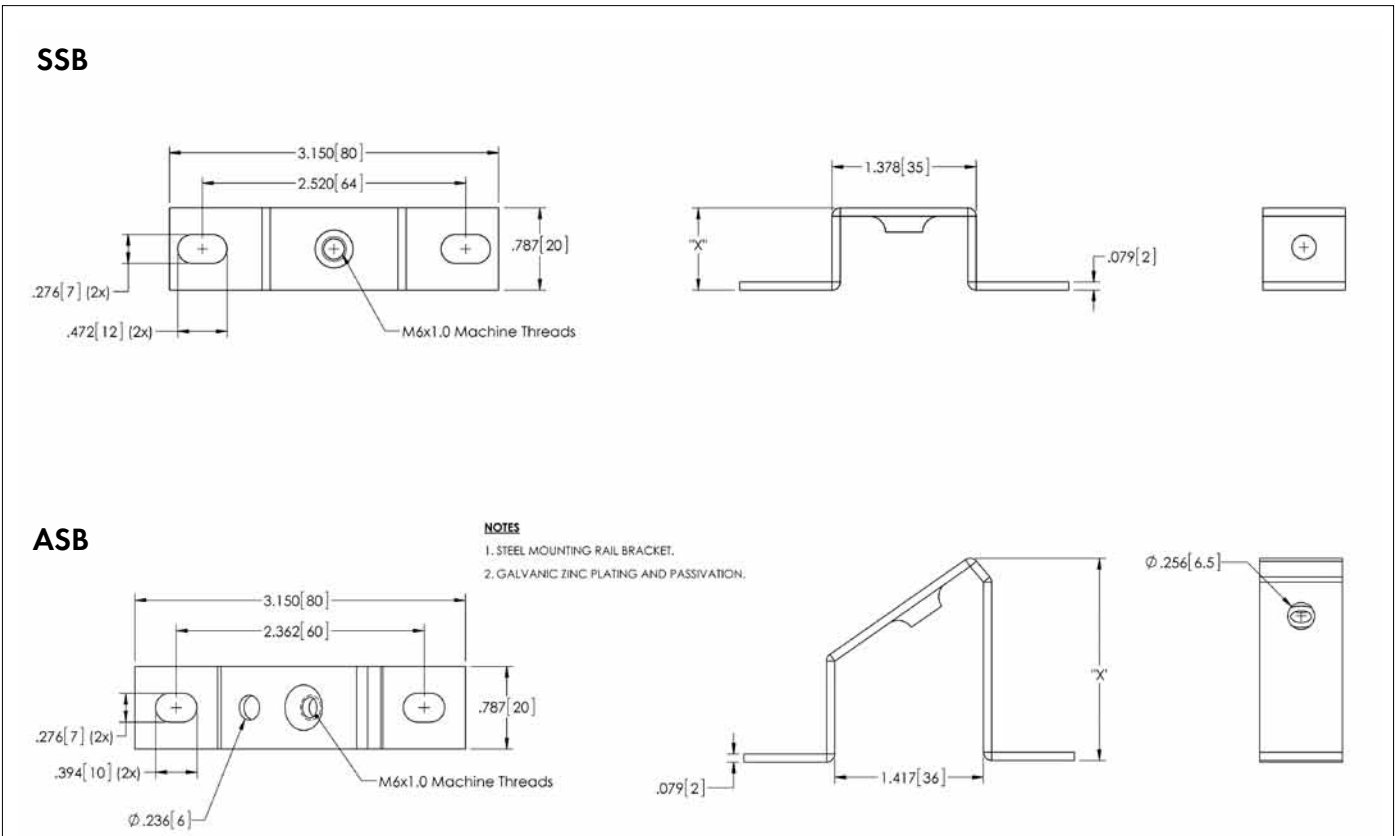
**Agency Approvals** • ROHS

**SSB DIN Rail Support Brackets Ordering Code**

Part #	Dimensions X in. (mm)
SSB20-M6	.787 (20.00)
SSB25-M6	.984 (25.00)
SSB30-M6	1.181 (30.00)
SSB40-M6	1.575 (40.00)
SSB50-M6	1.969 (50.00)
SSB70-M6	2.756 (70.00)
SSB90-M6	3.543 (90.00)

**ASB DIN Rail Support Brackets Ordering Code**

Part #	Dimensions X in. (mm)
ASB49-M6	1.929 (49.00)
ASB58-M6	2.283 ( 58.00)
ASB68-M6	2.677 (68.00)
ASB78-M6	3.071 ( 78.00)
ASB88-M6	3.465 (88.00)
ASB98-M6	3.858 (98.00)



# Hold Down Springs DIN Rails & Accessories

## Description

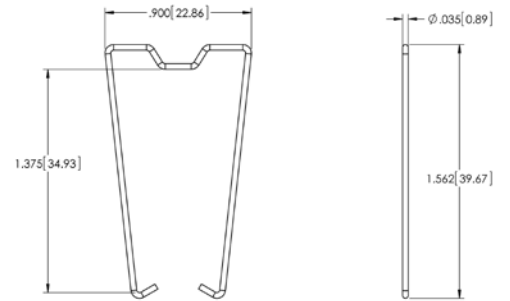
Relay Hold Down Springs

## Construction

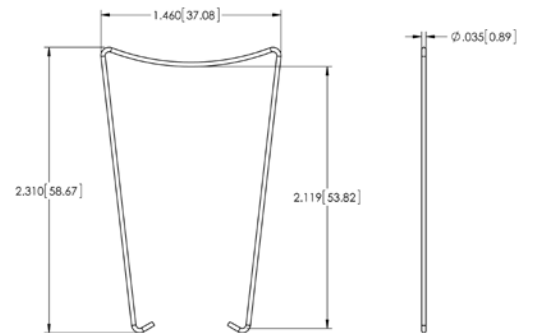
Stainless Steel

Agency Approvals • ROHS

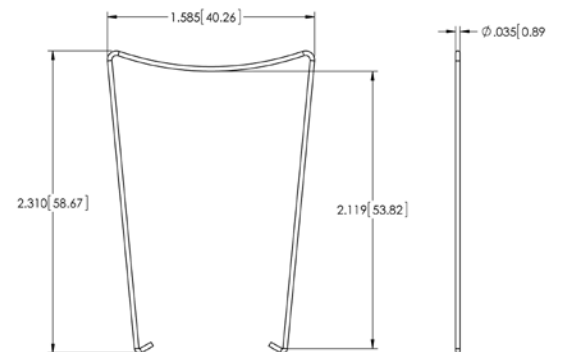
Part #	Description
HDB-4	For GR, GT, MR and MT Series Relay Sockets



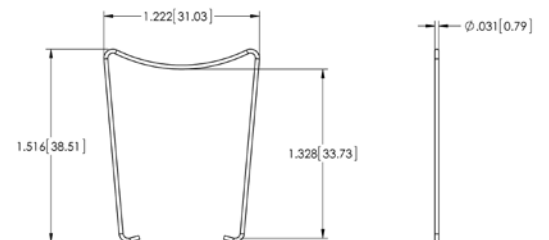
Part #	Description
HDB-5	For CM Series Relay Sockets



Part #	Description
HDB-8	For SS and ST Series Relay Sockets



Part #	Description
HDB-9	For GR108-PCB, GR108-SLD and MR Series Relay Sockets



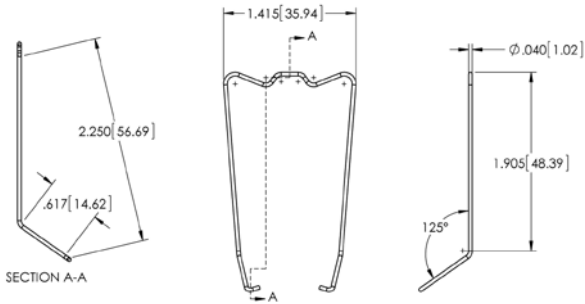
### Description

Relay Hold Down Springs, DIN Rail Mounting Clamps

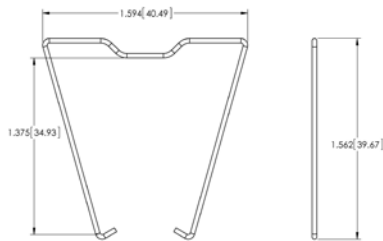
### Construction

Hold Down Springs - Stainless Steel, DIN rail mounting Clamps - Nickel Plated Steel

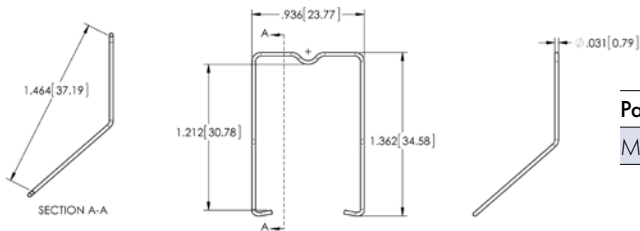
Agency Approvals • ROHS



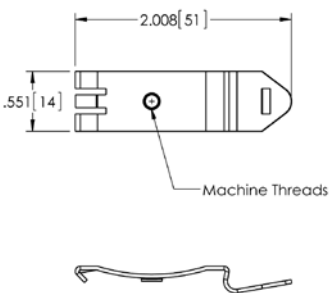
Part #	Description
HDB-13	For ES8 and ES11



Part #	Description
HDB-19	For GT14-PC



Part #	Description
MHO	For ES15/4B, 4S, ES15/2N, 3N, 4N



Part #	Description
RMC-M4	DIN rail mounting clamp - allows non DIN mount devices to be installed on 35mm DIN rails. M4 threaded hole.

Part #	Description
RMC-M5	DIN rail mounting clamp - allows non DIN mount devices to be installed on 35mm DIN rails. M5 threaded hole.

## Description

Relay hold down springs/ejectors

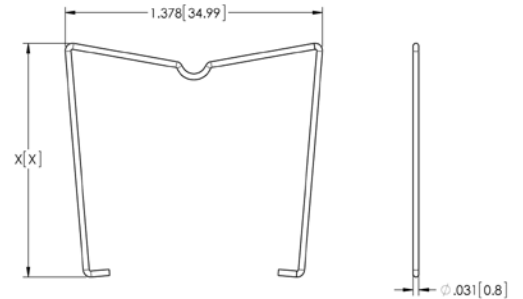
## Construction

MH series stainless steel

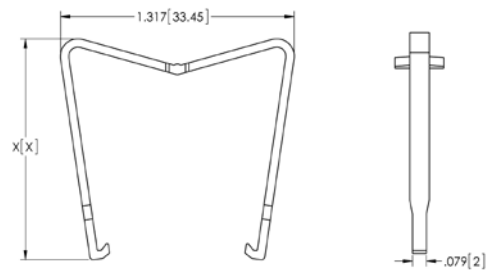
MP, MS series break resistant thermoplastic

Agency Approvals • ROHS

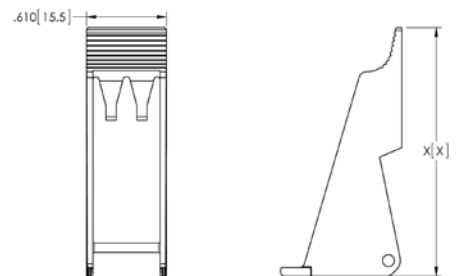
Part #	Description	Dimensions X in. (mm)
MH12-2	For EC series, 12mm high relays	.742 (18.85)
MH16-2	For EC series, 16mm high relays	.852 (21.66)
MH25-2	For EC series, 25mm high relays	1.247 (31.66)



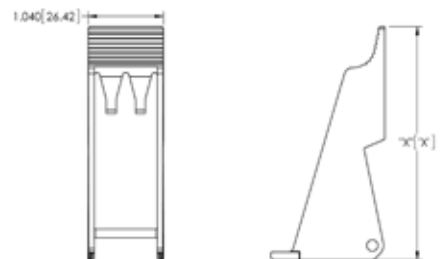
Part #	Description	Dimensions X in. (mm)
MP12-2	For EC series, 12mm high relays	.787 (19.99)
MP16-2	For EC series, 16mm high relays	.897 (22.79)
MP-25-2	For EC series, 25mm high relays	1.245 (31.63)



Part #	Description	Dimensions X in. (mm)
MS12	For ES35, ES50, ES50/3, 12mm high relays	1.381 (35.08)
MS16	For ES35, ES50, ES50/3, 16mm high relays	1.525 (38.74)
MS25	For ES35, ES50, ES50/3, 25mm high relays	1.89 (48)

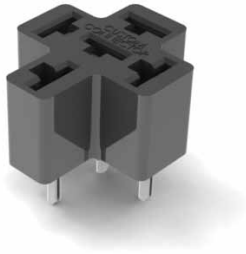


Part #	Description	Dimensions X in. (mm)
MS35	For ES15/2N, 3N, ES15/4B, 4N, 4S	2.323 (59)



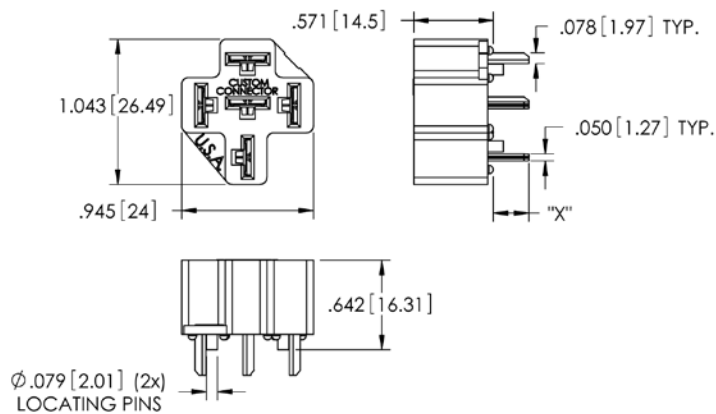
## BR Series

- Description** Mini ISO Automotive Relay Sockets
- Construction**
- Contacts** • Brass, Bright Tin Plated
  - Molding** • Heat Stabilized Thermoplastic, 140 degrees C Continuous Use Temperature Rating
- Agency Approvals** • ROHS



### BR Series Ordering Code

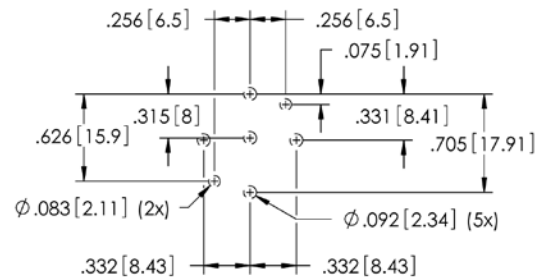
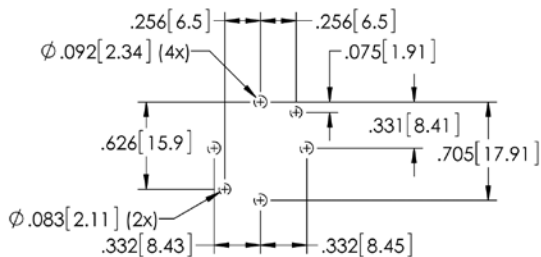
Part #	Description	Terminal Type
BRO4-PCB-0	4 Pin Socket (Fig. 1)	PC Board
BRO4-SPCB	4 Pin Socket (Fig. 1)	PC Board
BRO5-PCB	5 Pin Socket (Fig. 2)	PC Board
BRO5-PCB-1P	5 Pin Socket without locating Pins (Fig. 2)	PC Board
BRO5-SPCB	5 Pin Socket (Fig. 2)	PC Board
BRO5-SPCB-1P	5 Pin Socket without locating Pins (Fig. 2)	PC Board



**BR Series Note:**  
 SPCB models X = .149" (3.78)  
 PCB models X + .234" (5.94)

Figure 1

Figure 2

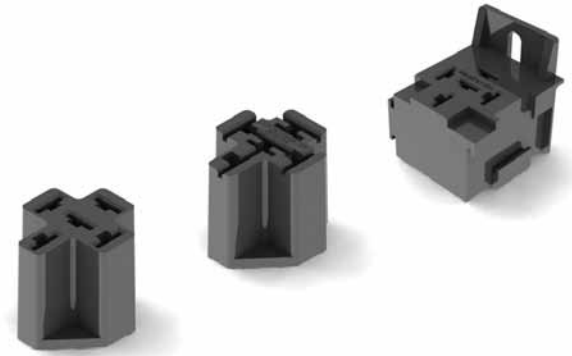




# BR Series

# Automotive Relay Sockets & Connectors

- Description** Mini ISO Automotive Relay Sockets
- Construction** *Molding* • Heat Stabilized Thermoplastic, 140 degrees C Continuous Use Temperature Rating
- Agency Approvals** • ROHS



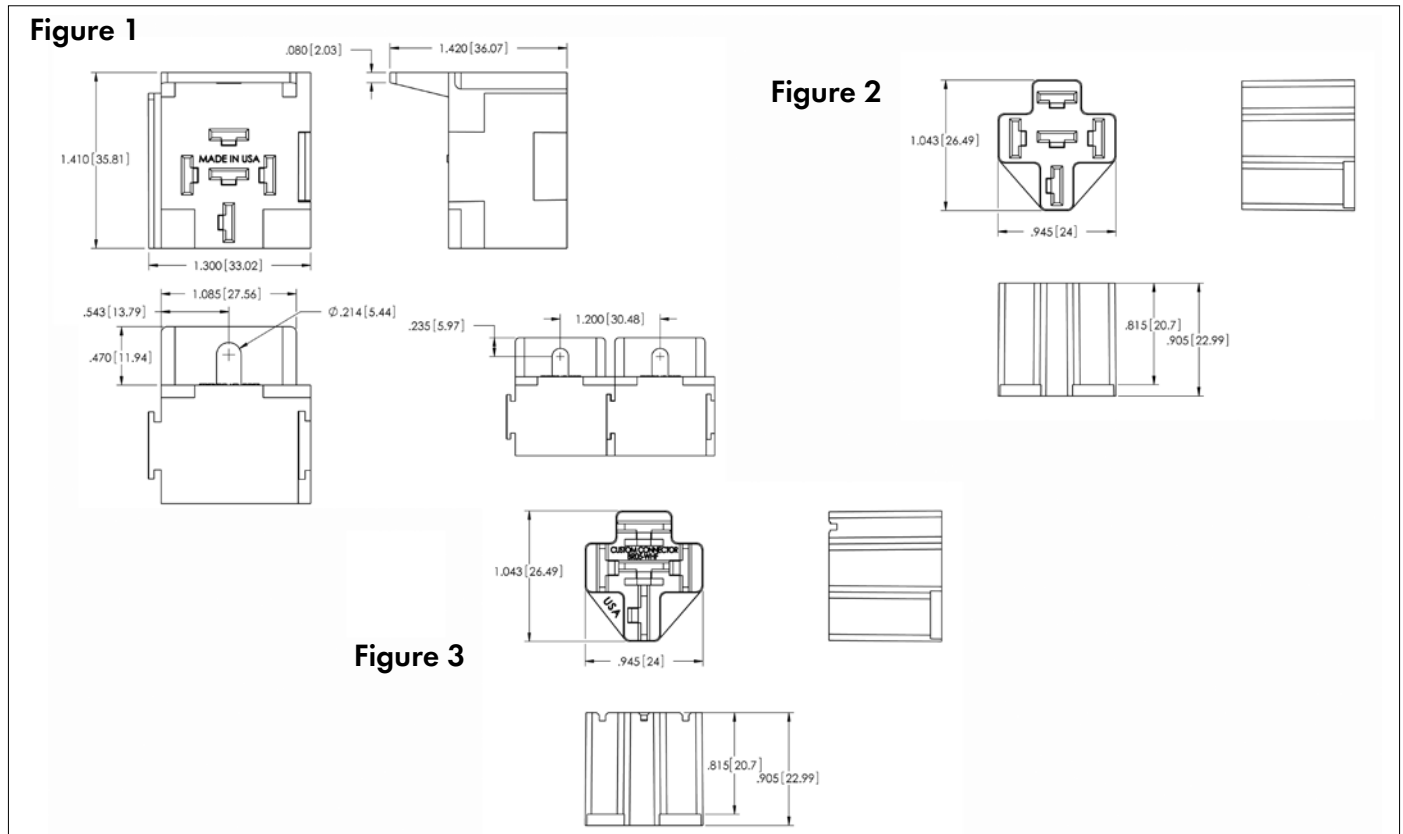
## BR Series Ordering Code

Part #	Description	Terminal Type
BR05-FW	5 Pin connector with mounting bracket for wire harnessing (Fig. 1)	Crimp
BR05-WH	5 Pin connector without mounting bracket for wire harnessing (Fig. 2)	Crimp
BR05-WHF	5 Pin connector for relay or flasher without mounting bracket for wire harnessing (Fig. 3)	Crimp

## Terminal Compatibility Chart

Custom Connector Corporation recommends the following terminals to be used in conjunction with our BR Series relay socket series. All Parts listed below need to be purchased separately.

Order From	Part #	AWG	Blade
TE Connectivity	42100	14-18	1/4"
TE Connectivity	42281	14-18	1/4"
TE Connectivity	42904	12-16	1/4"
TE Connectivity	60249	12-16	1/4"
TE Connectivity	60253	12-14	1/4"



## BR Series



- Description** Mini ISO Weatherproof Automotive Relay Sockets
- Construction**
- Molding** • Heat Stabilized Thermoplastic, 140 degrees C Continuous Use Temperature Rating
  - Gasket** • High Temperature Silicone Rubber
  - Wire Seals** • High Temperature Silicone Rubber
- Agency Approvals**
- ROHS
  - IP67
- Testing Passed**
- **Dust Exposure** SAE J1455 Sect. 4.7, IEC 60529 Sect. 13.4 & 13.6
  - **Salt Spray** ASTM B117-07
  - **Water Immersion** IEC 60529 Sect. 14.2.7
  - **Fluids Compatibility** SAE J1455 Sect. 4.7, Engine Oil, Brake Fluid, Washer Solvent, Gasoline, Diesel Fuel

### BR Series Ordering Code

Part #	Description	Terminal Type
BR05-WP	5 Pin weatherproof connector for wire harnessing	Crimp
312X06-LO	Orange Wire Seal for 18 ga Wire	
312X09-L	Grey Wire Seal for 14-16 ga Wire	
312X13-LY	Yellow Wire Seal for 12 ga Wire	
312XP	Grey Plug for use in 1 Form A Open Circuit Applications	

### Terminal Compatibility Chart

Custom Connector Corporation recommends the following terminals to be used in conjunction with our BR Series relay socket series. All Parts listed below need to be purchased separately.

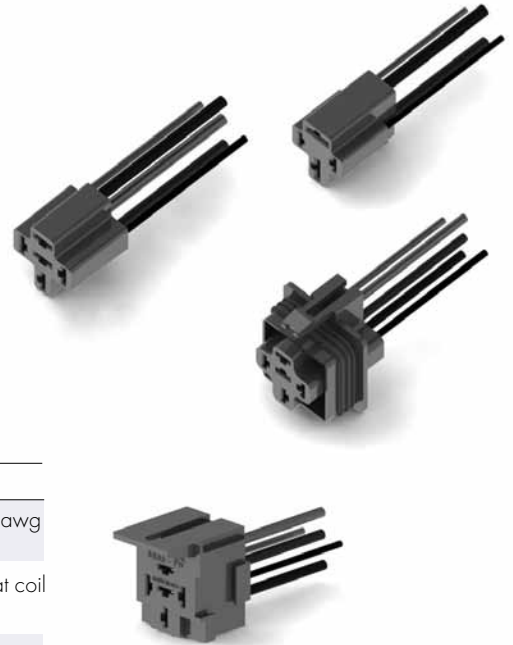
Order From	Part #	AWG	Blade
TE Connectivity	60253	12-16 ga	1/4"
TE Connectivity	42100	14-18 ga	1/4"

Technical drawings showing dimensions for the BR Series connector:

- Top view: 1.400 [35.56] x 1.400 [35.56]
- Side view: 1.180 [29.97] height, .400 [10.16] width
- Terminal spacing: .400 [10.16]
- Terminal diameter:  $\phi .330$
- Terminal width:  $\phi .330$
- Terminal length: Z

Part Number	"X"	"Y"	"Z"	Color
312x06-LO	0.060	0.150	0.429	Orange
312x09-L	0.090	0.190	0.396	Grey
312x13-LY	0.130	0.230	0.376	Yellow
312xP	N/A	N/A	0.353	Grey

- Description** Pre-Wired Automotive Relay Harness Assemblies
- Construction**
- Molding** • Heat Stabilized Thermoplastic, 140 degrees C Continuous Use Temperature Rating
  - Terminals** • Brass, Tin Plated
  - Wire Seals/Gaskets** • (WP Models Only), High Temperature Silicone Rubber
  - Wire** • GXL Insulated
- Agency Approvals** • ROHS

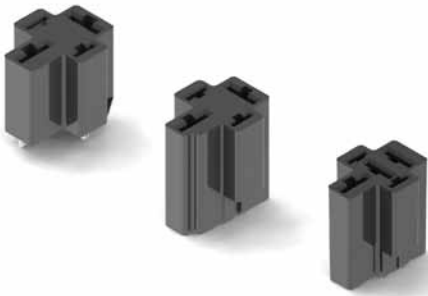


**PW Series Ordering Code**

Part #	Description
PW-BR05-FW-00004	SPDT, 12" wire leads, 14 awg at load contacts 30, 87 and 87a, 18 awg at coil contacts 85 and 86. See BR05-FW connector - page 33.
PW-BR05-FW-00005	SPST, 12" wire leads, 14 awg at load contacts 30 and 87, 18 awg at coil contacts 85 and 86. See BR05-FW connector - page 33.
PW-BR05-WH-00004	SPDT, 12" wire leads, 14 awg at load contacts 30, 87 and 87a, 18 awg at coil contacts 85 and 86. See BR05-WH connector - page 33.
PW-BR05-WH-00005	SPST, 12" wire leads, 14 awg at load contacts 30 and 87, 18awg at coil contacts 85 and 86. See BR05-WH connector - page 33.
PW-BR05-WP-00004	SPDT, 12" wire leads, 14 awg at load contacts 30, 87 and 87a, 18awg at coil contacts 85 and 86. See BR05-WP connector - page 34.
PW-BR05-WP-00005	SPST, 12" wire leads, 14 awg at load contacts 30 and 87, 87a sealed, 18 awg at coil contacts 85 and 86. See BR05-WP connector - page 34.
PW-PR05-WH-00004	SPDT, 12" wire leads, 10 awg at load contacts 30, 87 and 87a, 18 awg at coil contacts 85 and 86. See PR05-WH connector - page 36.
PW-PR04-WH-00005	SPST, 12" wire leads, 10 awg at load contacts 30 and 87, 18 awg at coil contacts 85 and 86. See PR04-WH connector - page 36.

# Automotive Relay Sockets & Connectors

## PR Series



**Description**  
**Construction**

Maxi ISO Automotive Relay Sockets

- Contacts** • SPCB Model, Brass, Bright Tin Plated  
**Molding** • Heat Stabilized Thermoplastic, 140 degrees C Continuous Use Temperature Rating

**Agency Approvals** • ROHS

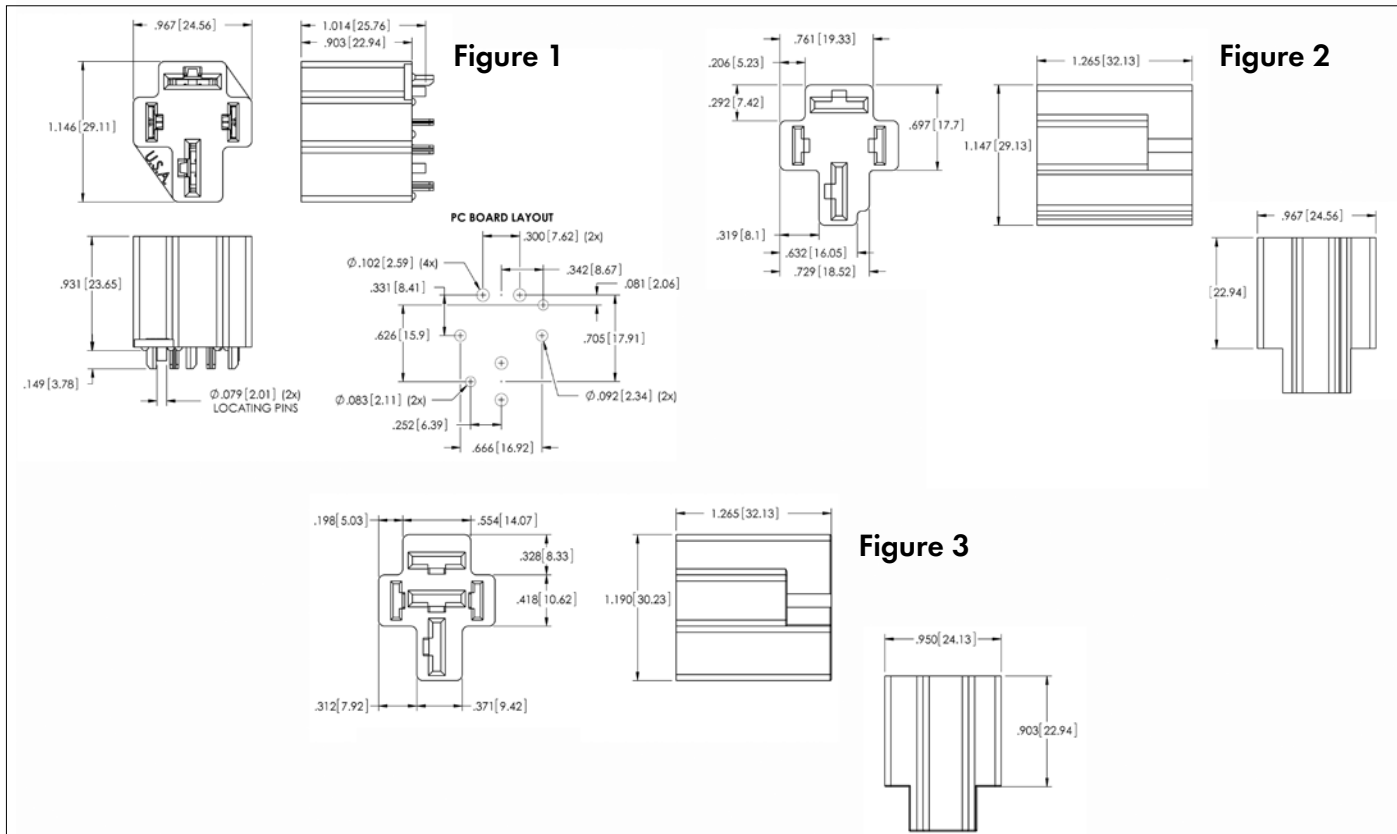
### PR Series Ordering Code

Part #	Description	Terminal Type
PRO4-SPCB	4 Pin Socket (Fig. 1)	PC Board
PRO4-WH	4 Pin Connector for Wire Harnessing (Fig. 2)	Crimp
PRO5-WH	5 Pin Connector for Wire Harnessing (Fig. 3)	Crimp

### Terminal Compatibility Chart

Custom Connector Corporation recommends the following terminals to be used in conjunction with our PR Series relay socket series. All Parts listed below need to be purchased separately.

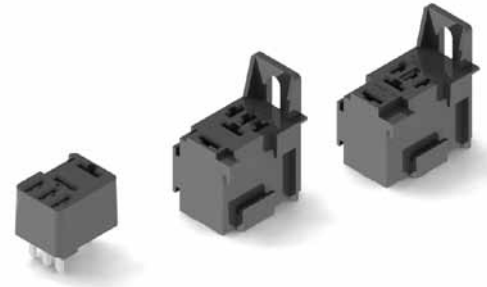
Order From	Part #	AWG	Blade
TE Connectivity	42100	14-18	1/4"
TE Connectivity	42281	14-18	1/4"
TE Connectivity	42904	12-16	1/4"
TE Connectivity	60249	12-16	1/4"
TE Connectivity	60253	12-141	1/4"
TE Connectivity	280756	10-12	3/8"



www.CustomConnector.com | sales@customconnector.com

Phone (216) 241-1679 | Fax (216) 241-5529

- Description** Micro ISO Automotive Relay Sockets
- Construction**
- Contacts** • PCB and SPCB Models, Brass, Bright Tin Plated
  - Molding** • Heat Stabilized Thermoplastic, 140 degrees C Continuous Use Temperature Rating
- Agency Approvals** • ROHS



## VR Series Ordering Code

Part #	Description	Terminal Type
VR04-PCB-0	4 Pin Socket (Fig. 1)	PC Board
VR04-SPCB-0	4 Pin Socket (Fig. 1)	PC Board
VR05-PCB	5 Pin Socket (Fig. 2)	PC Board
VR05-SPCB	5 Pin Socket (Fig. 2)	PC Board
VR05-FW	5 Pin Connector for Wire Harnessing (Fig. 3)	Crimp (see chart)
VR05-LFW	5 Pin Connector for Wire Harnessing (Fig. 4)	Crimp (see chart)

## Terminal Compatibility Chart

Custom Connector Corporation recommends the following terminals to be used in conjunction with our VR Series relay socket series. All Parts listed below need to be purchased separately.

Order From	Part #	AWG	Blade
TE Connectivity	42100	14-18	1/4"
TE Connectivity	42281	14-18	1/4"
TE Connectivity	42904	12-16	1/4"
TE Connectivity	60249	12-16	1/4"
TE Connectivity	60253	12-14	1/4"
TE Connectivity	281197	13-17	3/16"
TE Connectivity	282180	15-20	3/16"

Figure 3

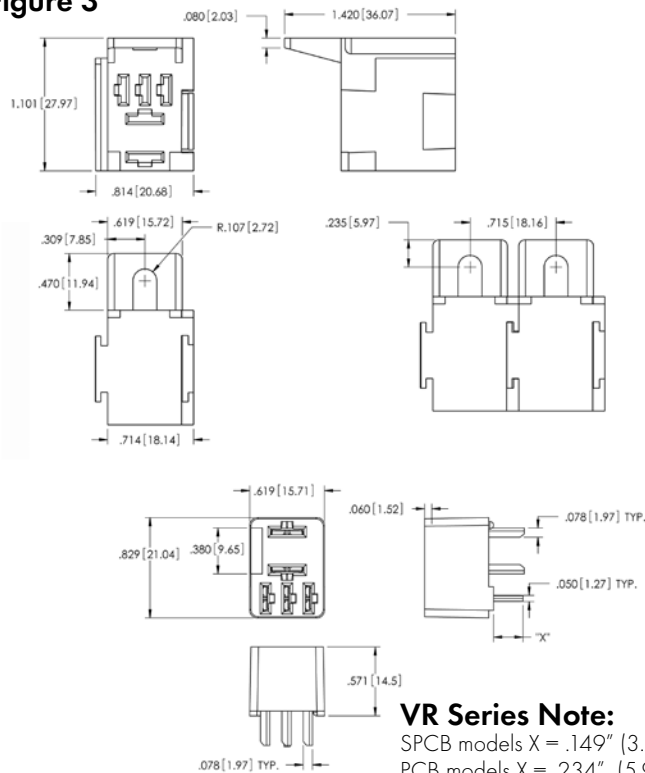


Figure 4

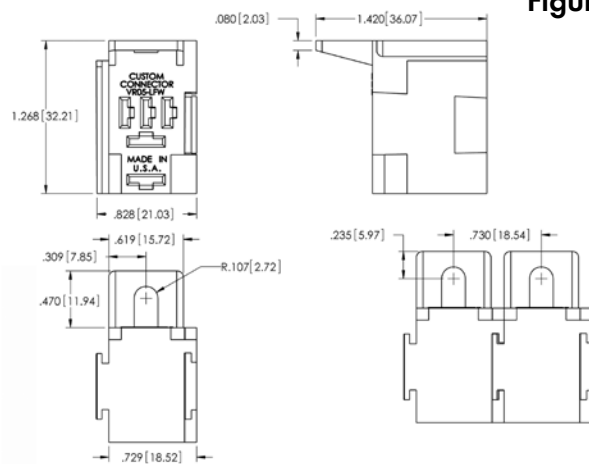


Figure 1

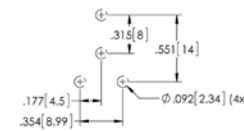
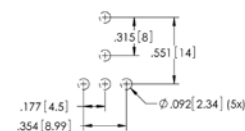


Figure 2



# GB/TB Series



- Description** Lamp and Tube Headers
- Electrical Rating** • 300 Volts, 10 Amps
- Construction** **Contacts** • Brass, Bright Tin Plated  
**Molding** • High Temperature Thermoset
- Agency Approvals** • UL recognized, File No. E60008  
 • CSA certified, File No. LR29513  
 • ROHS



## GB/TB Series Ordering Code

Part #	Description
GB08	8 pin lamp header (Fig. 1)
TB08	8 pin tube header (Fig. 2)

Figure 1

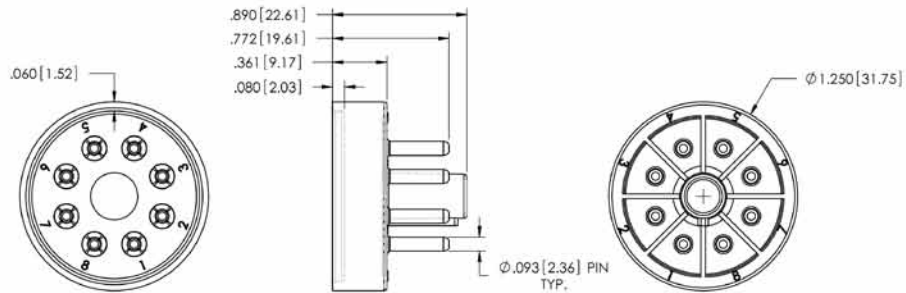
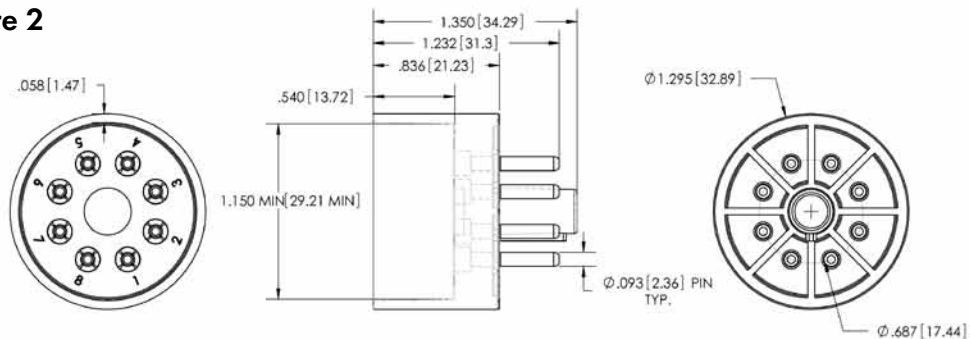
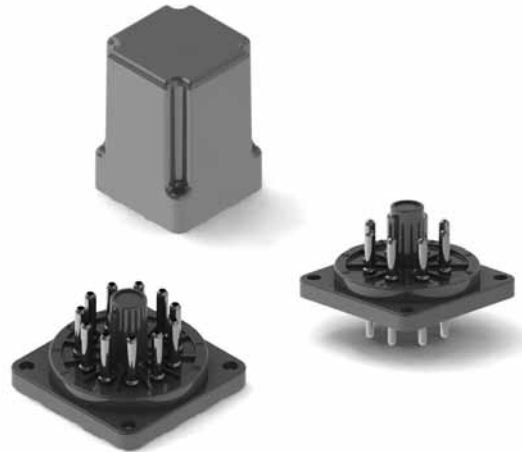


Figure 2

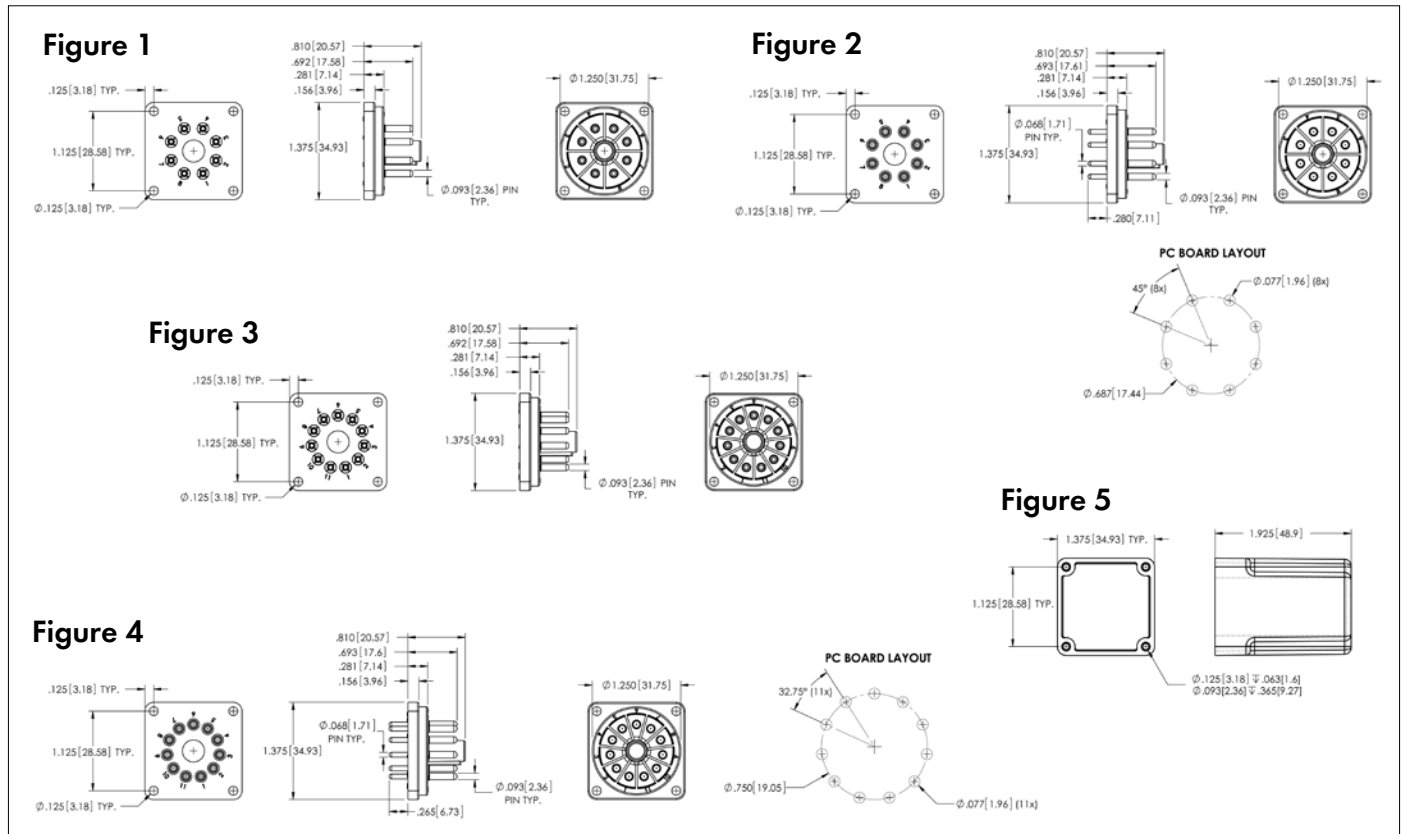


- Description** 8 and 11 Pin Round Headers and Mating Enclosures
- Electrical Rating** • 300 Volts, 10 Amps
- Construction** **Contacts** • Brass, Bright Tin Plated  
**Molding** • Headers, High Temperature Thermoset Enclosures, Break Resistant Polycarbonate
- Agency Approvals** • UL recognized, File No. E60008  
 • CSA certified, File No. LR29513  
 • ROHS



### FB/FC Series Ordering Code

Part #	Description
FB08	8 Pin Header (Fig. 1)
FB08D	8 Pin Header (Fig. 2)
FB11	11 Pin Header (Fig. 3)
FB11D	11 Pin Header (Fig. 4)
FCBP	Black Enclosure (Fig. 5)
FCCP	Clear Enclosure (Fig. 5)
FCWP	White Enclosure (Fig. 5)



## HB Series

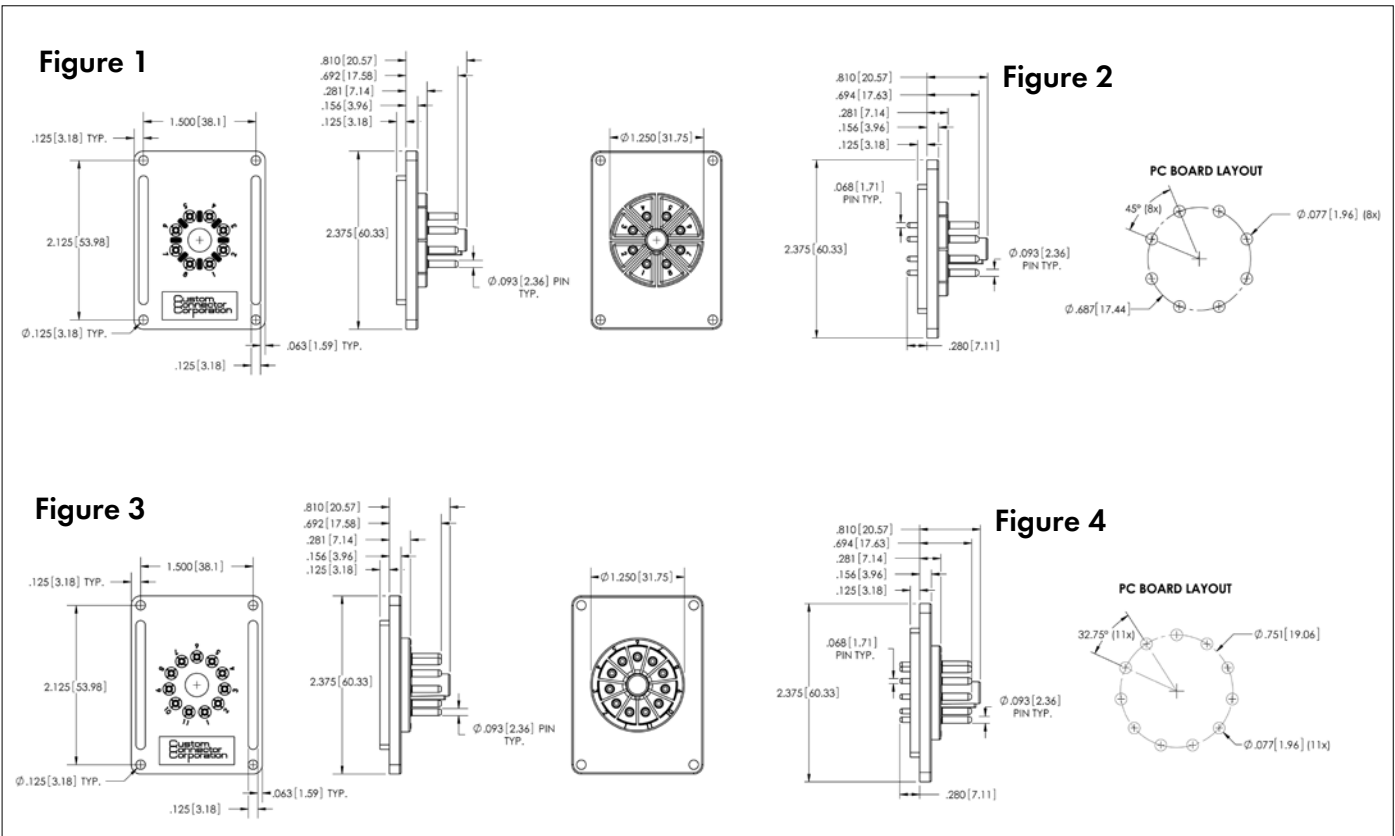


- Description** 8 and 11 Pin Round Headers
- Electrical Rating**
- HB08, HB08D 300 Volts, 10 Amps (600 Volt rating attainable in application)
  - HB11, HB11D 300 Volts, 10 Amps
- Construction**
- Contacts** • Brass, bright tin plated
- Molding** • High Temperature Thermoset
- Agency Approvals**
- UL recognized, File No. E60008
  - CSA certified, File No. LR29513
  - ROHS



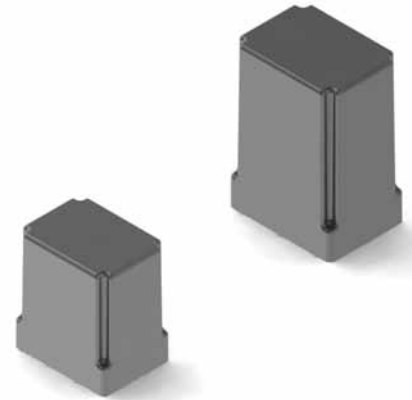
### HB Series Ordering Code

Part #	Description
HB08	8 Pin Header (Fig. 1)
HB08D	8 Pin Header (Fig. 2)
HB11	11 Pin Header (Fig. 3)
HB11D	11 Pin Header (Fig. 4)
HMS-1	Header Mounting Screw





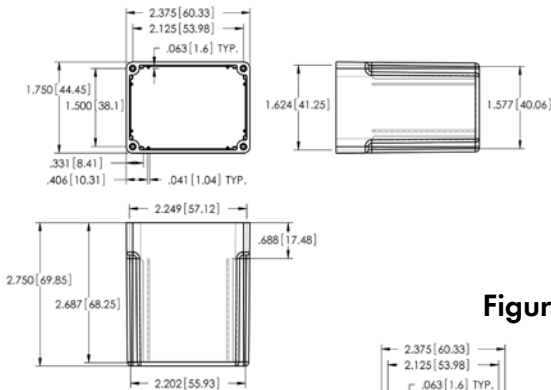
- Description** Enclosures/Dust Covers (all mate with HB Series Headers)
- Construction** • Break resistant polycarbonate
- Colors** Standard colors listed below, other colors available, consult factory
- Agency Approvals** • UL recognized, File No. E60008  
 • CSA certified, File No. LR29513  
 • ROHS



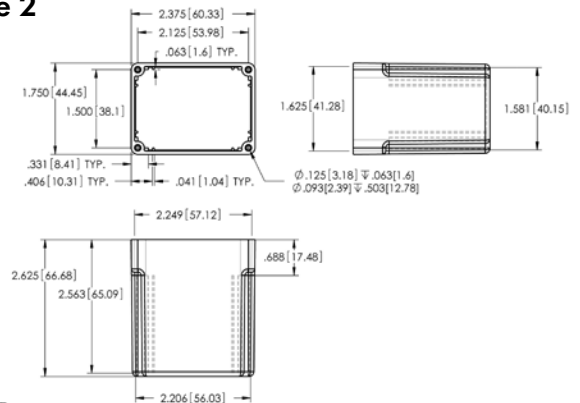
## DC/HC/JC Series Ordering Code

Part #	Description
DCBP	Black Enclosure (Fig. 1)
DCCP	Clear Enclosure (Fig. 1)
DCWP	White Enclosure (Fig. 1)
HCBP	Black Enclosure (Fig. 2)
HCCP	Clear Enclosure (Fig. 2)
HCWP	White Enclosure (Fig. 2)
JCBP	Black Enclosure (Fig. 3)
JCCP	Clear Enclosure (Fig. 3)
JCWP	White Enclosure (Fig. 3)
HMS-1	Header Mounting Screw

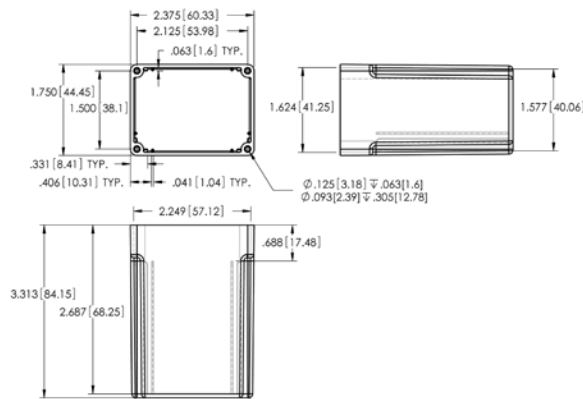
**Figure 1**



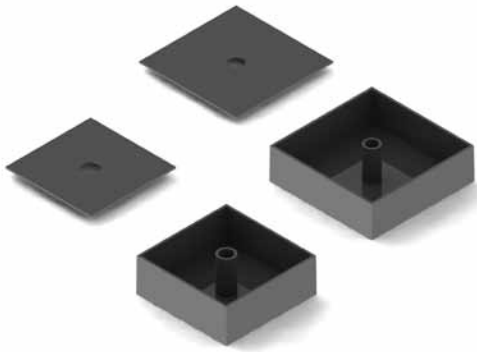
**Figure 2**



**Figure 3**



## E1 Series



**Description**  
**Construction**

Enclosures/Covers

- Break Resistant Thermoplastic
- Black Standard, other colors available, consult factory

**Agency Approvals**

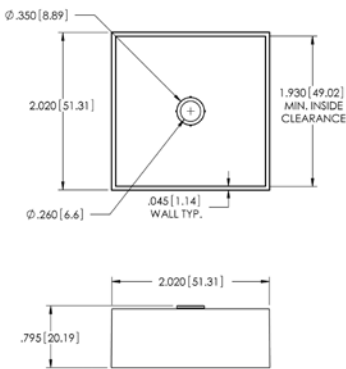
- UL recognized, File No. E60008
- CSA certified, File No. LR29513
- ROHS



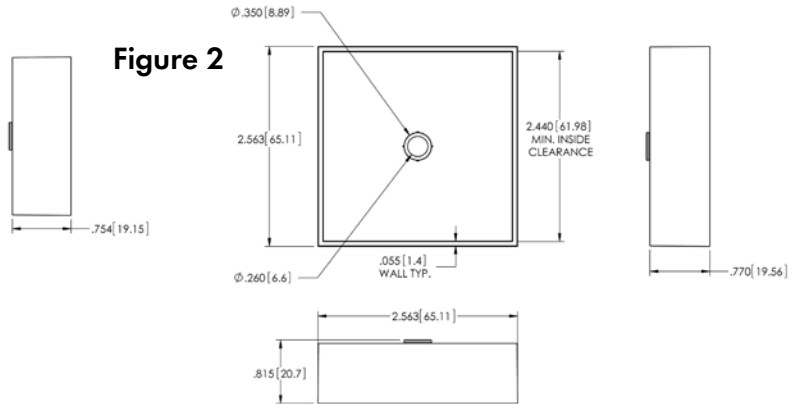
### E1 Series Ordering Code

Part #	Description
E1BV2020	Enclosure (Fig. 1)
E1BV2525	Enclosure (Fig. 2)
C1BV2020	Cover (Fig. 3) Consult factory for molded in cover modifications
C1BV2525	Cover (Fig. 4) Consult factory for molded in cover modifications

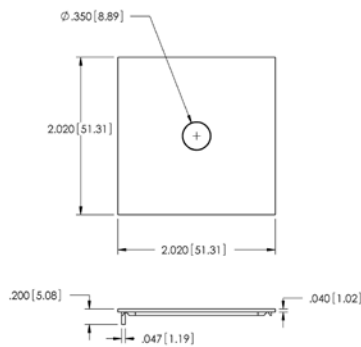
**Figure 1**



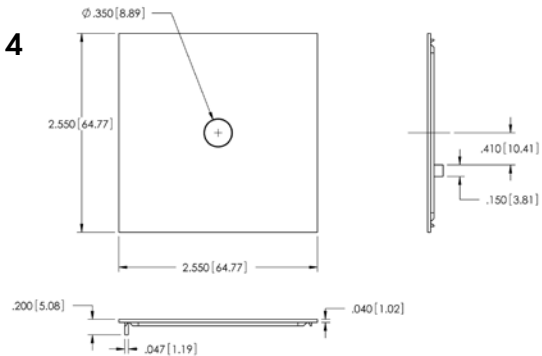
**Figure 2**



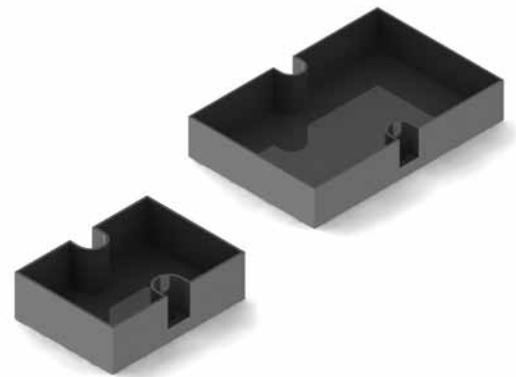
**Figure 3**



**Figure 4**

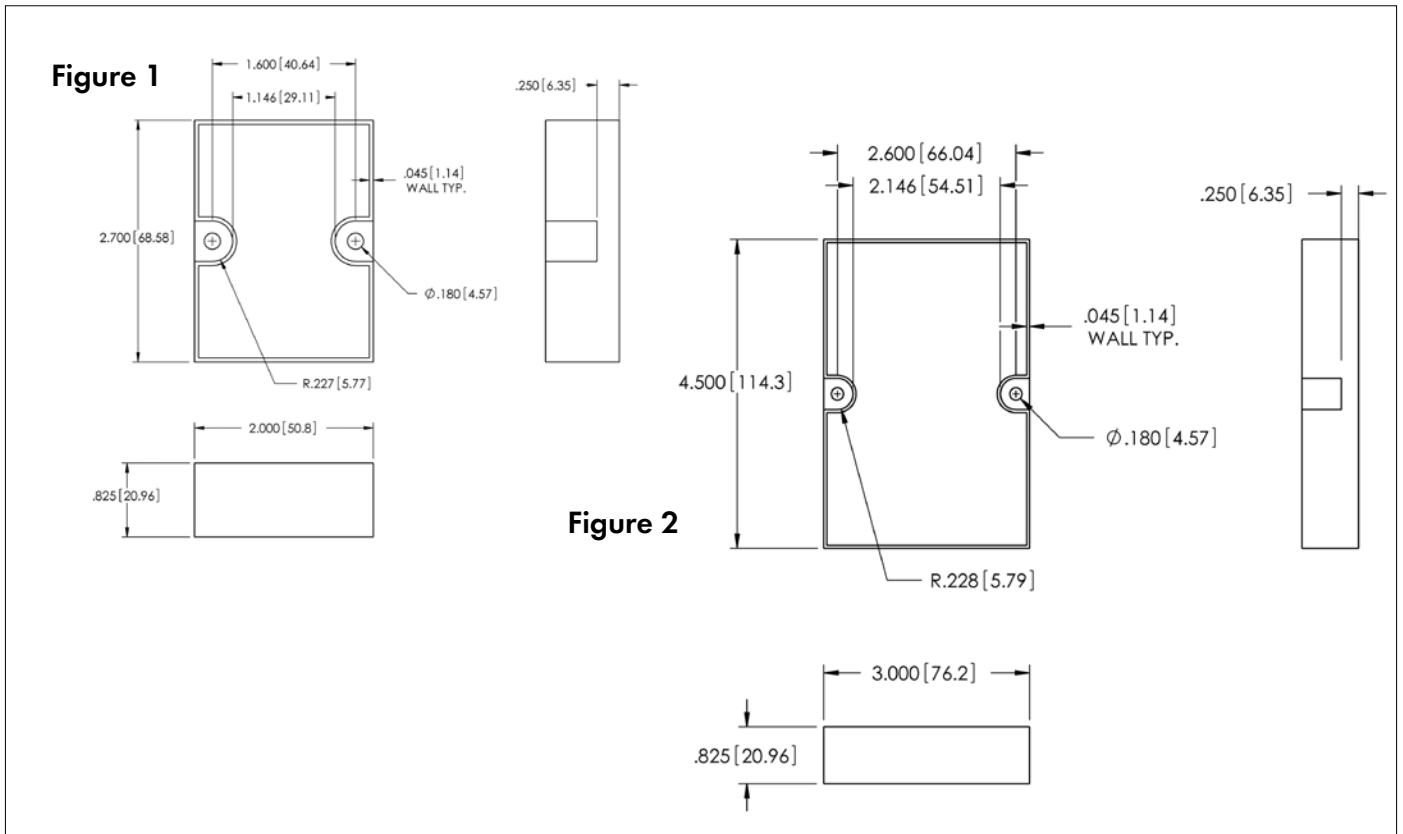


- Description** Enclosures
- Construction**
- Break Resistant Thermoplastic
  - Black Standard, other colors available, consult factory
- Agency Approvals**
- UL recognized, File No. E60008
  - CSA certified, File No. LR29513
  - ROHS

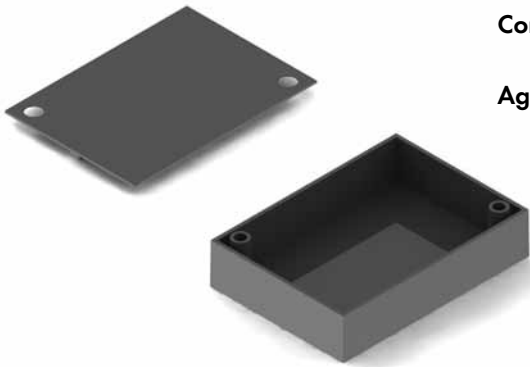


**E2 Series Ordering Code**

Part #	Description
E2BV2720	Enclosure (Fig. 1)
E2BV4530	Enclosure (Fig. 2)



# E2 Series



**Description**  
**Construction**

Enclosures/Covers  
 • Break Resistant Thermoplastic  
 • Black Standard, other colors available, consult factory

**Agency Approvals**

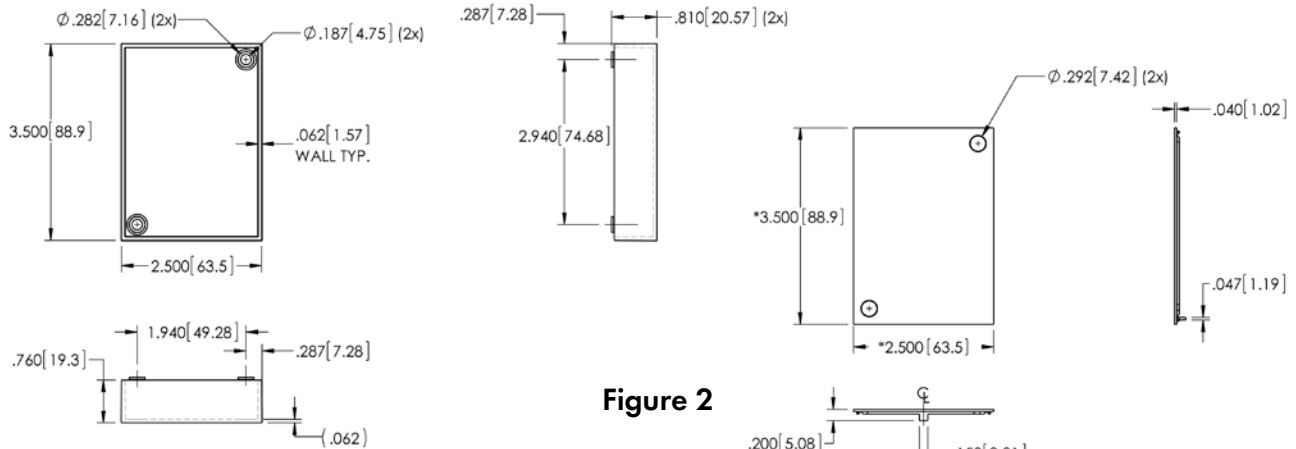
- UL recognized, File No. E60008
- CSA certified, File No. LR29513
- ROHS



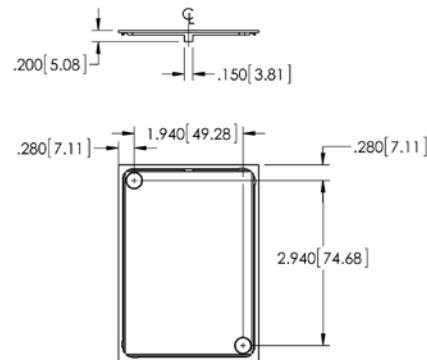
## E2 Series Ordering Code

Part #	Description
E2BV3525	Enclosure (Fig. 1)
C2BV3525	Cover (Fig. 2) Consult Factory for molded in cover modifications

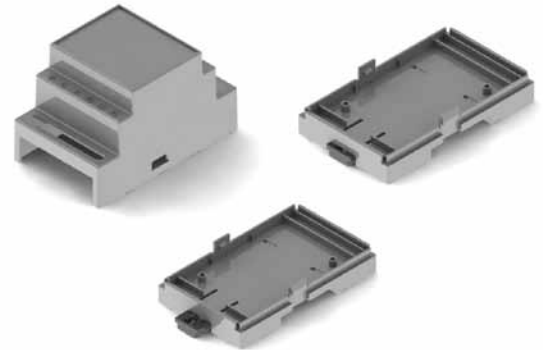
**Figure 1**



**Figure 2**

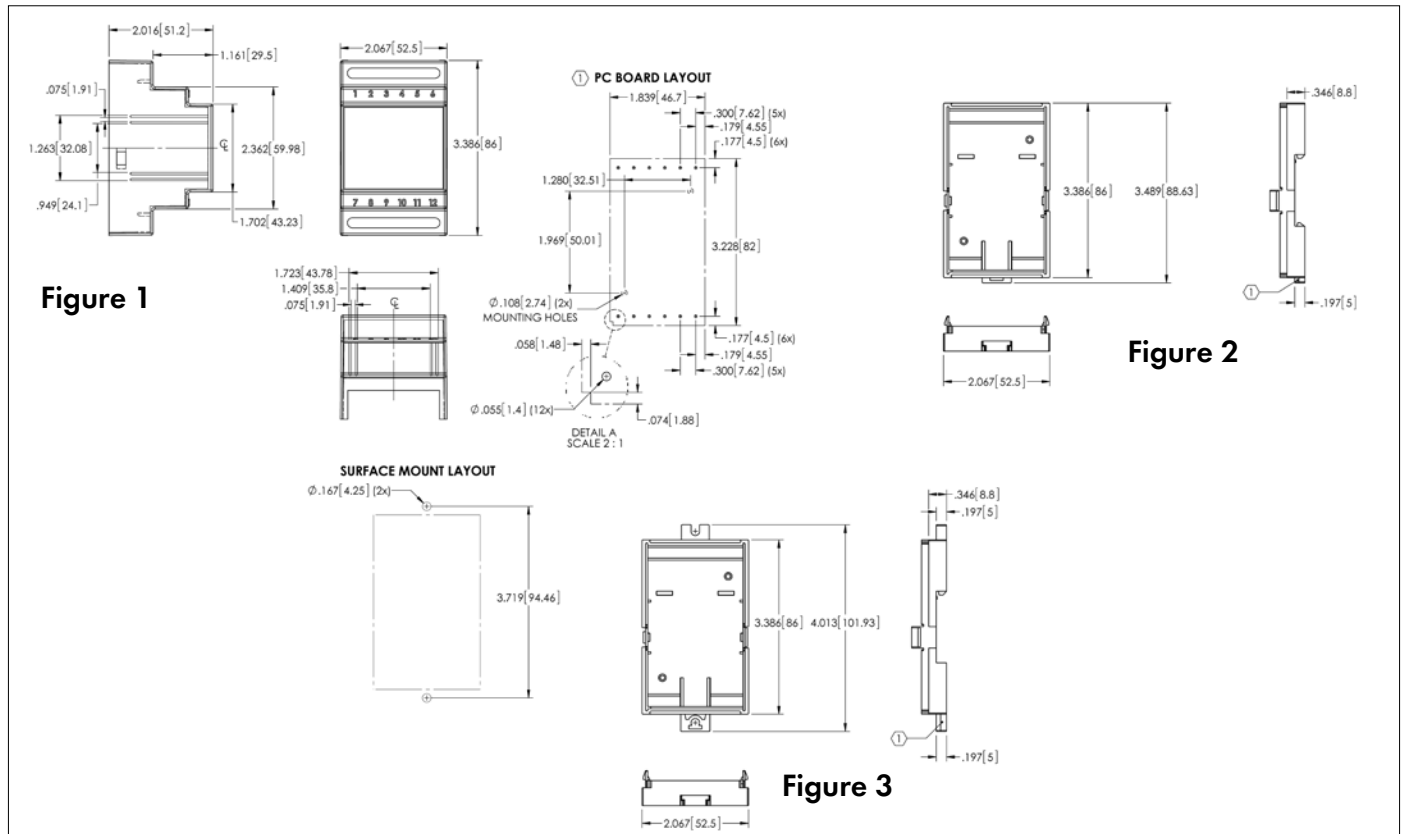


- Description** Enclosures
- Construction**
- Break Resistant Thermoplastic
  - Grey Standard, other colors available, consult factory
- Agency Approvals**
- UL, CSA Pending
  - ROHS

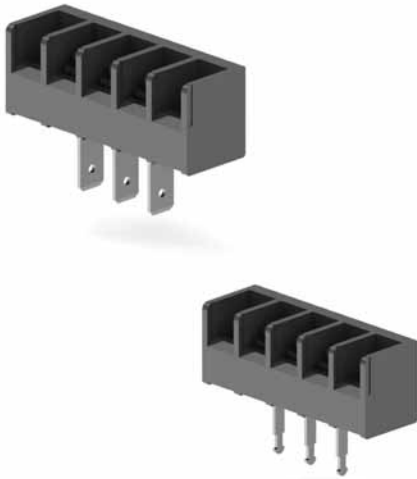


## DM/PM Series Ordering Code

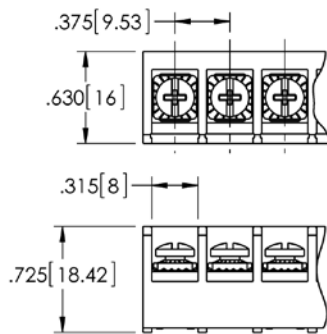
Part #	Description
DMCA-52.5-100	Enclosure cover for DIN or Panel mounting consult factory for molded in cover modifications (Fig. 1)
DMBA-52.5	Enclosure base for DIN Mounting (Fig. 2)
PMBA-52.5	Enclosure base for panel mounting (Fig. 3)



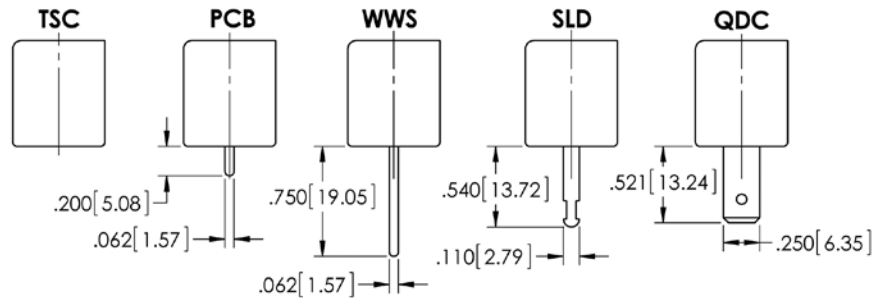
# Terminal Blocks G Series



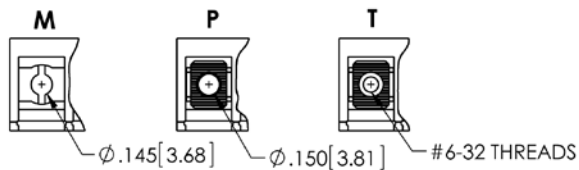
- Description** Tri-barrier, Single Row Terminal Blocks
- Electrical Rating** • 300 Volts, 20 Amps
- Construction**
- Terminals** • Brass, Bright Tin Plated
  - Screws** • Binder Head, 6 - 32 x 1/4" Steel, Zinc Plated
  - Pressure Clamp, 6 - 32 x 5/16" Steel Zinc Plated, Wire Range #12 - #20 Solid or Stranded
  - Molding** • Break Resistant Thermoplastic
- Agency Approvals** • UL recognized, File No. E95586
- CSA certified, File No. LR80483
- ROHS

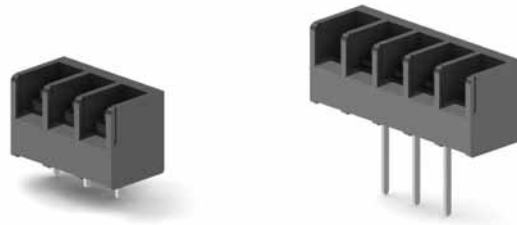


## TERMINAL STYLES

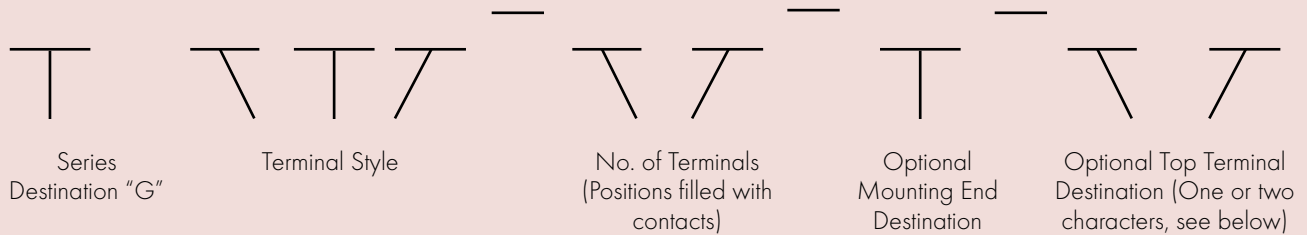


## OPTIONAL MOUNTING END DESIGNATION





## Catalog Number Code



**PCB** = Printed Circuit Board  
**WWS** = Wire Wrap

**Terminal Styles**  
**QDC** = Quick Disconnect  
**TSC** = Non Feed Through

**SLD** = Solder

**Number of Terminals**  
 02-30; 01-28 when ordered with M, P or T mounting

**Optional Mounting End Designation**  
 (Omit if not desired)

**M** = One open position on each end of block for mounting  
**P** = One open position with a mounting plate on each end of block (.150 Dia. hole)  
**T** = One open position with a 6-32 tapped mounting plate on each end of block

**Optional Top Terminal Designation**

(Steel binder head screws standard; no designation required if this is the desired termination type)

**X** = No Screws

**PC** = Pressure Clamps

**B** = Brass Binder Head Screws

**A** = .250 x .031 Flat  
**C** = .250 x .031 45°  
**D** = .250 x .031 90°  
**E** = .250 x .031 Flat & 45°

**Quick Connects - Brass:**  
**F** = .250 x .031 Flat & 90°  
**G** = .250 x .031 45° & 90°  
**H** = .250 x .031 Flat, 45° & 90°

When brass binder head screws are desired to secure the above quick connects, precede the letter designation with "B", ie: BA.

## Custom Designed, Manufactured Products

For over 45 years Custom Connector has been designing and manufacturing standard and custom electro-mechanical products for industrial and automotive applications. Most custom devices are engineered collaborations, joint efforts that utilize our expertise and experience to fulfill the requirements set forth by our customers. These product solutions may be totally designed by Custom Connector or even reverse engineered.

Today, all designs are created utilizing 3-d modeling capabilities which ensures precision tooling and final products that are built within well-defined specifications.

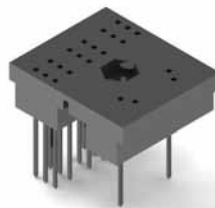
Light-duty electronic applications or higher current carrying connections, the end results are always the same: customer satisfaction, solution provided.



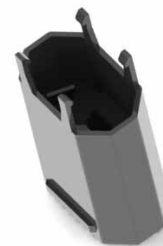
*17 pin pc mount combination  
power and signal connector*



*2 pin female harness  
interconnect device*



*20 pin relay socket for blind  
panel wiring application*



*3 pin switch connector with  
integral hold down locking  
shoulders for harnessing*

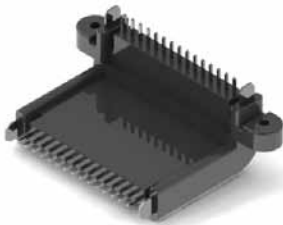




*4 pin tube style header*



*In-line board mount gold plated header assembly*



*Over molded right angle header for electronic braking system*



*Weatherproof automotive relay connector for harnessing*



*Heavy-duty terminal block for commercial flow meter*

# Switch Connectors

# CC Series



**Description**

Contura Rocker Switch Connectors

**Construction**

**Molding** • Heat Stabilized Thermoplastic, 140 degrees C Continuous Use Temperature Rating

**Agency Approvals** • ROHS

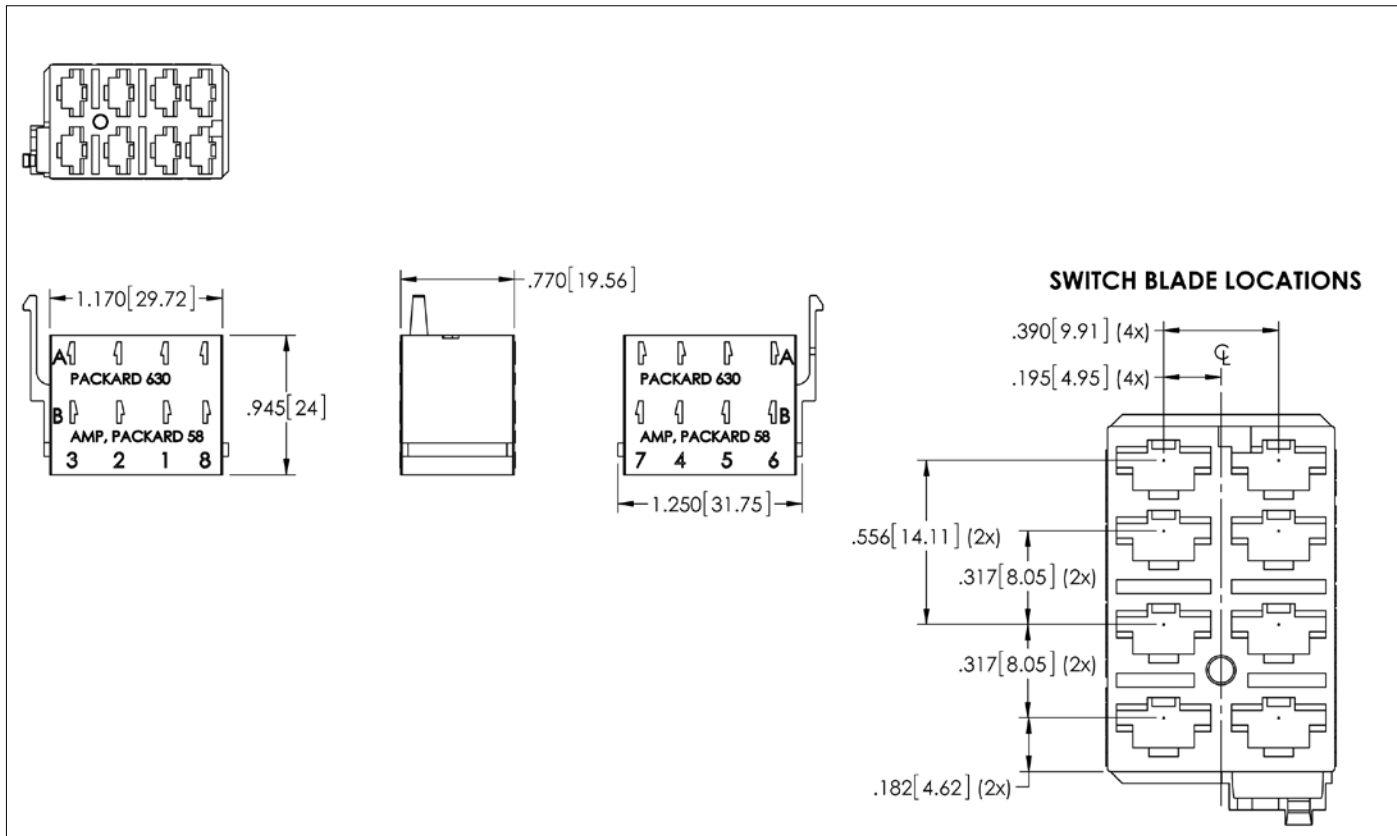
### CC Series Ordering Code

Part #	Description	Terminal Type
CCH	8 Pin Connector for Wire Harnessing	Crimp

### Terminal Compatibility Chart

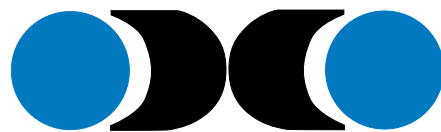
Custom Connector Corporation recommends the following terminals to be used in conjunction with our CC switch connector series. All Parts listed below need to be purchased separately.

Order From	Part #	AWG	Blade
TE Connectivity	42100	14-18	1/4"
TE Connectivity	60253	12-14	1/4"
Delphi (Metri-Pack)	12084590	12	1/4"
Delphi (Metri-Pack)	12052224	12	1/4"
Delphi (Metri-Pack)	12015870	14-16	1/4"
Delphi (Metri-Pack)	12015869	18-20	1/4"
Delphi (Metri-Pack)	12020035	(2) 18-22	1/4"



[www.CustomConnector.com](http://www.CustomConnector.com) | [sales@customconnector.com](mailto:sales@customconnector.com)

Phone (216) 241-1679 | Fax (216) 241-5529



**CUSTOM CONNECTOR  
CORPORATION**

[www.CustomConnector.com](http://www.CustomConnector.com) | [sales@customconnector.com](mailto:sales@customconnector.com)  
Phone (216) 241-1679 | Fax (216) 241-5529