

PROTECTION AND CONNECTION

Switch-disconnectors OTDC and OTDCP

Switches for photovoltaic and ESS applications



- Designed for harsh environments
- Compact and modular design
- Reduced power losses

OTDC switch-disconnectors by ABB offer reliability and efficiency for direct current applications such as solar farms.



Contents

**DC SWITCH-
DISCONNECTORS**
P.5

01

**OVERVIEW OF
PRODUCT RANGE**
P.13

02

**ORDERING
INFORMATION**
P.27

03

**ORDERING
INFORMATION
FOR ACCESSORIES**
P.68

04

TECHNICAL DATA
P.81

05

CIRCUITS
P.89

06

**DIMENSIONAL
DRAWINGS**
P.99

07

INDEX
P.117

08

The compact design and dimensioning of these devices makes them fast and easy to install in all conditions.



DC switch-disconnectors

- 6 Premium performance for DC applications
- 8 Typical photovoltaic applications
- 10 Energy Storage Systems (ESS) applications

DC switch-disconnectors

Premium performance for DC applications

The OTDC range of switch-disconnectors is specially designed for DC applications. Thanks to a compact design, efficiency and reliability, OTDC switches bring photovoltaic installations to the next level.

RELIABLE IN EXTREME CONDITIONS



Designed for harsh environments

Solar farms are typically located in remote and inhospitable environments. The OTDC switch-disconnectors are designed to offer efficient and reliable performance even in high ambient temperatures and harsh environmental conditions. They are virtually maintenance-free. The unique contact design results in a lower temperature rise, making only a minimal contribution to the overall heat-rise within any enclosure. The patented dual magnetic breaking (DMB) solution in our larger OTDC 100...1600 switch-connectors results in market-leading performance and reliable switching in all applications.

EASY INSTALLATION



Compact and modular design

The smart modular design of these devices means that they are fast and easy to install in a wide variety of ways, none of which take up large amounts of space. The switch-disconnectors can be mounted in any direction, and thanks to their polarity independence connections can be made in both ways. Additionally, the unique modular and compact design of our smaller OTDC 16...32 switch-disconnectors means that the same dimensions apply to a 2-pole and 6-pole switch. These switches offer various DC voltage ratings and control of up to three circuits within the same footprint area. Three mounting options are available for easy installation in a variety of enclosure designs: door, base and DIN rail.

ENERGY EFFICIENCY



Reduced power losses

Energy efficiency and sustainability are important factors in photovoltaic energy production and distribution applications. Switches often generate considerable amounts of heat within the enclosure. The OTDC switch-disconnectors by ABB have a superior thermal structure, which help decrease switch power losses by up to 50%. These devices are extremely well suited for applications in high ambient temperatures. The rated currents need no derating even beyond 60°C (140°F). Overall these devices enable energy savings and reduced active ventilation costs, all within a smaller enclosure.





DC switch-disconnectors

Typical photovoltaic applications

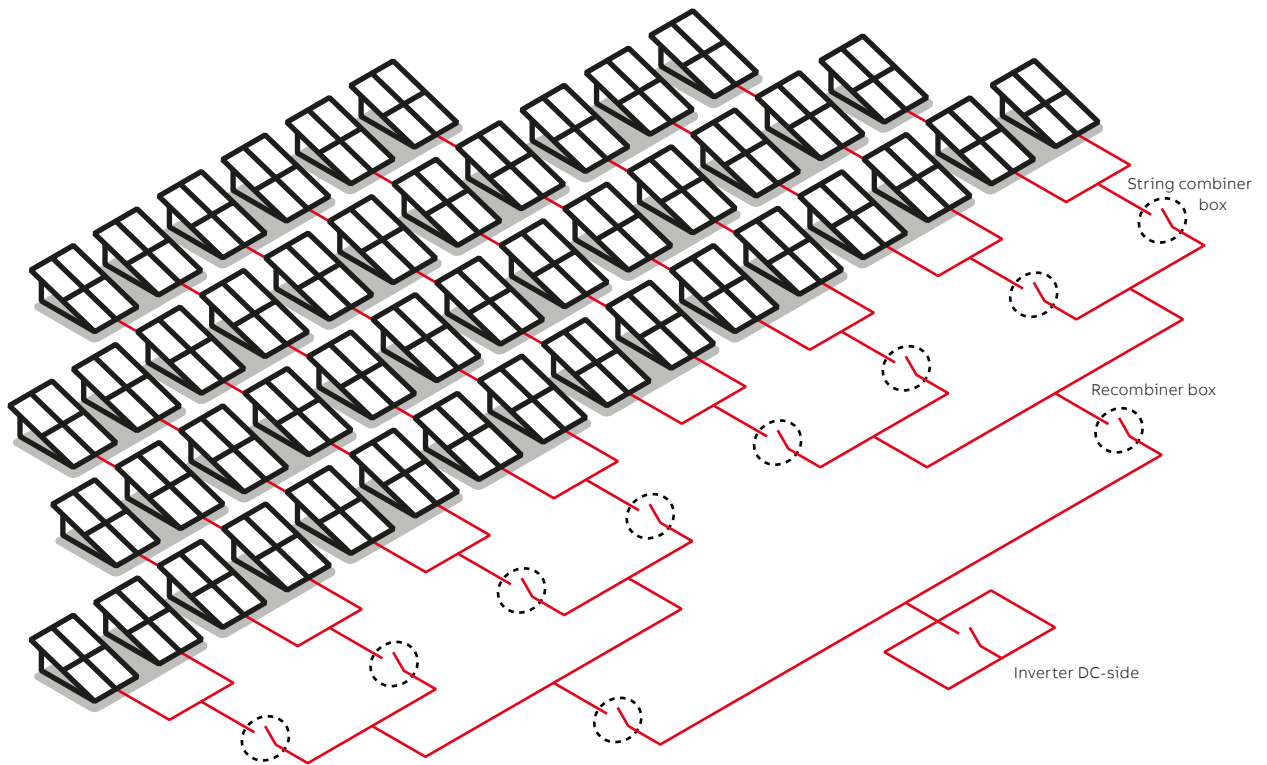
Direct current switch-disconnectors by ABB offer reliable switching for a wide range of photovoltaic (PV) applications. They are durable and virtually maintenance-free, and offer easy installation for all imaginable situations.

Depending on the solar farm layout and the customer's wishes, the OTDC switch-disconnectors may be used in one or more sections of the overall setup, on the DC side prior to the inverter.

The most typical uses for direct current switch-disconnectors include:

- String combiner boxes
- Recombiner boxes
- Inverter input





String combiner box

The switch-disconnectors can also be used to disconnect individual arrays. In larger photovoltaic (PV) sources arrays, which consist of parallel-connected strings, are often used, with combiner boxes grouping individual strings together. Combiner boxes are an ideal place for placing PV devices, for example control and over-current protective devices. Switches inside combiner boxes allow possible fuse replacement and safe maintenance to be performed on individual arrays.

Recombiner box

Additional disconnect switches may also be installed in the proximity of the inverter to provide

a means of isolation, for example for local fuse isolation. Service isolation may be required 'within sight' of the inverter or other locations frequently requiring service. Also these switches may be integrated inside the inverter although more often they are housed in a re-combiner box.

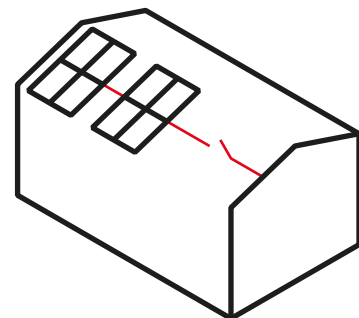
Inverter DC-side

These same devices may also be used to disconnect the inverter from the DC side entirely. For this use the switch-disconnector is installed either just before the inverter on the DC side or inside the inverter itself. This type of main disconnection means is a good practice and generally required by installation norms.

String disconnect for residential use

String disconnects

The switch-disconnectors can be used to break and isolate panels and individual strings on roof-tops to allow for safe repair operations for maintenance workers. The switch-disconnectors can be used to break and isolate panels and individual strings on roof-tops to allow safe repair operations for maintenance workers or fire-brigade.



DC switch-disconnectors

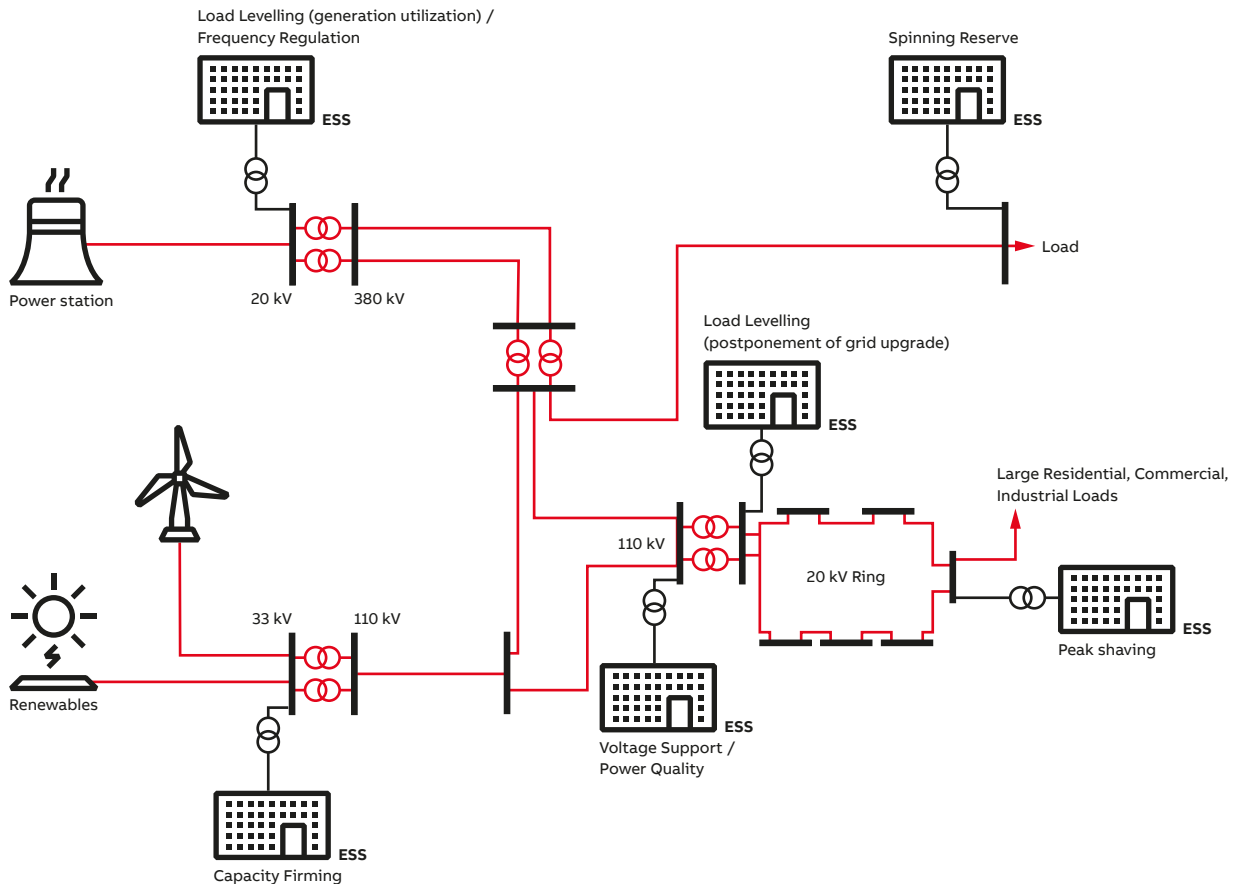
Energy Storage Systems (ESS) applications

Direct current switch-disconnectors by ABB offer reliable switching for ESS applications where higher performance is needed. They are durable and virtually maintenance-free, and offer easy installation for all imaginable situations.

Depending on the ESS layout and the customer's wishes, the OTDC switch-disconnectors may be used in one or more sections of the overall setup, for the battery protection.

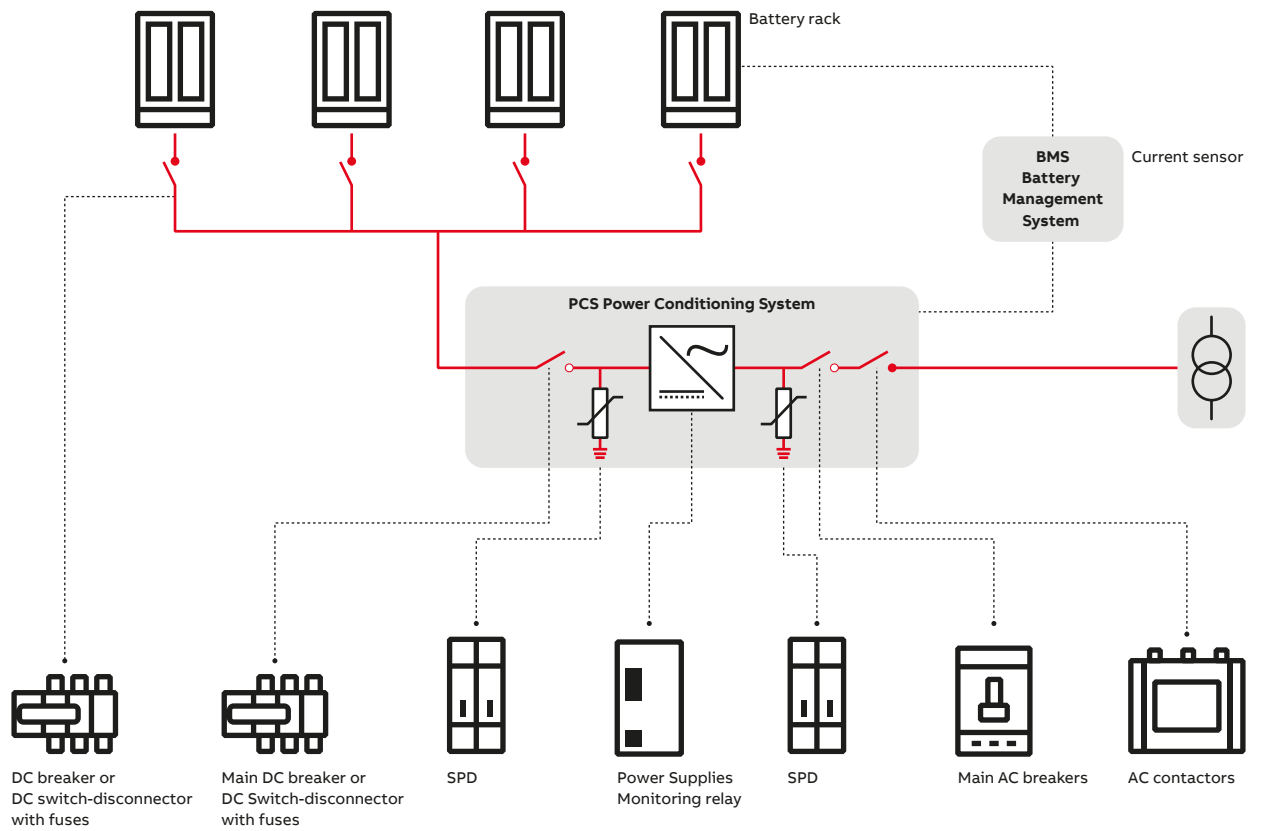
The most typical uses in ESS for direct current switch disconnectors include:

- Energy Storage Power Conversion System (PCS)
- Battery section
- Prior to Battery rack



Energy Storage Systems (ESS) are able to solve one of the well-known problems in the use of electricity: the electricity must be used immediately when it is generated, which is not always the same time the electricity is needed. To store energy, it must be converted temporarily to another form that is more convenient or more economical for storing. Then, when it is needed

again, the energy must be re-converted back to a form that can be immediately utilized. Some technologies provide short-term energy storage, while others can provide energy storage for a longer duration. However, the goal is the same: an Energy Storage System is a solution that stores energy for use at a later time.



—

For the best possible global coverage, we offer devices with compliance to both IEC and UL standards.



Overview of product range

- 14** Quick selection for IEC
- 16** Quick selection for UL
- 18** Front operated switch-disconnectors 16...1600 A, IEC
- 20** Enclosed switch-disconnectors 16...32 A, IEC
- 21** Front operated switch-disconnectors 16...1000 A, UL
- 23** Side operated switch-disconnectors 100...200 A, UL
- 24** Type codes and pole configuration table







Overview of product range

Quick selection for IEC











Wide portfolio for global compatibility

Global availability and compatibility of our direct current switch-disconnectors has been ensured with a wide portfolio of devices. Our portfolio includes devices compliant with the UL standard typically required of devices used in the North

American market as well as IEC standard devices used in most other markets across the globe. All devices, regardless of standard, offer the reliability and efficiency expected of a switch device by ABB.

VDC	CIRCUITS	AMPERAGE									
		XS									
		10	16	20	25	32					
660	1 circuit	OTDC16U2		OTDC25U2		OTDC32F2					
	Wire diagram	On page 31		On page 31		On page 29					
	2 circuits	OTDC16U4		OTDC25U4		OTDC32U4					
	Wire diagram	On page 31		On page 31		On page 31					
	3 circuits	OTDC16U6									
	Wire diagram	On page 32									
1000	1 circuit	OTDC16U2		OTDC25U2		OTDC32F2		OTDC25F3		OTDC32F3	
	Wire diagram	On page 31	On page 31		On page 29	On page 29		On page 29			
	2 circuits	OTDC16U4		OTDC25U4		OTDC32U4					
	Wire diagram	On page 31	On page 31		On page 31						
	3 circuits	OTDC16U6									
	Wire diagram	On page 32									







NOTE: The complete list of available switches can be found in the Product range starting on page 18.

VDC	CIRCUITS	AMPERAGE											
		S				M				L			
		100	160	200	250	315	400	500	630	800	1000	1250	1600
1000	1 circuit	OTDC100...250E11, OTDC100...250E02				OTDC315...800F11 OTDC315...630F02				OTDC1000...1600E22			
													
	Wire diagram	2a, 2b on page 91				2a, 2b on page 91				6a, 6b on page 94			
	2 circuits	OTDC100...250E22				OTDC315...630F22							
													
	Wire diagram	4a, 4c on page 93				4a, 4c on pages 93							
1500	3 circuits	OTDC100...200E33				OTDC315...500F33							
													
	Wire diagram	7a, 7i on pages 96, 97				7a, 7e on page 96							
	1 circuit	OTDC100...200EV22				OTDC315...800FV11 OTDC315...630FV02							
													
	Wire diagram	6a, 6b on page 94				2a, 2b on page 91							
1500	2 circuits					OTDC315...630FV22							
													
	Wire diagram					4a, 4c on page 93							
	3 circuits					OTDC315...500FV33							
													
Wire diagram					7a, 7e on page 96								

NOTE: The complete list of available switches can be found in the Product range starting on page 18.

Overview of product range

Quick selection for UL

VDC	CIRCUITS	AMPERAGE		
		XS		
600	1 circuit	16	25	32
				OTDC16U2
				
	Wire diagram	On page 31	On page 31	
	2 circuits	OTDC16U4	OTDC25U4	OTDC32U4
				
	Wire diagram	On page 31	On page 31	On page 31
	3 circuits	OTDC16U6		
				
	Wire diagram	On page 32		

NOTE: Door mounted U_T and US models for grounded systems can be found on pages 54-55.

Legend:
 US and UFS = grounded system
 U and UF = ungrounded system

VDC	CIRCUITS	AMPERAGE							
		S		M				L	
		100	200	250	320	400	600	800	1000
1000	1 circuit	OTDC100...245US11, OTDC100...245US02		OTDC250...600UF11 - UF02 OTDC250...600UFS11 - UFS02				OTDC800...1000US22	
	Wire diagram	1a on page 90		OTDC250...600UF_ 2a, 2b on page 91 OTDC250...600UFS_ 1a on page 90				6m on page 95	
	2 circuits	OTDC100...200US22		OTDC250...600UF22 OTDC250...600UFS22					
	Wire diagram	3 on page 92		OTDC250...600UF_ 4a, 4c on page 93 OTDC250...600UFS_ 3 on page 92					
	3 circuits	OTDC100...200US33							
	Wire diagram	7a, 7i on pages 96, 97							
1500	1 circuit	OTDC100...200USV22		OTDC250...600UFV11 - UFV02 OTDC250...600UFSV11 - UFSV02					
	Wire diagram	6a, 6b on page 94		OTDC250...600UF_ 2a, 2b on page 91 OTDC250...600UFS_ 1a on page 90					
	2 circuits			OTDC250...600UFV22 OTDC250...600UFSV22					
	Wire diagram			OTDC250...600UFV_ 4a, 4c on page 93 OTDC250...600UFSV_ 3 on page 92					

NOTE: The complete list of available switches can be found in the Product range starting on page 18.

Overview of product range

Front operated switch-disconnectors 16...1600 A, IEC

IEC 60947



	OTDC16U2	OTDC16U4	OTDC16U6
	OTDC25U2	OTDC25U4	
		OTDC32U4	
U_e [V DC]	660/1000	2x660/1000	3x660/1000
I_o, DC-21B [A]	16/10 - 25/16	16/10 - 25/16 - 32/20	16/10

IEC 60947



Door mounting

	OTDC16UT2	OTDC16UT4	OTDC16UT6
	OTDC25UT2	OTDC25UT4	
		OTDC32UT4	
U_e [V DC]	660/1000	2x660/1000	3x660/1000
I_o, DC-21B [A]	16/10 - 25/16	16/10 - 25/16 - 32/20	16/10

IEC 60947



	OTDC16F2	OTDC16F3	OTDC16F4
		OTDC25F3	OTDC25F4
		OTDC32F3	OTDC32F4
U_e [V DC]	660	1000	1000 / 2x660
I_o, DC-21B [A]	16 - 25 - 32	16 - 25 - 32	16 - 25 - 32

IEC 60947



	OTDC16FT2	OTDC16FT3	OTDC16FT4
		OTDC25FT3	OTDC25FT4
		OTDC32FT3	OTDC32FT4
U_e [V DC]	660/1000	2x660/1000	3x660/1000
I_o, DC-21B [A]	16/10 25/16	16/10 25/16 32/20	16/10

IEC 60947



	OTDC100E02	OTDC100E11	OTDC100E22	OTDC100EV22	OTDC100E33
	OTDC160E02	OTDC160E11	OTDC160E22	OTDC160EV22	OTDC160E33
	OTDC200E02	OTDC200E11	OTDC200E22	OTDC200EV22	OTDC200E33
	OTDC250E02	OTDC250E11	OTDC250E22		
U_e [V DC]	1000	1000	1000	1500	1000
I_n, DC-21B [A]	100 - 160 - 200 - 250	100 - 160 - 200 - 250	100 - 160 - 200 - 250	100 - 160 - 200	100 - 160 - 200

IEC 60947



	OTDC315F02 / OTDC315FV02	OTDC315F11 / OTDC315FV11
	OTDC400F02 / OTDC400FV02	OTDC400F11 / OTDC400FV11
	OTDC500F02 / OTDC500FV02	OTDC500F11 / OTDC500FV11
	OTDC630F02 / OTDC630FV02	OTDC630F11 / OTDC630FV11
		OTDC800F11/OTDC800FV11
U_e [V DC]	1000/1500	1000/1500
I_n, DC-21B [A]	315 - 400 - 500 - 630	315 - 400 - 500 - 630 - 800

IEC 60947



	OTDC315F22 / OTDC315FV22	OTDC315F33/OTDC315FV33	OTDC1000E22
	OTDC400F22 / OTDC400FV22	OTDC400F33/OTDC400FV33	OTDC1250E22
	OTDC500F22 / OTDC500FV22	OTDC500F33/OTDC500FV33	OTDC1600E22
	OTDC630F22 / OTDC630FV22		
U_e [V DC]	1000/1500	1000/1500	1000
I_n, DC-21B [A]	315 - 400 - 500 - 630	315 - 400 - 500	1000 - 1250 - 1600

Overview of product range

Enclosed switch-disconnectors 16...32 A, IEC

IEC 60947



	OTDCP16SA11M	OTDCP16S11M	OTDCP16SA21M	OTDCP16S21M	OTDCP16SA22_	OTDCP16S22_
	OTDCP25SA11M	OTDCP25S11M	OTDCP25SA21M	OTDCP25S21M	OTDCP25SA22_	OTDCP25S22_
	OTDCP32SA11M	OTDCP32S11M	OTDCP32SA21M	OTDCP32S21M	OTDCP32SA22_	OTDCP32S22_
U_e [V DC]	660	660	1000	1000	1000 / 2x660	1000 / 2x660
I_e, DC-21B [A]	16 - 25 - 32	16 - 25 - 32	16 - 25 - 32	16 - 25 - 32	16 - 25 - 32	16 - 25 - 32

Overview of product range

Front operated switch-disconnectors

16...1000 A, UL

UL508i
File E4466875



Base or DIN-rail mounting

	OTDC16U2	OTDC16U4	OTDC16U6	OTDC16US2	OTDC16US4	OTDC16US6
	OTDC25U2	OTDC25U4		OTDC25US2	OTDC25US4	
		OTDC32U4			OTDC32US4	
Rated Voltage [V DC]	600	600	600	600	600	600
Rated current [A]	16 - 25	16 - 25 - 35	16	16 - 25	16 - 25 - 32	16

UL508i
File E4466875



Door mounting

	OTDC16UT2	OTDC16UT4	OTDC16UT6	OTDC16UST2	OTDC16UST4	OTDC16UST6
	OTDC25UT2	OTDC25UT4		OTDC25UST2	OTDC25UST4	
		OTDC32UT4			OTDC32UST4	
Rated Voltage [V DC]	600	600	600	600	600	600
Rated current [A]	16 - 25	16 - 25 - 35	16	16 - 25	16 - 25 - 32	16

UL98B
File #E354681



	OTDC100U02	OTDC100U11	OTDC100U22	OTDC100UV22	OTDC100US02	OTDC100US11	OTDC100US22
	OTDC200U02	OTDC200U11	OTDC180U22	OTDC200UV22	OTDC200US02	OTDC200US11	OTDC180US22
	OTDC245U02	OTDC245U11	OTDC200U22		OTDC245US02	OTDC245US11	OTDC200US22
Rated Voltage [V DC]	1000	1000	1000	1500	1000	1000	1000
Rated current [A]	100 - 200 - 250	100 - 200 - 250	100 - 180 - 200	100 - 200	100 - 200 - 250	100 - 200 - 250	100 - 180 - 200

Overview of product range

Front operated switch-disconnectors

16...1000 A, UL

UL98B

File #E354681



		OTDC100USV22	OTDC250UF02 OTDC250UFV02	OTDC250UF11 OTDC250UFV11	OTDC250UF22/ OTDC250UFV22	OTDC800U22
		OTDC200USV22	OTDC320UF02 OTDC320UFV02	OTDC320UF11 OTDC320UFV11	OTDC320UF22/ OTDC320UFV22	OTDC1000U22
			OTDC400UF02 OTDC400UFV02	OTDC400UF11 OTDC400UFV11	OTDC400UF22/ OTDC400UFV22	
			OTDC600UF02 OTDC600UFV02	OTDC600UF11 OTDC600UFV11	OTDC600UF22/ OTDC600UFV22	
Rated Voltage [V DC]		1500	1000/1500	1000/1500	1000/1500	1000
Rated current [A]	UL98B	100 - 200	250 - 320 - 400 - 600	250 - 320 - 400 - 600	250 - 320 - 400 - 600	800 - 1000
	IEC 60947		315 - 400 - 500 - 630	315 - 400 - 500 - 630	315 - 400 - 500 - 630	

UL98B

File #E354681



		OTDC250UFS02 / OTDC250UFSV02	OTDC250UFS11 / OTDC250UFSV11
		OTDC320UFS02 / OTDC320UFSV02	OTDC320UFS11 / OTDC320UFSV11
		OTDC400UFS02 / OTDC400UFSV02	OTDC400UFS11 / OTDC400UFSV11
		OTDC600UFS02 / OTDC600UFSV02	OTDC600UFS11 / OTDC600UFSV11
Rated Voltage [V DC]		1000/1500	1000/1500
Rated current [A]	UL98B	250 - 320 - 400 - 600	250 - 320 - 400 - 600
	IEC 60947	315 - 400 - 500 - 630	315 - 400 - 500 - 630

UL98B

File #E354681



		OTDC250UFS22/ OTDC250UFSV22	OTDC800US22
		OTDC320UFS22/ OTDC320UFSV22	OTDC1000US22
		OTDC400UFS22/ OTDC400UFSV22	
		OTDC600UFS22/ OTDC600UFSV22	
Rated Voltage [V DC]		1000/1500	1000
Rated current [A]	UL98B	250 - 320 - 400 - 600	800 - 1000
	IEC 60947	315 - 400 - 500 - 630	

Overview of product range

Side operated switch-disconnectors
100...200 A, UL

UL-types
UL98B
File #E354681



	OTDC100U20S	OTDC100US20S
	OTDC200U20S	OTDC200US20S
Rated Voltage [V DC]	1000	1000
Rated current [A]	100 - 200	100 - 200

Overview of product range

Type codes and pole configuration table

Type codes

Understanding the type code keys below will help you quickly identify the correct product for your needs. The simple naming sys-

tem allows you to see the products type, Ampere rating, standard classification and number of poles, all in one glance.

Explanation of the types 16 to 32 Amperes, open version

Option:	OTDC	16	F	3
Position:	1	2	3	4

1: Brand and Switch size/Ampere rating

2: Ampere rating

3: Standard

F: IEC

U: Base mounted, IEC and 508i, non grounded

US: Base mounted, IEC and 508i, non grounded (includes factory mounted jumpers)

FT: Door mounted, IEC

UT: Door mounted, IEC and 508i, non grounded

UST: Door mounted, UL, factory mounted jumpers

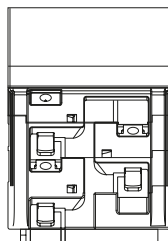
4: Number of the poles

2

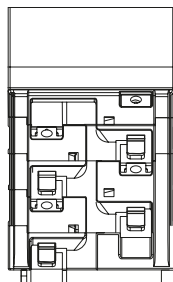
3

4

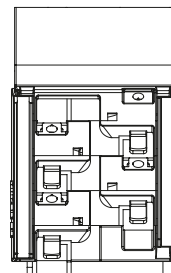
6



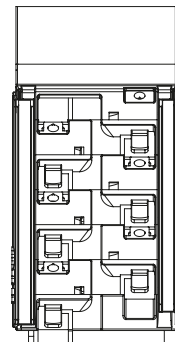
2 pole version



3 pole version



4 pole version



6 pole version

Explanation of the types 16 to 32 Amperes, enclosed version

Option:	OTDC	P	16	S	11	M	D
Position:	1	2	3	4	5	6	7

1: Brand

OTDC: ABB DC switch-disconnector brand

2: Enclosure material

P: Plastic

3: Switch size

16...32: 16, 25 and 32 Amperes

4: Selector handle color

S: Black

SA: Red-yellow

5: Contact configuration

11, 12, 22

6: Cable entries

M: Threaded knock-out M20

M16: Threaded knock-out M16

M25: Threaded knockout M25

U: Blank cable entries

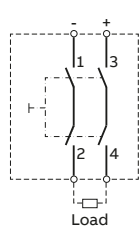
UM: Black top cable entry and threaded knockout M20 bottom cable entry

M20/M16: Threaded knockouts: M16 top cable entry and M20 bottom cable entry

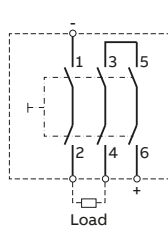
7: Connection options

_: Single circuit use

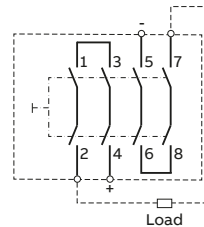
D: Double circuit use



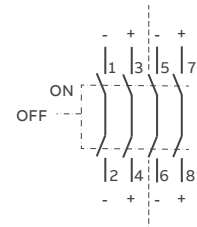
OTDCP_11_



OTDCP_12_



OTDCP_22_



OTDCP_22MD

Overview of product range

Type codes and pole configuration table

02

Explanation of the types OTDC100...1600, IEC and UL98B

Option:	OTDC	200	U	S	11	K	-ESS
Position:	1	2	3	4	5	6	7

1: Brand

OTDC: ABB DC switch-disconnector brand

2: Switch size

100...1600: 100...1600 Amperes

3: Standard

E and F: IEC

U: IEC and UL98B

UF: IEC and UL98B

4: Connection bars/jumpers

blank: Connection bars/jumpers not included

V: 1500 VDC

S: Grounded versions (connection kits are premounted)

5: Number of poles

11: Two poles, mechanism between the poles

02, 20: Two poles, mechanism at the end of the switch

12: Three poles, mechanism between the poles

22: Four poles, mechanism between the poles

33: Six poles, mechanism between the poles

6: Included handle

-: none

P: external handle

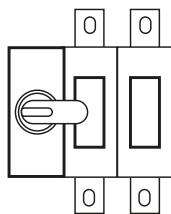
K: direct mount, front operation

S: Side operation (handle not included)

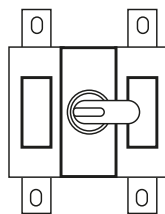
7: Application

blank: PV application

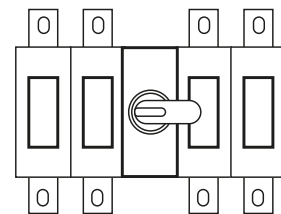
ESS: ESS application



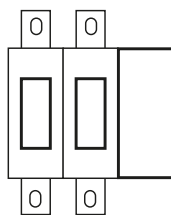
Configuration 02



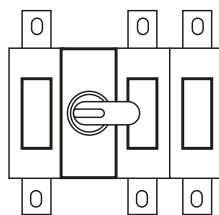
Configuration 11



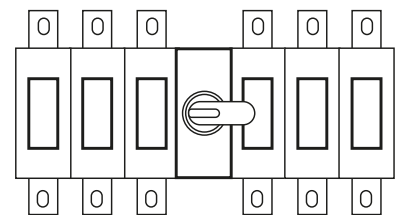
Configuration 22



Configuration 20 (side operated only)



Configuration 12



Configuration 33

Ordering information

IEC

28	OTDC16...32, 1000 VDC
35	OTDCP16...32, 1000 VDC
37	OTDC100...250, 1000 VDC
40	OTDC100...200, 1500 VDC
42	OTDC315...800, 1000 VDC
45	OTDC315...800, 1500 VDC
49	OTDC1000...1600, 1000 VDC

UL

50	OTDC16...32, 1000 VDC
53	OTDC16...32U_T, 1000 VDC
55	OTDC100...245, 1000 VDC
57	OTDC100...245, 1000 VDC, side operated
58	OTDC100...200, 1500 VDC
60	OTDC250...600, 1000 VDC
63	OTDC250...600, 1500 VDC
67	OTDC800...1000, 1000 VDC

Ordering information, IEC

OTDC16...32, 1000 VDC

DC switch-disconnectors accessory guide

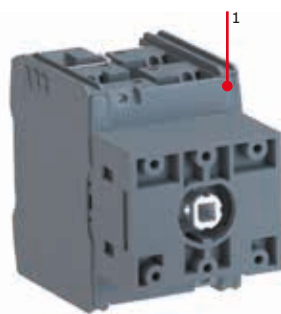
1. Switch-disconnector
2. Shaft
3. Selector handle (options for direct mount or external mount with a shaft available)
4. Legend plate

Please note that not all listed accessories are automatically included in your order.

See next page for recommendations.



— Base mounted



— Door mounted



NOTE: The information in this image applies to both IEC and UL versions of the depicted product.

Switch-disconnectors OTDC, base or DIN-rail mounting, IEC

Types OTDC16...32F include IP20 protected terminal clamps and knob handles.



OTDC16...32F2



OTDC16...32F3



OTDC16...32F4

—
Single circuit use - up to 660 VDC

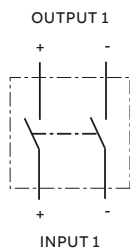
Number of poles	Rated operat. current [A]		Type	Order code	Weight/unit [kg]
	DC 21B / 660 V				
2	16		OTDC16F2	1SCA121454R1001	0.15
2	25		OTDC25F2	1SCA121455R1001	0.15
2	32		OTDC32F2	1SCA121456R1001	0.15

—
Up to 1000 VDC

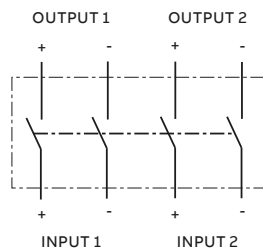
Number of poles	Rated operat. current [A]		Type	Order code	Weight/unit [kg]
	DC 21B / 1000 V				
2	10		OTDC16F2	1SCA121454R1001	0.15
2	16		OTDC25F2	1SCA121455R1001	0.15
2	20		OTDC32F2	1SCA121456R1001	0.15
3	16		OTDC16F3	1SCA121457R1001	0.20
3	25		OTDC25F3	1SCA121458R1001	0.20
3	32		OTDC32F3	1SCA121459R1001	0.20

—
Double circuit use - up to 1000 VDC

Number of poles	Rated operat. current [A]		Type	Order code	Weight/unit [kg]
	DC 21B / 660 V	DC 21B / 1000 V			
2x2	16	10	OTDC16F4	1SCA121461R1001	0.25
2x2	25	16	OTDC25F4	1SCA121462R1001	0.25
2x2	32	20	OTDC32F4	1SCA121463R1001	0.25



—
Single circuit



—
Double circuit

NOTE: The complete list of available accessories can be found in the Accessories section starting on page 67.

Ordering information, IEC

OTDC16...32, 1000 VDC

Switch-disconnectors OTDC_, door mounting, IEC

Types OTDC16...32 include IP20 protected terminal clamps. Shafts and handles need to be ordered separately. Jumpers included in the package.



OTDC16...32FT2



OTDC16...32FT3



OTDC16...32FT4

Single circuit use - up to 660 VDC

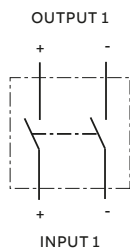
Number of poles	Rated operat. current [A]		Type	Order code	Weight/unit [kg]
	DC 21B / 660 V				
2	16		OTDC16FT2	1SCA123839R1001	0.15
2	25		OTDC25FT2	1SCA123842R1001	0.15
2	32		OTDC32FT2	1SCA123845R1001	0.15

Up to 1000 VDC

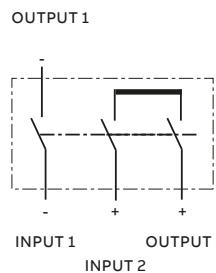
Number of poles	Rated operat. current [A]		Type	Order code	Weight/unit [kg]
	DC 21B / 1000 V				
2	10		OTDC16FT2	1SCA123839R1001	0.20
2	16		OTDC25FT2	1SCA123842R1001	0.20
2	20		OTDC25FT2	1SCA123845R1001	0.20
3	16		OTDC16FT3	1SCA123840R1001	0.20
3	25		OTDC25FT3	1SCA123843R1001	0.20
3	32		OTDC32FT3	1SCA123846R1001	0.20

Double circuit use - up to 1000 VDC

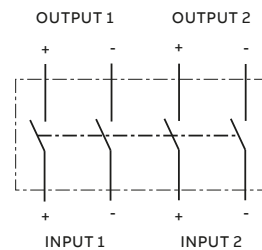
Number of poles	Rated operat. current [A]			Type	Order code	Weight/unit [kg]
	DC 21B / 660 V	DC 21B / 1000 V				
2x2	16	10		OTDC16FT4	1SCA123841R1001	0.25
2x2	25	16		OTDC25FT4	1SCA123844R1001	0.25
2x2	32	20		OTDC32FT4	1SCA123847R1001	0.25



Single circuit



Single circuit for F_3 models



Double circuit

NOTE: The complete list of available accessories can be found in the Accessories section starting on page 67.

Switch-disconnectors OTDC_, base or DIN-rail mounting, IEC

Touch-safe IP20 protected terminal clamps included. Types OTDC16...32US include pre-mounted jumper. Shafts and handles to be ordered separately.



OTDC16...32U2



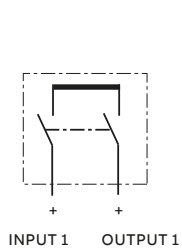
OTDC16...32U4

Single circuit

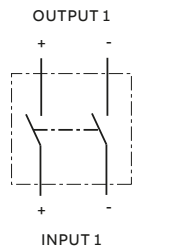
Number of poles	Rated operat. current [A]		Type	Order code	Weight/unit [kg]
	660 VDC	1000 VDC			
2	16	10	OTDC16U2	1SCA134369R1001	0.15
2	25	16	OTDC25U2	1SCA134375R1001	0.15
2	32	-	OTDC32U2	1SCA141976R1001	0.15
2	16	-	OTDC16US2	1SCA134372R1001	0.15
2	25	-	OTDC25US2	1SCA134378R1001	0.15

Double circuit

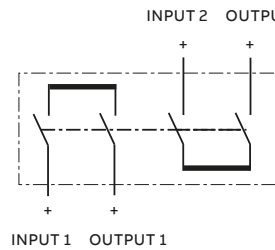
Number of poles	Rated operat. current [A]		Type	Order code	Weight/unit [kg]
	660 VDC	1000 VDC			
4	16	10	OTDC16U4	1SCA134370R1001	0.15
4	25	16	OTDC25U4	1SCA134377R1001	0.15
4	32	20	OTDC32U4	1SCA136703R1001	0.15
4	16	-	OTDC16US4	1SCA134373R1001	0.15
4	25	-	OTDC25US4	1SCA134379R1001	0.15
4	32	-	OTDC32US4	1SCA136704R1001	0.15



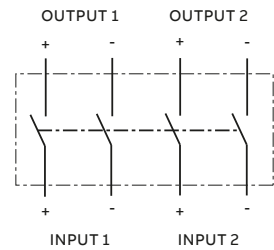
Single circuit, US types



Single circuit, U types



Double circuit, US types



Double circuit, U types

NOTE: The complete list of available accessories can be found in the Accessories section starting on page 67.

Ordering information, IEC

OTDC16...32, 1000 VDC

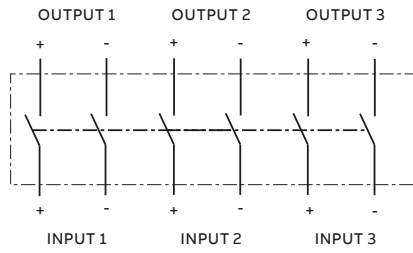
03



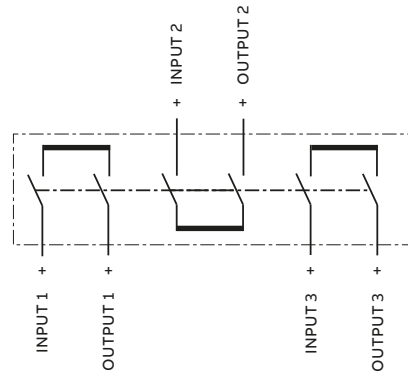
OTDC16...32U6

—
Triple circuit

Number of poles	Rated operat. current [A]		Type	Order code	Weight/unit [kg]
	660 VDC	1000 VDC			
6	16	10	OTDC16U6	1SCA134371R1001	0.15
6	16	-	OTDC16US6	1SCA134374R1001	0.15
6	25	16	OTDC25U6	1SCA141960R1001	0.15
6	32	20	OTDC32U6	1SCA141963R1001	0.15



—
Triple circuit, U types



—
Triple circuit, US types

NOTE: The complete list of available accessories can be found in the Accessories section starting on page 67.

OTDC16...32U_T

Touch-safe IP20 protected terminal clamps included. Types OTDC16...32US include pre-mounted jumper OZXY86. Shafts and handles to be ordered separately.



OTDC16...32UT2,
OTDC16...32UST2



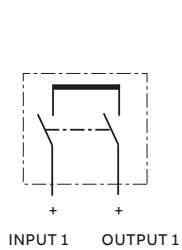
OTDC16...32UT4,
OTDC16...32UST4

—
Single circuit - up to 1000 VDC

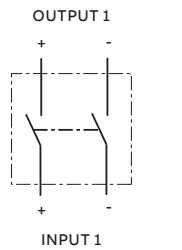
Number of poles	Rated operat. current [A]		Type	Order code	Weight/unit [kg]
	660 VDC	1000 VDC			
2	16	10	OTDC16UT2	1SCA134387R1001	0.15
2	25	16	OTDC25UT2	1SCA134388R1001	0.15
2	16	-	OTDC16UST2	1SCA134581R1001	0.15
2	25	-	OTDC25UST2	1SCA134578R1001	0.15
2	32	-	OTDC32UT2	1SCA141966R1001	0.15

—
Double circuit - up to 1000 VDC

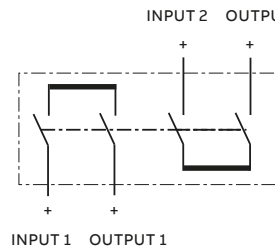
Number of poles	Rated operat. current [A]		Type	Order code	Weight/unit [kg]
	660 VDC	1000 VDC			
4	16	10	OTDC16UT4	1SCA134390R1001	0.15
4	25	16	OTDC25UT4	1SCA134391R1001	0.15
4	32	20	OTDC32UT4	1SCA136705R1001	0.15
4	16	-	OTDC16UST4	1SCA134582R1001	0.15
4	25	-	OTDC25UST4	1SCA134579R1001	0.15
4	32	-	OTDC32UST4	1SCA136706R1001	0.15



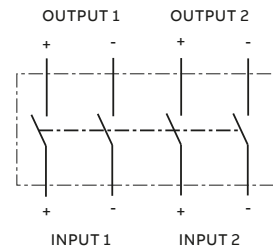
—
Single circuit, US types



—
Single circuit, U types



—
Double circuit, US types



—
Double circuit, U types

NOTE: The complete list of available accessories can be found in the Accessories section starting on page 67.

Ordering information, IEC

OTDC16...32, 1000 VDC

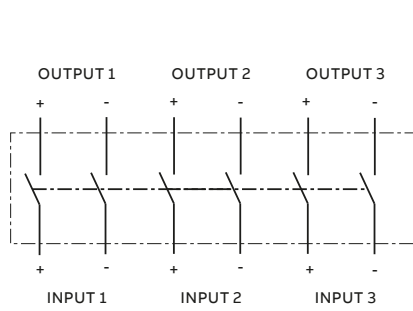
03



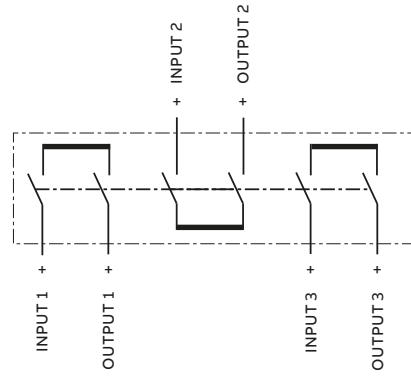
OTDC16...32UT6,
OTDC16...32UST6

Triple circuit - up to 1000 VDC

Number of poles	Rated operat. current [A]		Type	Order code	Weight/unit [kg]
	660 VDC	1000 VDC			
6	16	10	OTDC16UT6	1SCA134580R1001	0.15
6	16	-	OTDC16UST6	1SCA134583R1001	0.15



Triple circuit, U types



Triple circuit, US types

NOTE: The complete list of available accessories can be found in the Accessories section starting on page 67.

Ordering information, IEC

OTDCP16...32, 1000 VDC

Plastic enclosed switch-disconnectors OTDCP_, IEC

M20 threaded knock-outs, compression glands have to be ordered separately.

M16 threaded knock-outs available on request.



OTDCP_SA_



OTDCP_S_M20

Up to 660 VDC

Number of poles	Rated operat. current [A] DC 21B / 660 V	Type	Order code	Weight/unit [kg]
-----------------	---	------	------------	------------------

Includes red-yellow selector handle (I-0 and ON-OFF indication)

2	16	OTDCP16SA11M	1SCA125126R1001	0.55
2	25	OTDCP25SA11M	1SCA125127R1001	0.55
2	32	OTDCP32SA11M	1SCA125128R1001	0.55

Includes black selector handle (I-0 and ON-OFF indication)

2	16	OTDCP16S11M	1SCA125129R1001	0.55
2	25	OTDCP25S11M	1SCA125130R1001	0.55
2	32	OTDCP32S11M	1SCA125131R1001	0.55

Up to 1000 VDC

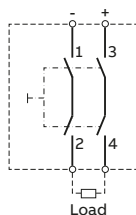
Number of poles	Rated operat. current [A] DC 21B / 1000 V	Type	Order code	Weight/unit [kg]
-----------------	--	------	------------	------------------

Includes red-yellow selector handle (I-0 and ON-OFF indication)

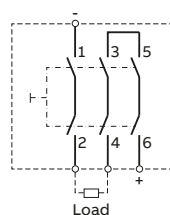
3	16	OTDCP16SA12M	1SCA125150R1001	0.55
3	25	OTDCP25SA12M	1SCA125151R1001	0.55
3	32	OTDCP32SA12M	1SCA125152R1001	0.55

Includes black selector handle (I-0 and ON-OFF indication)

3	16	OTDCP16S12M	1SCA125153R1001	0.59
3	25	OTDCP25S12M	1SCA125154R1001	0.59
3	32	OTDCP32S12M	1SCA125155R1001	0.59



OTDCP_11_



OTDCP_12_

NOTE: The complete list of available accessories can be found in the Accessories section starting on page 67.

Ordering information, IEC

OTDCP16...32, 1000 VDC



OTDCP_S_M25

Up to 1000 VDC or 2x660 VDC

Number of poles	Rated operat. current [A]		Type	Order code	Weight/unit [kg]
	DC 21B / 1000 V				
Includes red-yellow selector handle (I-0 and ON-OFF indication). The _M25 versions have M25 threaded knockouts					
4	16		OTDCP16SA22M	1SCA125094R1001	0.63
4	25		OTDCP25SA22M	1SCA125091R1001	0.63
4	32		OTDCP32SA22M	1SCA125090R1001	0.63
4	16		OTDCP16SA22M25	1SCA144900R1001	0.63
4	25		OTDCP25SA22M25	1SCA144902R1001	0.63
4	32		OTDCP32SA22M25	1SCA144904R1001	0.63

Includes black selector handle (I-0 and ON-OFF indication)

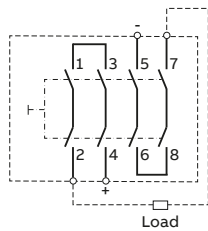
4	16		OTDCP16S22M	1SCA125095R1001	0.63
4	25		OTDCP25S22M	1SCA125092R1001	0.63
4	32		OTDCP32S22M	1SCA125093R1001	0.63

Double circuit

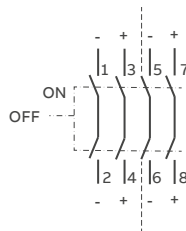
Number of poles	Rated operat. current [A]			Type	Order code	Weight/unit [kg]
	DC 21B / 660 V	DC 21B / 1000 V				
Includes red-yellow selector handle (I-0 and ON-OFF indication)						
4	16	10		OTDCP16SA22MD	1SCA131850R1001	0.63
4	25	16		OTDCP25SA22MD	1SCA131851R1001	0.63
4	32	20		OTDCP32SA22MD	1SCA131852R1001	0.63

Includes black selector handle (I-0 and ON-OFF indication)

4	16	10		OTDCP16S22MD	1SCA131730R1001	0.63
4	25	16		OTDCP25S22MD	1SCA131731R1001	0.63
4	32	20		OTDCP32S22MD	1SCA131732R1001	0.63



OTDCP_22_



OTDCP_22MD

NOTE: The complete list of available accessories can be found in the Accessories section starting on page 67.

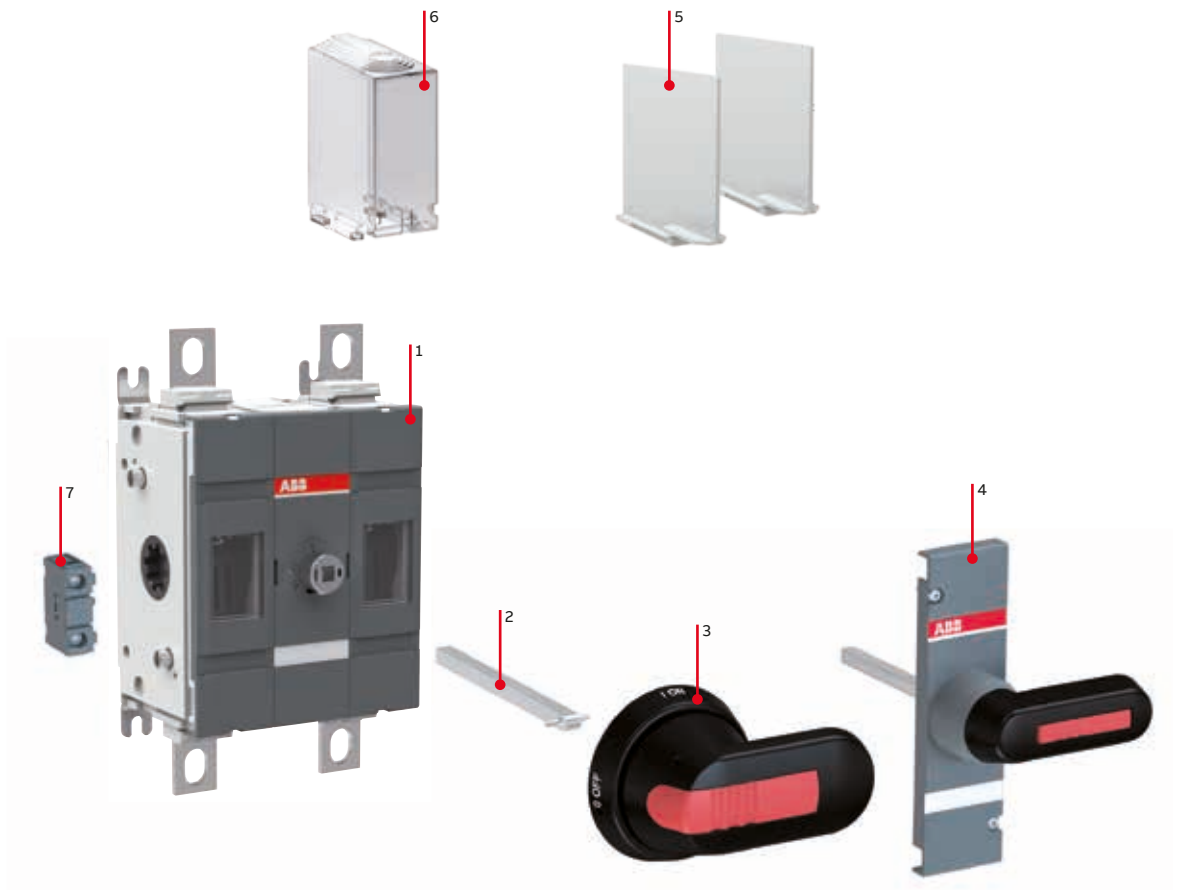
Ordering information, IEC

OTDC100...250, 1000 VDC

DC switch-disconnectors accessory guide

1. Switch-disconnector
2. Shaft
3. Pistol handle
4. Direct mount handle
5. Phase barriers
6. Terminal shroud
7. Auxiliary contact

Please note that not all listed accessories are automatically included in your order. See next page for recommendations.



NOTE: The information in this image applies to both IEC and UL versions of the depicted product.

Ordering information, IEC

OTDC100...250, 1000 VDC



OTDC100...250E02



OTDC100...250E11



OTDC100...250E22

Single circuit, 1000 VDC, IEC - 100...250 A

Shafts and handles are not included. Switches with external handle (OTDC_P, e.g. OTDC200E02P) or direct mount handle (OTDC_K, e.g. OTDC200E02K) are available.

Number of poles	Circuit	Rated operat. current [A]		Type	Order code	Weight/unit [kg]
		DC 21 / 1000 V				
Front operated, mechanism at the end of the switch						
2	2a, 2b	100		OTDC100E02	1SCA125822R1001	1.1
2	2a, 2b	160		OTDC160E02	1SCA125840R1001	1.1
2	2a, 2b	200		OTDC200E02	1SCA123687R1001	1.1
2	2a, 2b	250		OTDC250E02	1SCA125866R1001	1.1

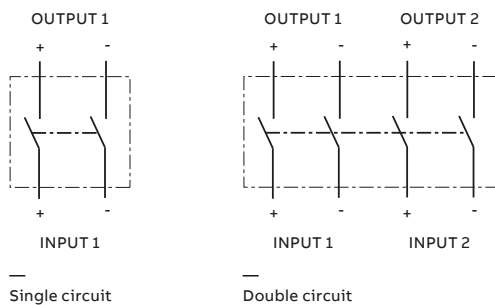
Front operated, mechanism between the poles. OTDC_EPP types include pre-mounted connection bars

2	2a, 2b	100		OTDC100E11	1SCA125821R1001	1.1
2	2a, 2b	160		OTDC160E11	1SCA123745R1001	1.1
2	2a, 2b	200		OTDC200E11	1SCA125626R1001	1.1
2	2a, 2b	250		OTDC250E11	1SCA125865R1001	1.1

Double circuit, 1000 VDC, IEC - 100...250 A

The switches OTDC_E22 can be used for double circuit applications. Shafts and handles are not included. Switches with external handle (OTDC_P, e.g. OTDC200E22P) or direct mount handle (OTDC_K, e.g. OTDC200E22K) are available.

Number of poles	Circuit	Rated operat. current [A]		Type	Order code	Weight/unit [kg]
		DC 21 / 1000 V				
Mechanism between the poles						
2x2	4a, 4c	100		OTDC100E22	1SCA125824R1001	1.9
2x2	4a, 4c	160		OTDC160E22	1SCA125844R1001	1.9
2x2	4a, 4c	200		OTDC200E22	1SCA125856R1001	1.9
2x2	4a, 4c	250		OTDC250E22	1SCA125869R1001	1.9



NOTE: The complete list of available accessories can be found in the Accessories section starting on page 67.



OTDC100...200E33

Triple circuit, 1000 VDC, IEC - 100...250 A

The switches OTDC_E33 can be used for double circuit applications. Shafts and handles are not included. Switches with external handle (OTDC_P, e.g. OTDC200E33P) or direct mount handle (OTDC_K, e.g. OTDC200E33K) are available.

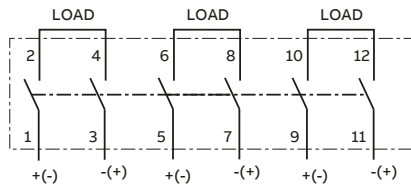
Number of poles	Circuit	Rated operat. current [A]		Type	Order code	Weight/unit [kg]
		DC 21 / 1000 V				

Mechanism between the poles

3x2	7a, 7e	100	OTDC100E33	1SCA149066R1001	2.8
3x2	7a, 7e	160	OTDC160E33	1SCA149065R1001	2.8
3x2	7a, 7e	200	OTDC200E33	1SCA149067R1001	2.8

Recommended shafts, handles and bolt kits

Suitable for switches	Shaft	Handle	Bolt kit
OTDC100...250	OXp6X210	OHB65J6	M8x25
OTDC100...250	-	OTDV250EK	M8x25



Triple circuit

NOTE: The complete list of available accessories can be found in the Accessories section starting on page 67.

Ordering information, IEC

OTDC100...200, 1500 VDC

03



OTDC100...200EV22

—
Single circuit, 1500 VDC, IEC - 100...200 A

The switches OTDC_EV22 can be used for single circuit 1500VDC applications. Shafts and handles are not included. Phase barriers included.

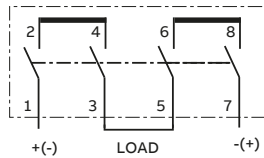
Number of poles	Circuit	Rated operat. current [A]		Type	Order code	Weight/unit [kg]
		DC 21 / 1500 V				

—
OTDC100...200EV22 - Mechanism between the poles

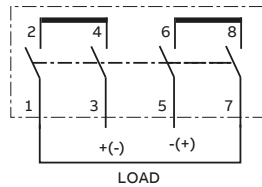
2x2	6a, 6b	100	OTDC100EV22	1SCA149073R1001	2.3
2x2	6a, 6b	160	OTDC160EV22	1SCA149080R1001	2.3
2x2	6a, 6b	200	OTDC200EV22	1SCA149081R1001	2.3

—
Recommended shafts, handles and bolt kits

Suitable for switches	Shaft	Handle	Bolt kit
OTDC100...250	OSP6X210	OHB65J6	M8x25
OTDC100...250	-	OTDV250EK	M8x25



—
Single circuit
Connection 6a



—
Single circuit
Connection 6b

NOTE: The complete list of available accessories can be found in the Accessories section starting on page 67.

Ordering information, IEC

OTDC315...800, 1000 VDC and 1500 VDC

DC switch-disconnectors accessory guide

1. Switch-disconnector
2. Shaft
3. Pistol handle
4. Direct mount handle
5. Phase barrier
6. Terminal shrouds
7. Auxiliary contact

Please note that not all listed accessories are automatically included in your order.
See next page for recommendations.



NOTE: The information in this image applies to IEC version of the depicted product.

Ordering information, IEC

OTDC315...800, 1000 VDC

03



OTDC315...630F02



OTDC315...800F11

Single circuit, 1000 VDC, IEC - 315...630 A

Shafts and handles are not included. Switches with external handle (OTDC_P, e.g. OTDC400F11P) or direct mount handle (OTDC_K, e.g.OTDC400F11K) are available. Phase barriers are included in types OTDC315...630F02 - installation mandatory.

Number of poles	Circuit	Rated operat. current [A]		Order code	Weight/unit [kg]
		DC21B / 1000 V	Type		
Front operated, mechanism at the end of the switch					
2	2a, 2b	315	OTDC315F02	1SCA158170R1001	3.41
2	2a, 2b	400	OTDC400F02	1SCA158194R1001	3.41
2	2a, 2b	500	OTDC500F02	1SCA158206R1001	3.41
2	2a, 2b	630	OTDC630F02	1SCA158230R1001	3.41

Front operated, mechanism between the poles

2	2a, 2b	315	OTDC315F11	1SCA158172R1001	3.41
2	2a, 2b	400	OTDC400F11	1SCA158196R1001	3.41
2	2a, 2b	500	OTDC500F11	1SCA158220R1001	3.41
2	2a, 2b	630	OTDC630F11	1SCA158244R1001	3.41
2	2a, 2b	800	OTDC800F11	1SCA158853R1001	3.41

Recommended shafts, handles and bolt kits

Suitable for switches	Shaft	Handle	Bolt kit
OTDC315...800	-	OXP12x185	M10x30
		OHB95J12	M12x40
		OHB125J12	
		OHB145J12	
		OTDV400FK1	
		OTDV400FK2	

OTDC315...630F02



Circuit 2a, 2b

OTDC315...800F11



Circuit 2a, 2b

NOTE: The complete list of available accessories can be found in the Accessories section starting on page 67.



OTDC315...630F22

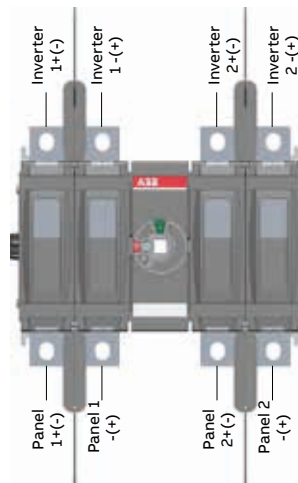
Double circuit, 1000 VDC, IEC - 315...630 A
 Shafts and handles are not included. Switches with external handle (OTDC_P, e.g. OTDC400F22P) or direct mount handle (OTDC_K, e.g.OTDC400F22K) are available. Phase barriers are included in types OTDC315...630F22_ - installation mandatory.

Number of poles	Circuit	Rated operat. current [A] DC21B / 1000 V	Type	Order code	Weight/unit [kg]
Front operated, mechanism between the poles					
4	4a,4c	315	OTDC315F22	1SCA158294R1001	5.94
4	4a,4c	400	OTDC400F22	1SCA158298R1001	5.94
4	4a,4c	500	OTDC500F22	1SCA158302R1001	5.94
4	4a,4c	630	OTDC630F22	1SCA158306R1001	5.94

Recommended shafts, handles and bolt kits

Suitable for switches	Shaft	Handle	Bolt kit
OTDC315...630	OX P12x185	OHB145J12	M10x30
	-	OTDV400FK2	M12x40

OTDC315...630F22



Circuit 4a, 4c

NOTE: The complete list of available accessories can be found in the Accessories section starting on page 67.

Ordering information, IEC

OTDC315...800, 1000 VDC



OTDC315...500F33

Triple circuit, 1000 VDC, IEC - 315...500 A

Shafts and handles are not included. Switches with external handle (OTDC_P, e.g. OTDC400F33P) or direct mount handle (OTDC_K, e.g. OTDC400F33K) are available. Phase barriers are included in types OTDC315...500F33 - installation mandatory.

Number of poles	Circuit	Rated operat. current [A]		Order code	Weight/unit [kg]
		DC21B / 1000 V	Type		

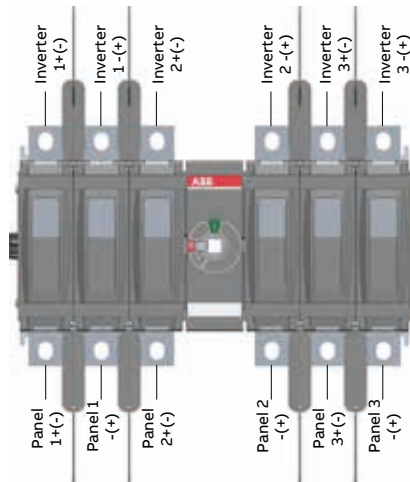
Front operated, mechanism between the poles

6	7a,7e	315	OTDC315F33	1SCA158286R1001	8.47
6	7a,7e	400	OTDC400F33	1SCA158287R1001	8.47
6	7a,7e	500	OTDC500F33	1SCA158288R1001	8.47

Recommended shafts, handles and bolt kits

Suitable for switches	Shaft	Handle	Bolt kit
OTDC315...500	OX P12x185	OHB145J12	M10x30
	-	OTDV400FK2	M12x40

OTDC315...500F33



Circuit 7a, 7e

NOTE: The complete list of available accessories can be found in the Accessories section starting on page 67.

Ordering information, IEC

OTDC315...800, 1500 VDC



OTDC315...630FV02



OTDC315...800FV11

Single circuit, 1500 VDC, IEC - 315...630 A

Shafts and handles are not included. Switches with external handle (OTDC_P, e.g. OTDC400FV11P) or direct mount handle (OTDC_K, e.g.OTDC400FV11K) are available. Phase barriers are included in types OTDC315...630FV02 - installation mandatory.

Number of poles	Circuit	Rated operat. current [A]		Order code	Weight/unit [kg]
		DC21B / 1500 V	Type		
Front operated, mechanism at the end of the switch					
2	2a,2b	315	OTDC315FV02	1SCA158176R1001	3.41
2	2a,2b	400	OTDC400FV02	1SCA158200R1001	3.41
2	2a,2b	500	OTDC500FV02	1SCA158224R1001	3.41
2	2a,2b	630	OTDC630FV02	1SCA158248R1001	3.41

Front operated, mechanism between the poles

2	2a,2b	315	OTDC315FV11	1SCA158178R1001	3.41
2	2a,2b	400	OTDC400FV11	1SCA158202R1001	3.41
2	2a,2b	500	OTDC500FV11	1SCA158226R1001	3.41
2	2a,2b	630	OTDC630FV11	1SCA158250R1001	3.41
2	2a,2b	800	OTDC800FV11	1SCA158856R1001	3.41

Recommended shafts, handles and bolt kits

Suitable for switches	Shaft	Handle	Bolt kit
OTDC315...800	-	OXP12x185	M10x30
		OHB95J12	M12x40
		OHB125J12	
		OHB145J12	
		OTDV400FK1	
		OTDV400FK2	

OTDC315...630FV02



Circuit 2a, 2b

OTDC315...800FV11



Circuit 2a, 2b

NOTE: The complete list of available accessories can be found in the Accessories section starting on page 67.

Ordering information, IEC

OTDC315...800, 1500 VDC



OTDC315...630FV22

Double circuit, 1500 VDC, IEC - 315...630 A

Shafts and handles are not included. Switches with external handle (OTDC_P, e.g. OTDC400FV22P) or direct mount handle (OTDC_K, e.g. OTDC400FV22K) are available. Phase barriers are included in types OTDC315...630FV22_ - installation mandatory.

Number of poles	Circuit	Rated operat. current [A]		Type	Order code	Weight/unit [kg]
		DC21B / 1500 V				

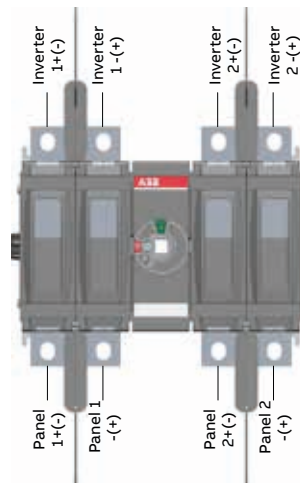
Front operated, mechanism between the poles

4	4a,4c	315		OTDC315FV22	1SCA158295R1001	5.94
4	4a,4c	400		OTDC400FV22	1SCA158299R1001	5.94
4	4a,4c	500		OTDC500FV22	1SCA158303R1001	5.94
4	4a,4c	630		OTDC630FV22	1SCA158307R1001	5.94

Recommended shafts, handles and bolt kits

Suitable for switches	Shaft	Handle	Bolt kit
OTDC315...630	OX P12x185	OHB145J12	M10x30
	-	OTDV400FK2	M12x40

OTDC315...630FV22



Circuit 4a, 4c

NOTE: The complete list of available accessories can be found in the Accessories section starting on page 67.



OTDC315...500FV33

Triple circuit, 1500 VDC, IEC - 315...500 A

Shafts and handles are not included. Switches with external handle (OTDC_P, e.g. OTDC400F33P) or direct mount handle (OTDC_K, e.g.OTDC400F33K) are available. Phase barriers are included in types OTDC315...500F33 - installation mandatory.

Number of poles	Circuit	Rated operat. current [A]		Order code	Weight/unit [kg]
		DC21B / 1000 V	Type		

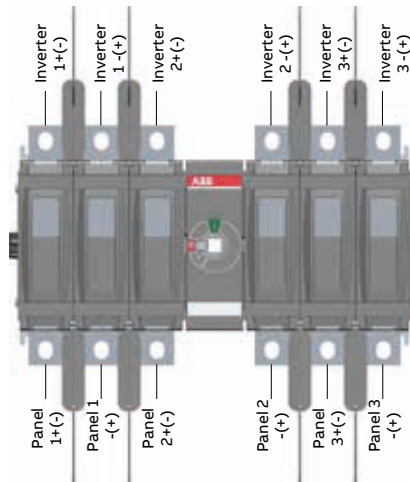
Front operated, mechanism between the poles

6	7a,7e	315	OTDC315FV33	1SCA158844R1001	8.47
6	7a,7e	400	OTDC400FV33	1SCA158847R1001	8.47
6	7a,7e	500	OTDC500FV33	1SCA158850R1001	8.47

Recommended shafts, handles and bolt kits

Suitable for switches	Shaft	Handle	Bolt kit
OTDC315...500	OX P12x185	OHB95J12	M10x30
		OHB125J12	M12x40
		OHB145J12	
	-	OTDV400FK2	

OTDC315...500FV33



Circuit 7a, 7e

Ordering information, IEC

OTDC315...800, 1500 VDC

ESS Switch disconnectors

DC Switch disconnectors intended for Energy Storage System, ESS applications. Higher performance level compared to the PV Switch-disconnectors ensures reliable breaking for higher short-circuit currents.



OTDC315...630FV11-ESS

Single circuit, 1500 VDC, IEC - 315...630 A

Shafts and handles are not included. Switches with external handle (OTDC_P, e.g. OTDC400FV11P-ESS) or direct mount handle (OTDC_K, e.g. OTDC400FV11K-ESS) are available.

Number of poles	Circuit	Rated operat. current [A] DC21B / 1500 V	Type	Order code	Weight/unit [kg]
-----------------	---------	---	------	------------	------------------

Front operated, mechanism between the poles

2	2a,2b	315	OTDC315FV11-ESS	1SCA158179R1001	3.41
2	2a,2b	400	OTDC400FV11-ESS	1SCA158203R1001	3.41
2	2a,2b	500	OTDC500FV11-ESS	1SCA158227R1001	3.41
2	2a,2b	630	OTDC630FV11-ESS	1SCA158251R1001	3.41

Recommended shafts, handles and bolt kits

Suitable for switches	Shaft	Handle	Bolt kit
OTDC315...630	OX12x185	OHB95J12	M10x30
		OHB125J12	M12x40
		OHB145J12	
	-	OTDV400FK1	
		OTDV400FK2	

OTDC315...630FV11-ESS



Circuit 2a, 2b

NOTE: The complete list of available accessories can be found in the Accessories section starting on page 67.

Ordering information, IEC

OTDC1000...1600, 1000 VDC



OTDC1000...1600E22



OTDC1000...1250E22



OTDC1600E22

Single circuit, 1000 VDC, IEC - 1000 to 1600 A

Front operated, mechanism at the end of the switch. Switches with external handle (OTDC_P, e.g. OTDC1600E22P) or direct mount handle (OTDC_K, e.g. OTDC1600E22K) are available. Phase barriers included. Included terminal bolts: M12X60.

Number of poles	Circuit	Rated operat. current [A]		Type	Order code	Weight/unit [kg]
		DC 21 / 1000 V				

Handle and shaft not included

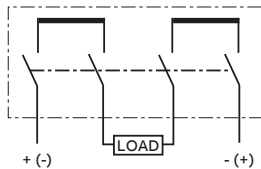
4	6a, 6b	1000		OTDC1000E22	1SCA142337R1001	21
4	6a, 6b	1250		OTDC1250E22	1SCA140871R1001	21
4	6a, 6b	1600		OTDC1600E22	1SCA143718R1001	21

External handle OHB274J12 and shaft OXP12X280 included

4	6a, 6b	1000		OTDC1000E22P	1SCA143711R1001	21
4	6a, 6b	1250		OTDC1250E22P	1SCA143717R1001	21
4	6a, 6b	1600		OTDC1600E22P	1SCA143720R1001	21

Direct mount handle OTV1000EK included

4	6a, 6b	1000		OTDC1000E22K	1SCA143710R1001	21
4	6a, 6b	1250		OTDC1250E22K	1SCA143716R1001	21
4	6a, 6b	1600		OTDC1600E22K	1SCA143719R1001	21



Single circuit

NOTE: The complete list of available accessories can be found in the Accessories section starting on page 67.

Ordering information, UL

OTDC16...32, 1000 VDC

DC switch-disconnectors accessory guide

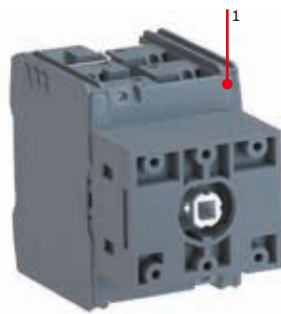
1. Switch-disconnector
2. Shaft
3. Selector handle (options for direct mount or external mount with a shaft available)
4. Legend plate

Please note that not all listed accessories are automatically included in your order.

See next page for recommendations.



— Base mounted



— Door mounted



NOTE: The information in this image applies to both IEC and UL versions of the depicted product.

Ordering information, UL

OTDC16...32, 1000 VDC

Switch-disconnectors OTDC_, base or DIN-rail mounting, UL

Touch-safe IP20 protected terminal clamps included. Types OTDC16...32US include pre-mounted jumper. Shafts and handles to be ordered separately.



OTDC16...32U2



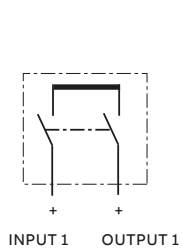
OTDC16...32U4

Single circuit

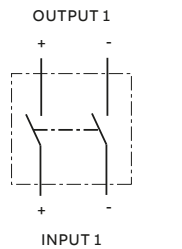
Number of poles	Rated operat. current [A]			Type	Order code	Weight/unit [kg]
	UL	IEC				
	600 VDC	660 VDC	1000 VDC			
2	16	16	10	OTDC16U2	1SCA134369R1001	0.15
2	25	25	16	OTDC25U2	1SCA134375R1001	0.15
2	32	32	-	OTDC32U2	1SCA141976R1001	0.15
2	16	16	-	OTDC16US2	1SCA134372R1001	0.15
2	25	25	-	OTDC25US2	1SCA134378R1001	0.15

Double circuit

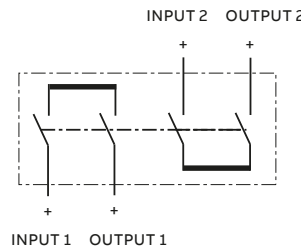
Number of poles	Rated operat. current [A]			Type	Order code	Weight/unit [kg]
	UL	IEC				
	600 VDC	660 VDC	1000 VDC			
4	16	16	10	OTDC16U4	1SCA134370R1001	0.15
4	25	25	16	OTDC25U4	1SCA134377R1001	0.15
4	32	32	20	OTDC32U4	1SCA136703R1001	0.15
4	16	16	-	OTDC16US4	1SCA134373R1001	0.15
4	25	25	-	OTDC25US4	1SCA134379R1001	0.15
4	32	32	-	OTDC32US4	1SCA136704R1001	0.15



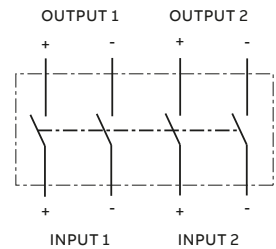
Single circuit, US types



Single circuit, U types



Double circuit, US types



Double circuit, U types

NOTE: The complete list of available accessories can be found in the Accessories section starting on page 67.

Ordering information, UL

OTDC16...32, 1000 VDC

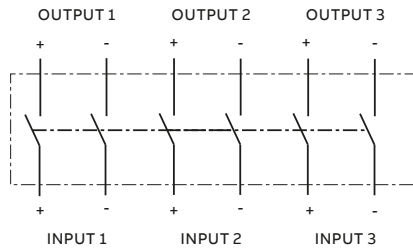
03



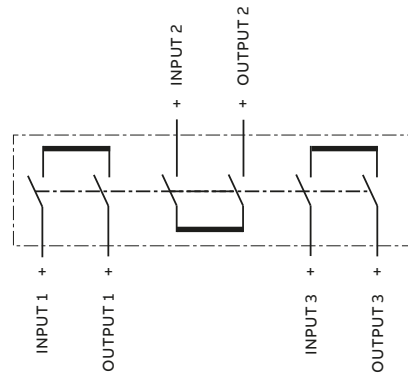
OTDC16...32U6

—
Triple circuit

Number of poles	Rated operat. current [A]			Type	Order code	Weight/unit [kg]
	UL	IEC				
	600 VDC	660 VDC	1000 VDC			
6	16	16	10	OTDC16U6	1SCA134371R1001	0.15
6	16	16	-	OTDC16US6	1SCA134374R1001	0.15
6	25	25	-	OTDC25U6	1SCA141960R1001	0.15
6	32	32	-	OTDC32U6	1SCA141963R1001	0.15



— Triple circuit, U types



— Triple circuit, US types

NOTE: The complete list of available accessories can be found in the Accessories section starting on page 67.

Ordering information, UL

OTDC16...32U_T, 1000 VDC

OTDC16...32U_T

Touch-safe IP20 protected terminal clamps included. Types OTDC16...32US include pre-mounted jumper OEZXY86. Shafts and handles to be ordered separately.



OTDC16...32UT2,
OTDC16...32UST2



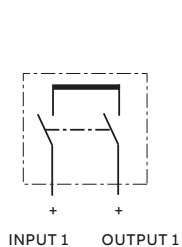
OTDC16...32UT4,
OTDC16...32UST4

Single circuit - up to 1000 VDC

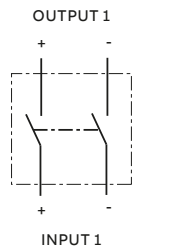
Number of poles	Rated operat. current [A]			Type	Order code	Weight/unit [kg]
	UL	IEC				
	600 VDC	660 VDC	1000 VDC			
2	16	16	10	OTDC16UT2	1SCA134387R1001	0.15
2	25	25	16	OTDC25UT2	1SCA134388R1001	0.15
2	16	16	-	OTDC16UST2	1SCA134581R1001	0.15
2	25	25	-	OTDC25UST2	1SCA134578R1001	0.15
2	32	32	-	OTDC32UT2	1SCA141966R1001	0.15

Double circuit - up to 1000 VDC

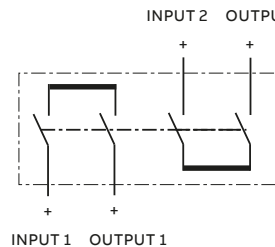
Number of poles	Rated operat. current [A]			Type	Order code	Weight/unit [kg]
	UL	IEC				
	600 VDC	660 VDC	1000 VDC			
4	16	16	10	OTDC16UT4	1SCA134390R1001	0.15
4	25	25	16	OTDC25UT4	1SCA134391R1001	0.15
4	32	32	20	OTDC32UT4	1SCA136705R1001	0.15
4	16	16	-	OTDC16UST4	1SCA134582R1001	0.15
4	25	25	-	OTDC25UST4	1SCA134579R1001	0.15
4	32	32	-	OTDC32UST4	1SCA136706R1001	0.15



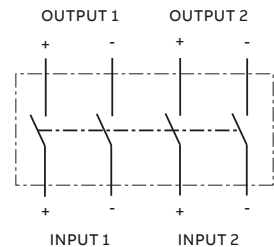
Single circuit, US types



Single circuit, U types



Double circuit, US types



Double circuit, U types

NOTE: The complete list of available accessories can be found in the Accessories section starting on page 67.

Ordering information, UL

OTDC16...32U_T, 1000 VDC

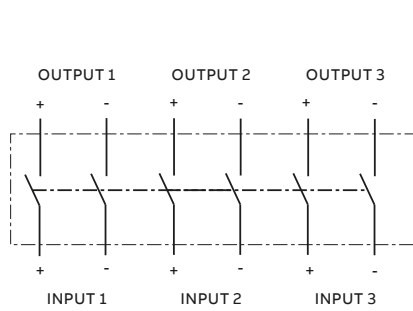
03



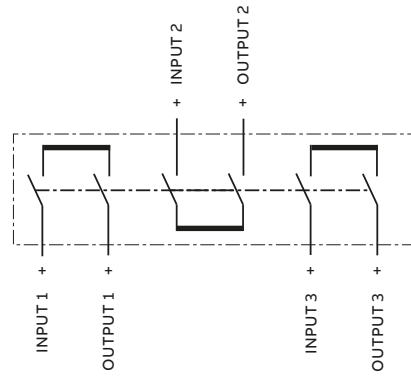
OTDC16...32UT6,
OTDC16...32UST6

Triple circuit - up to 1000 VDC

Number of poles	Rated operat. current [A]			Type	Order code	Weight/unit [kg]
	UL		IEC			
	600 VDC	660 VDC	1000 VDC			
6	16	16	10	OTDC16UT6	1SCA134580R1001	0.15
6	16	16	-	OTDC16UST6	1SCA134583R1001	0.15



Triple circuit, U types



Triple circuit, US types

NOTE: The complete list of available accessories can be found in the Accessories section starting on page 67.

Ordering information, UL

OTDC100...245, 1000 VDC



OTDC100...200US02



OTDC100U...200US11



OTDC100...180US22



OTDC100...200U22

Single circuit, 1000 VDC, UL98B - 100...250 A

Shafts and handles are not included. Switches with direct mount handle (OTDC_K, e.g. OTDC100E02K) are available. Phase barriers are included in types OTDC100...245U02 - installation mandatory.

Number of poles	Circuit	Rated operat. current [A]		Order code	Weight/unit [kg]
		UL98B / 1000 V	Type		
Front operated, mechanism at the end of the switch. OTDC_US types include pre-mounted connection bar kit.					
2	1a	100	OTDC100US02	1SCA126155R1001	1.2
2	1a	200	OTDC200US02	1SCA126121R1001	1.2
2	1a	250	OTDC245US02	1SCA149106R1001	1.2
2	2a, 2b	100	OTDC100U02	1SCA126184R1001	1.1
2	2a, 2b	200	OTDC200U02	1SCA126123R1001	1.1
2	2a, 2b	250	OTDC245U02	1SCA149100R1001	1.1

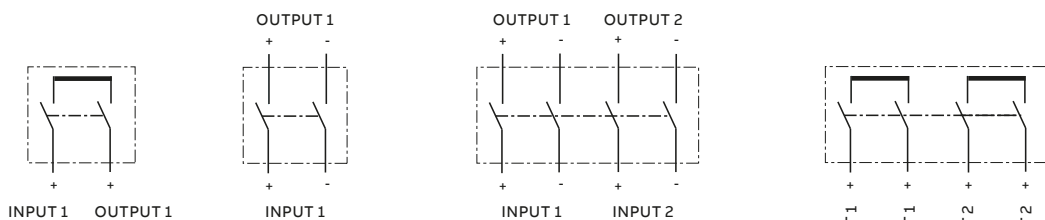
Front operated, mechanism between the poles. OTDC_US types include pre-mounted connection bar kit.

2	1a	100	OTDC100US11	1SCA125437R1001	1.2
2	1a	200	OTDC200US11	1SCA125436R1001	1.2
2	1a	250	OTDC245US11	1SCA149108R1001	1.2
2	2a, 2b	100	OTDC100U11	1SCA123957R1001	1.1
2	2a, 2b	200	OTDC200U11	1SCA123767R1001	1.1
2	2a, 2b	250	OTDC245U11	1SCA149102R1001	1.1

Double circuit, 1000 VDC, UL98B - 100...200 A

The switches OTDC_U22 and OTDCUS22 can be used for double circuit applications. Shafts and handles are not included. Switches with direct mount handle (OTDC_K, e.g. OTDC180U22K) are available. Phase barriers are included.

Number of poles	Circuit	Rated operat. current [A]		Order code	Weight/unit [kg]
		UL98B / 1000 V	Type		
Front operated, mechanism between the poles. OTDC_US types include pre-mounted connection bar kit.					
2x2	3	100	OTDC100US22	1SCA126181R1001	2.5
2x2	3	180	OTDC180US22	1SCA126942R1001	2.5
2x2	3	200	OTDC200US22	1SCA126189R1001	2.5
2x2	4a	100	OTDC100U22	1SCA126180R1001	2.3
2x2	4a	180	OTDC180U22	1SCA126941R1001	2.3
2x2	4a	200	OTDC200U22	1SCA126129R1001	2.3



Single circuit, US types

Single circuit, U types

Double circuit, U types

Double circuit, US types

NOTE: The complete list of available accessories can be found in the Accessories section starting on page 67.

Ordering information, UL

OTDC100...245, 1000 VDC

03



Triple circuit, 1000 VDC, UL98B - 100...200 A

The switches OTDC_US33 and OTDC_US33 can be used for triple circuit applications. Shafts and handles are not included. Switches with direct mount handle (OTDC_K, e.g. OTDC180U33K) are available. Phase barriers are included - installation mandatory.

Number of poles	Circuit	Rated operat. current [A]		Type	Order code	Weight/unit [kg]
		UL98B / 1000 V				

OTDC100...200US33

Front operated, mechanism between the poles. OTDC_US types include pre-mounted connection bar kit.

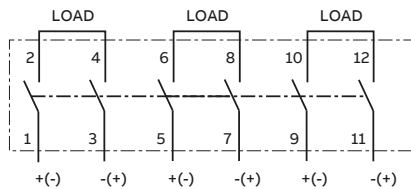
3x2	7i	100	OTDC100US33	1SCA149086R1001	3.2
3x2	7i	200	OTDC200US33	1SCA149087R1001	3.2
3x2	7a, 7e	100	OTDC100U33	1SCA149069R1001	2.8
3x2	7a, 7e	200	OTDC200U33	1SCA149090R1001	2.8



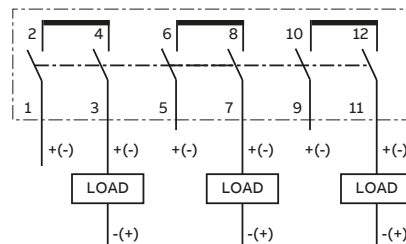
OTDC100...200U33

Recommended shafts, handles and bolt kits

Suitable for switches	Shaft	Handle	Bolt kit
OTDC100...245	EXP6X210	OHB65J6	M8x25
OTDC100...245	-	OTDV250EK	M8x25



Triple circuit, U types



Triple circuit, US types

NOTE: The complete list of available accessories can be found in the Accessories section starting on page 67.

Ordering information, UL

OTDC100...245, 1000 VDC, side operated



OTDC100...200U20S



OTDC100...200US20S

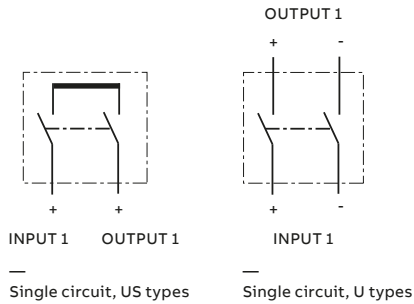
Side operated, single circuit, 1000 VDC, UL98B - 100...250 A

Side operation. Shafts and handles are not included. OTDC_US types include pre-mounted connection bar kit. The mechanism is located at the end of the switch. Phase barriers are included - installation mandatory.

Number of poles	Circuit	Rated operat. current [A]		Type	Order code	Weight/unit [kg]
		UL98B / 1000 V				
2	1a	100		OTDC100US20S	1SCA131541R1001	1.7
2	1a	200		OTDC200US20S	1SCA131549R1001	1.7
2	1a	250		OTDC245US20S	1SCA149115R1001	1.7
2	2a	100		OTDC100U20S	1SCA131540R1001	1.3
2	2a	200		OTDC200U20S	1SCA131548R1001	1.5
2	2a	250		OTDC245U20S	1SCA149113R1001	1.5

Recommended shafts, handles and bolt kits

Suitable for switches	Shaft	Handle	Bolt kit
OTDC100...250	EXP6X210	OHB65JE005	M8x25



NOTE: The complete list of available accessories can be found in the Accessories section starting on page 67.

Ordering information, UL

OTDC100...200, 1500 VDC

03



OTDC100...200UV22



OTDC100...200USV22

Single circuit, 1500 VDC, UL98B -100...200 A

The switches OTDC_UV22 and OTDC_USV22 can be used for 1500VDC single circuit applications. Shafts and handles are not included. Phase barriers are included - installation mandatory.

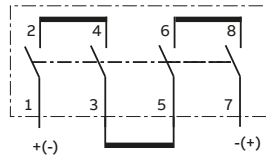
Number of poles	Circuit	Rated operat. current [A]		Type	Order code	Weight/unit [kg]
		UL98B / 1500 V				

Front operated, mechanism between the poles. OTDC_US types include pre-mounted connection bar kit.

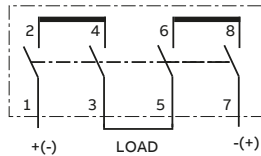
2x2	6a,6b	100	OTDC100UV22	1SCA149076R1001	2.3
2x2	6a,6b	200	OTDC200UV22	1SCA149077R1001	2.3
2x2	6m	100	OTDC100USV22	1SCA149095R1001	2.4
2x2	6m	200	OTDC200USV22	1SCA149097R1001	2.4

Recommended shafts, handles and bolt kits

Suitable for switches	Shaft	Handle	Bolt kit
OTDC100...200	EXP6X210	OHB65J6	M8x25
OTDC100...200	-	OTDV250EK	M8x25



Single circuit, US types



Single circuit, U types

NOTE: The complete list of available accessories can be found in the Accessories section starting on page 67.

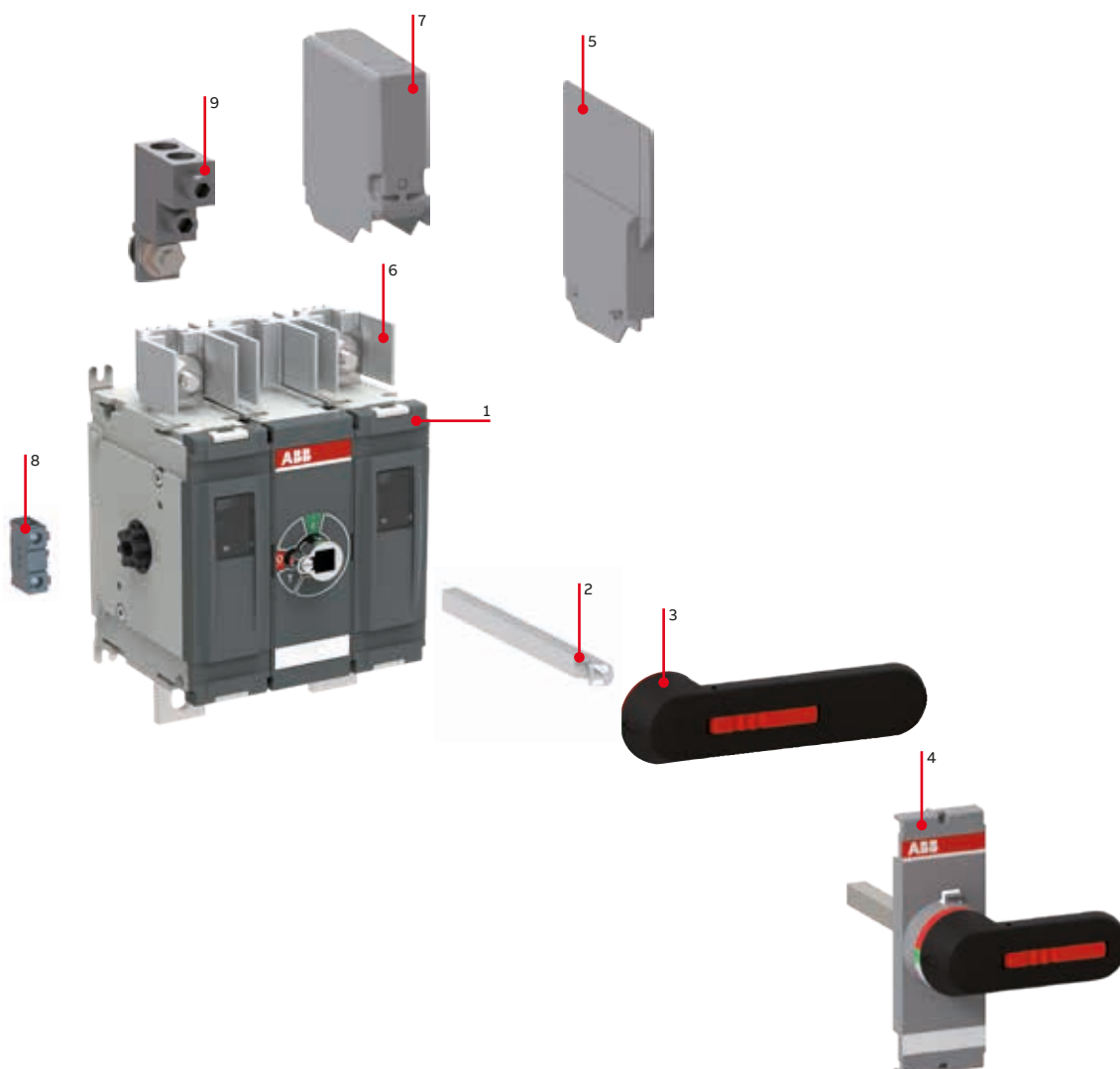
Ordering information, UL

OTDC250...600, 1000 VDC and 1500 VDC

DC switch-disconnectors accessory guide

1. Switch-disconnector
2. Shaft
3. Pistol handle
4. Direct mount handle
5. Phase barrier
6. Connection bar
7. Shroud
8. Auxiliary contact
9. Mechanical lug

Please note that not all listed accessories are automatically included in your order.
See next page for recommendations.



NOTE: The information in this image applies to both IEC and UL versions of the depicted product.

Ordering information, UL

OTDC250...600, 1000 VDC



OTDC250...400UFS02



OTDC250...400UFS11



OTDC600UFS02



OTDC600UFS11



OTDC250...600UF11



OTDC250...600UF11

Single circuit, 1000 VDC, UL - 250...600 A

Shafts and handles are not included. Switches with external handle (OTDC_P, e.g. OTDC400UF11P) or direct mount handle (OTDC_K, e.g. OTDC400UF11K) are available. Phase barriers are included in types OTDC250...600UF02 - installation mandatory. Connection bar kit is factory installed in grounded types OTDC250...600UFS_.

Number of poles	Circuit	Rated operat. current [A]		Type	Order code	Weight/unit [kg]
		UL98B / 1000 V				

Front operated, mechanism at the end of the switch

2	2a,2b	250		OTDC250UF02	1SCA158158R1001	3.41
2	2a,2b	320		OTDC320UF02	1SCA158182R1001	3.41
2	2a,2b	400		OTDC400UF02	1SCA158207R1001	3.41
2	2a,2b	600		OTDC600UF02	1SCA158231R1001	3.41
2	1a	250		OTDC250UFS02	1SCA158324R1001	3.76
2	1a	320		OTDC320UFS02	1SCA158336R1001	3.76
2	1a	400		OTDC400UFS02	1SCA158349R1001	3.76
2	1a	600		OTDC600UFS02	1SCA158368R1001	4.16

Front operated, mechanism between the poles

2	2a,2b	250		OTDC250UF11	1SCA158160R1001	3.41
2	2a,2b	320		OTDC320UF11	1SCA158184R1001	3.41
2	2a,2b	400		OTDC400UF11	1SCA158209R1001	3.41
2	2a,2b	600		OTDC600UF11	1SCA158233R1001	3.41
2	1a	250		OTDC250UFS11	1SCA158326R1001	3.76
2	1a	320		OTDC320UFS11	1SCA158338R1001	3.76
2	1a	400		OTDC400UFS11	1SCA158354R1001	3.76
2	1a	600		OTDC600UFS11	1SCA158370R1001	4.16

Recommended shafts, handles and bolt kits

Suitable for switches	Shaft	Handle	Bolt kit
OTDC250...600	-	OXP12x185	M10x30
		OHB95J12	M12x40
		OHB125J12	
		OHB145J12	
		OTDV400FK1	
		OTDV400FK2	

NOTE: The complete list of available accessories can be found in the Accessories section starting on page 67.

OTDC250...600UF02

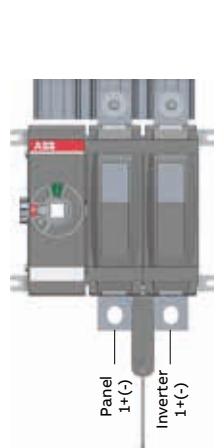


OTDC250...600UF11



Circuit 2a, 2b

OTDC250...400UFS02



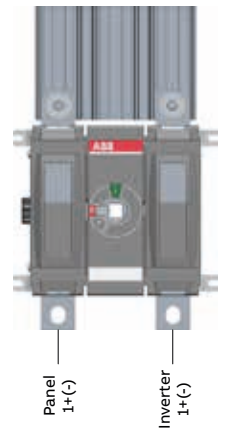
OTDC250...400UFS11



OTDC600UFS02



OTDC600UFS11



Circuit 1a

NOTE: The complete list of available accessories can be found in the Accessories section starting on page 67.

Ordering information, UL

OTDC250...600, 1000 VDC



OTDC250...400UFS22



OTDC600UFS22



OTDC600UFS22

Double circuit, 1000 VDC, UL - 250...600 A

Shafts and handles are not included. Switches with external handle (OTDC_P, e.g. OTDC400UF22P) or direct mount handle (OTDC_K, e.g. OTDC400UF22K) are available. Phase barriers are included in types OTDC250...600UF22_ - installation mandatory. Connection bar kit is factory installed in grounded types OTDC250...600UFS22.

Number of poles	Circuit	Rated operat. current [A]		Order code	Weight/unit [kg]
		UL98B / 1000 V	Type		

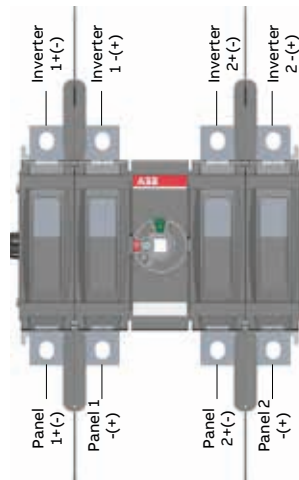
Front operated, mechanism between the poles

Number of poles	Circuit	Rated operat. current [A]	Type	Order code	Weight/unit [kg]
4	4a,4c	250	OTDC250UF22	1SCA158292R1001	5.94
4	4a,4c	320	OTDC320UF22	1SCA158296R1001	5.94
4	4a,4c	400	OTDC400UF22	1SCA158300R1001	5.94
4	4a,4c	600	OTDC600UF22	1SCA158304R1001	5.94
4	3	250	OTDC250UFS22	1SCA158396R1001	6.54
4	3	320	OTDC320UFS22	1SCA158398R1001	6.54
4	3	400	OTDC400UFS22	1SCA158400R1001	6.54
4	3	600	OTDC600UFS22	1SCA158364R1001	7.14

Recommended shafts, handles and bolt kits

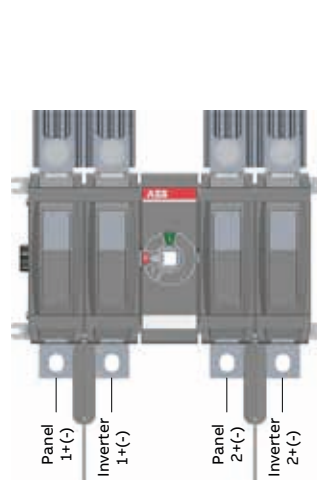
Suitable for switches	Shaft	Handle	Bolt kit
OTDC250...600	OX P12x185	OHB145J12	M10x30
	-	OTDV400FK2	M12x40

OTDC250...600UF22



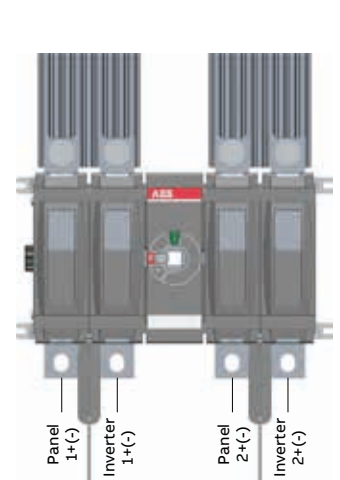
Circuit 4a, 4c

OTDC250...400UFS22



Circuit 3

OTDC600UFS22



NOTE: The complete list of available accessories can be found in the Accessories section starting on page 67.

Ordering information, UL

OTDC250...600, 1500 VDC



OTDC250...600UFV02



OTDC250...400UFSV02



OTDC600UFSV02



OTDC250...600UFV11



OTDC250...400UFSV11



OTDC600UFSV11

Single circuit, 1500 VDC, UL - 250...600 A

Shafts and handles are not included. Switches with external handle (OTDC_P, e.g. OTDC400UFV11P) or direct mount handle (OTDC_K, e.g.OTDC400UFV11K) are available. Phase barriers are included in types OTDC250...600UFV02 - installation mandatory.

Connection bar kit is factory installed in grounded types OTDC250...600UFS_.

Number of poles	Circuit	Rated operat. current [A] UL98B / 1500 V	Type	Order code	Weight/unit [kg]
-----------------	---------	---	------	------------	------------------

Front operated, mechanism at the end of the switch

2	2a,2b	250	OTDC250UFV02	1SCA158164R1001	3.41
2	2a,2b	320	OTDC320UFV02	1SCA158188R1001	3.41
2	2a,2b	400	OTDC400UFV02	1SCA158213R1001	3.41
2	2a,2b	600	OTDC600UFV02	1SCA158237R1001	3.41
2	1a	250	OTDC250UFSV02	1SCA158330R1001	3.76
2	1a	320	OTDC320UFSV02	1SCA158342R1001	3.76
2	1a	400	OTDC400UFSV02	1SCA158358R1001	3.76
2	1a	600	OTDC600UFSV02	1SCA158374R1001	4.16

Front operated, mechanism between the poles

2	2a,2b	250	OTDC250UFV11	1SCA158166R1001	3.41
2	2a,2b	320	OTDC320UFV11	1SCA158190R1001	3.41
2	2a,2b	400	OTDC400UFV11	1SCA158215R1001	3.41
2	2a,2b	600	OTDC600UFV11	1SCA158239R1001	3.41
2	1a	250	OTDC250UFSV11	1SCA158332R1001	3.76
2	1a	320	OTDC320UFSV11	1SCA158344R1001	3.76
2	1a	400	OTDC400UFSV11	1SCA158360R1001	3.76
2	1a	600	OTDC600UFSV11	1SCA158376R1001	4.16

Recommended shafts, handles and bolt kits

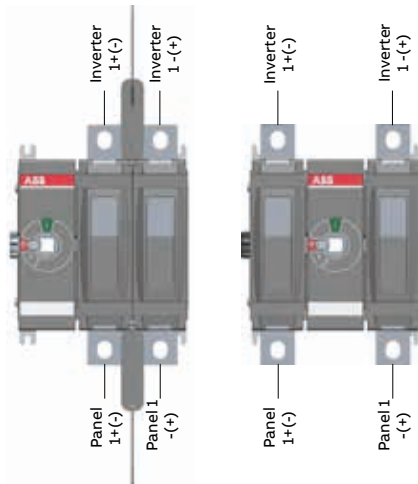
Suitable for switches	Shaft	Handle	Bolt kit
OTDC250...600	-	XP12x185	OHB95J12
			OHB125J12
			OHB145J12
			OTDV400FK1
			OTDV400FK2

NOTE: The complete list of available accessories can be found in the Accessories section starting on page 67.

Ordering information, UL

OTDC250...600, 1500 VDC

30



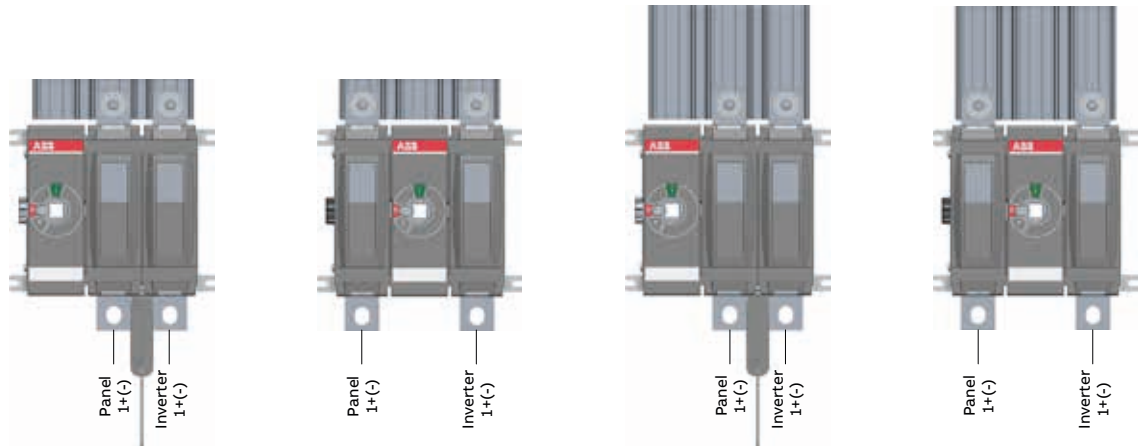
Circuit 2a, 2b

OTDC250...400UFSV02

OTDC250...400UFSV11

OTDC600UFSV02

OTDC600UFSv11



Circuit 1a

NOTE: The complete list of available accessories can be found in the Accessories section starting on page 67.



OTDC250...600UFV22



OTDC250...400UFSV22



OTDC600UFSV22

Double circuit, 1500 VDC, UL - 250...600 A

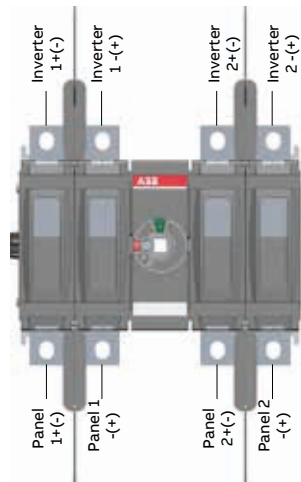
Shafts and handles are not included. Switches with external handle (OTDC_P, e.g. OTDC400UF22P) or direct mount handle (OTDC_K, e.g. OTDC400UF22K) are available. Phase barriers are included in types OTDC250...600UF22_ - installation mandatory. Connection bar kit is factory installed in grounded types OTDC250...600UFS22.

Number of poles	Circuit	Rated operat. current [A]		Order code	Weight/unit [kg]
		UL98B / 1000 V	Type		
Front operated, mechanism between the poles					
4	4a,4c	250	OTDC250UFV22	1SCA158293R1001	5.94
4	4a,4c	320	OTDC320UFV22	1SCA158297R1001	5.94
4	4a,4c	400	OTDC400UFV22	1SCA158301R1001	5.94
4	4a,4c	600	OTDC600UFV22	1SCA158305R1001	5.94
4	3	250	OTDC250UFSV22	1SCA158397R1001	6.54
4	3	320	OTDC320UFSV22	1SCA158399R1001	6.54
4	3	400	OTDC400UFSV22	1SCA158401R1001	6.54
4	3	600	OTDC600UFSV22	1SCA158366R1001	7.14

Recommended shafts, handles and bolt kits

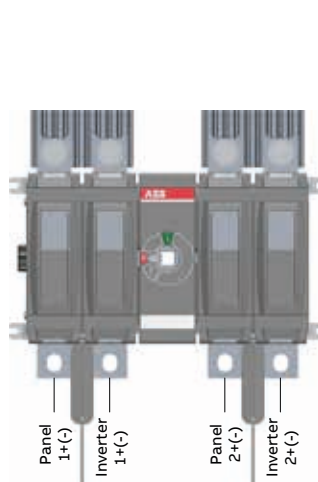
Suitable for switches	Shaft	Handle	Bolt kit
OTDC250...600	OX P12x185	OHB145J12	M10x30
	-	OTDV400FK2	M12x40

OTDC250...600UFV22



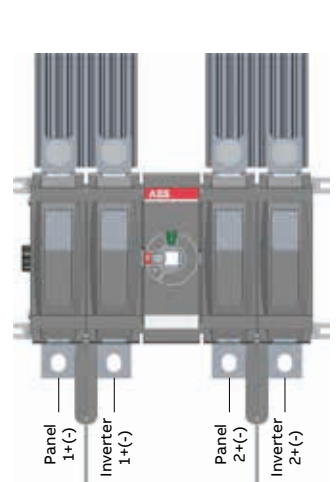
Circuit 4a, 4c

OTDC250...400UFSV22



Circuit 3

OTDC600UFSV22



NOTE: The complete list of available accessories can be found in the Accessories section starting on page 67.

Ordering information, UL

OTDC250...600, 1500 VDC

ESS Switch disconnectors

DC Switch disconnectors intended for Energy Storage System, ESS applications. Higher performance level compared to the PV Switch-disconnectors ensures reliable breaking for higher short-circuit currents.



OTDC250...400UFV11-ESS

Single circuit, 1500 VDC, IEC - 250...400 A

Shafts and handles are not included. Switches with external handle (OTDC_P, e.g. OTDC400UFV11P-ESS) or direct mount handle (OTDC_K, e.g. OTDC400UFV11K-ESS) are available.

Number of poles	Circuit	Rated operat. current [A] UL98B / 1500 V	Type	Order code	Weight/unit [kg]
-----------------	---------	---	------	------------	------------------

Front operated, mechanism between the poles

2	2a,2b	250	OTDC250UFV11-ESS	1SCA158167R1001	3.41
2	2a,2b	320	OTDC320UFV11-ESS	1SCA158191R1001	3.41
2	2a,2b	400	OTDC400UFV11-ESS	1SCA158216R1001	3.41

Recommended shafts, handles and bolt kits

Suitable for switches	Shaft	Handle	Bolt kit
OTDC250...400	OX P12x185	OHB95J12	M10x30
		OHB125J12	M12x40
		OHB145J12	
	-	OTDV400FK1	
		OTDV400FK2	



Circuit 2a, 2b

NOTE: The complete list of available accessories can be found in the Accessories section starting on page 67.

Ordering information, UL

OTDC800...1000, 1000 VDC



OTDC800...1000U22



OTDC800...1000US22

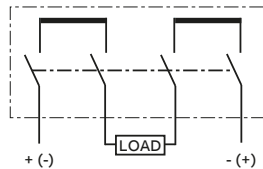
Single circuit, 1000 VDC, UL98B - 800 to 1000 A

Shafts and handles are not included. Switches with direct handle OTV1000EK (OTDC_K) are available. Phase barriers are included - installation mandatory. Included terminal bolts M12x60. Circuit 6a, 6b requires connection bar kit for OTDC_U22 types.

Number of poles	Circuit	Rated operat. current [A]		Type	Order code	Weight/unit [kg]
		UL98B	/ 1000 V			

Front operated, mechanism between the poles. OTDC_US include pre-mounted connection bar kit.

4	6a, 6b	800		OTDC800U22	1SCA142338R1001	21
4	6a, 6b	1000		OTDC1000U22	1SCA143712R1001	21
4	6a, 6b	800		OTDC800U22K	1SCA143721R1001	21
4	6a, 6b	1000		OTDC1000U22K	1SCA143713R1001	21
4	6m	800		OTDC800US22	1SCA142339R1001	21
4	6m	930		OTDC1000US22	1SCA143714R1001	21
4	6m	800		OTDC800US22K	1SCA143722R1001	21
4	6m	930		OTDC1000US22K	1SCA143715R1001	21



Single circuit

NOTE: The complete list of available accessories can be found in the Accessories section starting on page 67.



Ordering information for accessories

70	Handle knobs
71	Handles
75	Shafts
76	Phase separators and mounting feet
77	Auxiliary contacts
78	Connection bar kits
79	Terminal shrouds
80	Interlocks and mechanical lugs

Ordering information for accessories

Handle knobs

Handle knobs for base and DIN rail mounted switches

Mounting directly to the switch, no shaft needed, for base and DIN-rail mounted switches Padlockable with one padlock with bail diameter 5 mm, see the table below.



OHBS11



OHRS21



OHRS31

Colour	Handle length [mm]	Type	Order code
Suitable for switches OTDC16...32F, OTDC16...32U_			
Black	31	OHBS1	1SCA109087R1001
Black	31	OHBS1/1	1SCA109088R1001
Red	31	OHR1	1SCA109095R1001
Red	31	OHR1/1	1SCA109096R1001

Suitable for switches OTDC16...32F, OTDC16...32U_			
Black	40	OHBS2	1SCA109089R1001
Black	40	OHBS2/1	1SCA109090R1001
Red	40	OHR2	1SCA108598R1001
Red	40	OHR2/1	1SCA108599R1001
Black	39	OHBS3	1SCA108320R1001
Black	39	OHBS3/1	1SCA108319R1001
Red	39	OHR3	1SCA108667R1001
Red	39	OHR3/1	1SCA108688R1001

Special information for handle knobs

Handle type	Padlockable	Shaft through the handle	45 mm cut-out enable ¹⁾
OHBS1_, OHR1_	No	No	Yes
OHBS2_, OHR2_	Yes	No	Yes
OHBS3_, OHR3_	No	No	Yes

¹⁾ In I-position the handle shall remain within the cut-out height

Ordering information for accessories

Handles

Selector handles, for door mounted switches

Indication I-O and ON-OFF. No separate shaft needed.



OHBS3PH



OHBS2PJ



OHYS3RH



OHYS2RJ

Colour	Type	Order code
Snap-on mounting, door drilling 22,5 mm, for OTDC16...32FT and OTDC16...32U_T		
No padlocking, IP54, NEMA 1		
Black	OHBS1PH	1SCA105211R1001
Red-yellow	OHYS1PH	1SCA105294R1001
Padlockable with one padlock, IP54, NEMA 1		
Black	OHBS3PH	1SCA105236R1001
Red-yellow	OHYS3PH	1SCA105327R1001
Padlockable with max. 3 padlocks, IP65, NEMA 1, 3R, 12		
Black	OHBS2PJ	1SCA105231R1001
Red-yellow	OHYS2PJ	1SCA105322R1001
Screw mounting, hole distance 36 mm, for OTDC16...32FT and OTDC16...32U_T		
No padlocking, IP54, NEMA 1		
Black	OHBS1RH	1SCA105212R1001
Red-yellow	OHYS1RH	1SCA105295R1001
Padlockable with one padlock, IP54, NEMA 1		
Black	OHBS3RH	1SCA105237R1001
Red-yellow	OHYS3RH	1SCA105328R1001
Padlockable with max. 3 padlocks, IP65, hole distance 36/48 mm, NEMA 1, 3R, 12		
Black	OHBS2RJ	1SCA105232R1001
Red-yellow	OHYS2RJ	1SCA105323R1001

Ordering information for accessories

Handles

Selector handles for base and DIN-rail mounted switches

Indication I-O and ON-OFF, for shaft diameter 6 mm, door drilling 22.5 mm.



—
OHBS3



—
OHYS3



—
OHBS2

Colour	Type	Order code
IP 54 handles, NEMA 1, suitable for switches OTDC16...32F and OTDC16...32U_		
Black	OHBS1AH	1SCA102680R1001
Yellow-red	OHYS1AH	1SCA105290R1001
Door interlock in ON-position.		
Black	OHBS1AH1	1SCA105210R1001
Yellow-red	OHYS1AH1	1SCA105291R1001
Padlockable with one padlock with bail diameter 5...6.3 mm.		
Black	OHBS3AH	1SCA105234R1001
Yellow-red	OHYS3AH	1SCA105325R1001
Padlockable with one padlock with bail diameter 5...6.3 mm, door interlock in ON-position.		
Black	OHBS3AH1	1SCA105235R1001
Yellow-red	OHYS3AH1	1SCA105326R1001
IP 65 handles, NEMA 1, 3R, 12, suitable for switches OTDC16...32F and OTDC16...32U_		
Padlockable with max. 3 padlocks with bail diameter 5...8 mm, door interlock in ON-position, defeatable.		
Black	OHBS2AJ	1SCA105213R1001
Yellow-red	OHYS2AJ	1SCA105296R1001
Padlockable with max. 3 padlocks with bail diameter 5...8 mm, door interlock in ON-position.		
Black	OHBS2AJ1	1SCA105215R1001
Yellow-red	OHYS2AJ1	1SCA105297R1001
Selector handle with metal hasp		
IP65 handles, NEMA 1, 3R, 12, suitable for switches OTDC16...32F and OTDC16...32U_		
Padlockable with max. 3 padlocks, door interlock in the ON-position, defeatable.		
Black	OHBS2AJEH	1SCA108230R1001

Pistol handles OH_ handles for front operation: IP 65, NEMA 1,3R, 12

Padlockable with three padlocks in OFF-position, door interlock in ON-position. Screw fixing from the back side of the handle ensures double insulation.



OHY_



OHB274/312

Colour	Handle length [mm]	Suitable for switches	Type	Order number	Weight/unit [kg]
For shaft diameter 6 mm, indication in types OHB and OHY: I-0, ON-OFF, in types OHG: I-0.					
Black	65	OTDC100...250E_, OTDC100...245U_	OHB65J6	1SCA022380R9660	0.12
Yellow-red	65	OTDC100...250E_, OTDC100...245U_	OHY65J6	1SCA022380R9820	0.12
Grey	65	OTDC100...250E_, OTDC100...245U_	OHG65J6	1SCA022380R9740	0.12
Black	80	OTDC100...250E_, OTDC100...245U_	OHB80J6	1SCA022381R0240	0.14
Yellow-red	80	OTDC100...250E_, OTDC100...245U_	OHY80J6	1SCA022381R0410	0.14
Grey	80	OTDC100...250E_, OTDC100...245U_	OHG80J6	1SCA022381R0320	0.14
For shaft diameter 6 mm, indication: Test-OFF-ON/Test-0-I					
Black	65	OTDC100...250E_, OTDC100...200U_	OHB65J6T	1SCA022399R8110	0.12
Yellow-red	65	OTDC100...250E_, OTDC100...200U_	OHY65J6T	1SCA022456R9540	0.12
For shaft diameter 12 mm, indication OHB and OHY: I-0, ON-OFF, in types OHG: I-0					
Black	95	OTDC315...800F_, OTDC250...600UF_	OHB95J12	1SCA022381R0830	0.16
Yellow-red	95	OTDC315...800F_, OTDC250...600UF_	OHY95J12	1SCA022381R1050	0.16
Grey	95	OTDC315...800F_, OTDC250...600UF_	OHG95J12	1SCA022381R0910	0.16
Black	125	OTDC315...800F_, OTDC250...600UF_	OHB125J12	1SCA022381R1560	0.17
Yellow-red	125	OTDC315...800F_, OTDC250...600UF_	OHY125J12	1SCA022381R1720	0.17
Grey	125	OTDC315...800F_, OTDC250...600UF_	OHG125J12	1SCA022381R1640	0.17
Black	145	OTDC315...800F_, OTDC250...600UF_	OHB145J12	1SCA022381R2110	0.17
For shaft diameter 12 mm, indication: Test-OFF-ON/Test-0-I					
Black	95	OTDC315...800F, OTDC250...600U_	OHB95J12T	1SCA022736R1750	0.16
Yellow-red	95	OTDC315...800F, OTDC250...600U_	OHY95J12T	1SCA022736R1910	0.16
Black	125	OTDC315...800F, OTDC250...600U_	OHB125J12T	1SCA022652R2220	0.16
Yellow-red	125	OTDC315...800F, OTDC250...600U_	OHY125J12T	1SCA022652R2310	0.16
Black	274	OTDC1000...1600E, OTDC800...1000U_	OHB274J12T	1SCA115920R1001	0.54
Yellow-red	274	OTDC1000...1600E, OTDC800...1000U_	OHY274J12T	1SCA115919R1001	0.54

Door interlocking in ON-position means that the door cannot be opened when the handle is in ON-position. This can be defeated in IP65 types to allow authorized personnel access for inspection. NEMA 4, 4x pistol handles available on request. Handles padlockable in all positions available on request.

Ordering information for accessories

Handles



OTDV400FK1



OTDV400FK2

Direct mount handles

Colour	Handle length [mm]	Suitable for switches	Type	Order code	Weight/unit [kg]
Indication Test-OFF-ON/Test-O-I. Padlockable with three padlocks in OFF-position. Includes shaft and mechanism cover.					
Black	65	OTDC100...250E_, OTDC100...245U_ ¹⁾	OTDV250EK	1SCA127390R1001	0.1
Red-yellow	65	OTDC100...250E_, OTDC100...245U_ ¹⁾	OTDVY250EK	1SCA127391R1001	0.1
Black	95	OTDC315...800F_, OTDC250...600UF_	OTDV400FK1	1SCA157315R1001	0.3
Black	145	OTDC315...800F_, OTDC250...600UF_	OTDV400FK2	1SCA157316R1001	0.33
Black	274	OTDC1000...1600E, OTDC800...1000U_	OTV1000EK	1SCA106608R1001	1.5

¹⁾ Valid only for front-operated switches

OH_handles for side operation: IP 65, NEMA 1,3R, 12

For mounting on the side of the enclosure. Padlockable with three padlocks in the OFF-position, door interlock in the ON-position, IP 65. The position indications are rotated 90°.



OHB_

Colour	Handle length [mm]	Suitable for switches	Type	Order code	Weight/unit [kg]
Side operation: for shaft diameter 6 mm, indication in types OHB and OHY: I-O, ON-OFF, in types OHG: I-O.					
Plastic handles					
Black	65	OTDC100...245U_S	OHB65J6E00S	1SCA022382R9850	0.12
Red-yellow	65	OTDC100...245U_S	OHY65J6E00S	1SCA022382R9930	0.12
Grey	65	OTDC100...245U_S	OHG65J6E00S	1SCA022383R4510	0.12
Side operation: for shaft diameter 6 mm, indication: Test/I-O/ON-OFF, grey: Test/I-O					
Black	65	OTDC100...245U_S	OHB65J6TE00S	1SCA109016R1001	0.12
Red-yellow	65	OTDC100...245U_S	OHY65J6TE00S	1SCA022688R0140	0.12
Grey	65	OTDC100...245U_S	OHG65J6TE00S	1SCA109014R1001	0.12

Ordering information for accessories

Shafts



Extended shafts for selector handles

Shaft length [mm]	H [mm]	Type	Order number	Weight/unit [kg]
Suitable for switches OTDC16...32F, shaft diameter 6 mm				
85		OXS6X85	1SCA101647R1001	0.02
105		OXS6X105	1SCA108043R1001	0.02
120		OXS6X120	1SCA101654R1001	0.03
130	See dimension drawings	OXS6X130	1SCA101655R1001	0.03
160		OXS6X160	1SCA101656R1001	0.04
180		OXS6X180	1SCA101659R1001	0.04
250		OXS6X250	1SCA101660R1001	0.07

OXS6X_



OXSP12



OXSP6X



OXSP12X185



OXSP6X150

Extended shafts for pistol handles

Shaft length [mm]	H [mm]	Type	Order number	Weight/unit [kg]
For pistol type handles				
Suitable for switches OTDC100...250E_, OTDC100...200U_, shaft diameter 6 mm¹⁾				
130	109...174	OXSP6X130	1SCA022057R0570	0.04
150	129...194	OXSP6X150	1SCA022295R5600	0.05
161	140...205	OXSP6X161	1SCA022067R1760	0.05
210	189...254	OXSP6X210	1SCA022295R6080	0.06
290	269...334	OXSP6X290	1SCA022042R6370	0.08

Suitable for switches OTDC315...800F, OTDC250...600UF_, shaft diameter 12 mm

166	146...226	OXSP12X166	1SCA022325R7100	0.2
185	165...245	OXSP12X185	1SCA022325R6710	0.2
250	230...310	OXSP12X250	1SCA022325R6980	0.28
280	260...340	OXSP12X280	1SCA022137R5140	0.3
325	305...385	OXSP12X325	1SCA022042R5810	0.36
395	445...525	OXSP12X395	1SCA022042R5990	0.43
465	439...519	OXSP12X465	1SCA022042R6020	0.51
535	515...595	OXSP12X535	1SCA022042R6110	0.59

Suitable for switches OTDC1000...1600E_, OTDC800...1000U_, shaft diameter 12 mm

250	221...350	OXSP12X250	1SCA022325R6980	0.28
280	251...380	OXSP12X280	1SCA022137R5140	0.30
325	296...425	OXSP12X325	1SCA022042R5810	0.36
395	366...495	OXSP12X395	1SCA022042R5990	0.43
465	436...565	OXSP12X465	1SCA022042R6020	0.51
535	506...635	OXSP12X535	1SCA022042R6110	0.59

¹⁾ Longer shafts on request

Ordering information for accessories

Phase separators

Phase separators

Plastic phase separators for maintaining 1" clearance between the phases without terminal shrouds. Snap-on mounting. Included as standard in OTDC100...1600E_, OTDC315...800F or OTDC100...1000U_ if use mandatory.



OTDCB250/2



OTDCB400F/2

Suitable for switches	Type	Order number	Units/ type	Weight/ unit [kg]
OTDC100...250E_, OTDC100...245U_	OTDCB250/2	1SCA148901R1001	2	0.03
OTDC315...800F_, OTDC250...600UF_	OTDCB400F/2	1SCA157314R1001	2	0.10

Ordering information for accessories

Auxiliary contacts

Auxiliary contact blocks, IP20

Contact numbering according to EN 50013. The type and the ordering numbers are for one piece.



OA1G10, OA3G01



OEA28

Mounting on the left side of the switch or under the mechanism cover

Mounting on the left side of the switch: Max. 8 auxiliary contact blocks with the OEA28 module.

Mounting under the mechanism cover:

OTDC100...250E_, OTDC100...200U_: Max. 4 test contacts or 2 test contacts + 2 test indication contacts.¹⁾

OTDC315...800F_, OTDC250...600UF_: Max. 4 test contacts + 4 test indication contacts.¹⁾

OTDC1000...1600E_, OTDC800...1000U_: Max 4 test indication contacts + 6 test contacts + 2 early operation test contacts.

The test contacts can be used as standard auxiliary contacts as well.

Suitable for switches	Function	Type	Order code	Delivery batch [pcs] ²⁾	Weight/unit [kg]
OTDC100...1600E_, OTDC100...1000U_	1NO	OA1G10	1SCA022353R4970	10	0.03
OTDC100...1600E_, OTDC100...1000U_	1NC	OA3G01	1SCA022456R7410	10	0.03

Module for auxiliary contacts

Screw mounting to the left side of the switch.

Suitable for switches	Type	Order code	Delivery batch [pcs]	Weight/unit [kg]
OTDC100...1600E_, OTDC100...1000U_	OEA28	1SCA022714R8810	1	0.04

¹⁾ Contact numbering:

(83) (43) (53) 13 21 (61) (31) (71)

(84) (44) (54) 14 22 (62) (32) (72)

²⁾ Auxiliary contacts OA1G_ are available in larger packing as well.

A bulk package includes 50 auxiliary contacts. Type number: add a suffix: /B, e.g. OA1G01/B.

Performance data according to IEC 60947-5-1

For OA1G_, OA2G_, OA3G_, OA8G_

U _e /[VAC]	AC15		DC12		DC13	
	I _e /[A]	U _e /[VDC]	I _e /[A]	P/[W]	I _e /[A]	P/[W]
230	6	24	10	240	2	50
400	4	72	4	290	0.8	60
415	4	125	2	250	0.55	70
690	2	250	0.55	140	0.27	70
-	-	440	0.1	44	-	-

Ordering information for accessories

Connection bar kits

Connection bar kits

Refer to pages for circuit diagrams showing the possible connections and needed amounts of kits. The kits include the necessary mounting hardware.



—
OEZXY91



—
OTDCKIT250S11



—
OTDCKIT400FS101



—
OTDCKIT600FS101



—
OTDCKIT400FS11



—
OTDCKIT600FS11

Suitable for switches	Type	Order code	Weight/unit [kg]
OTDC100...250E_	OEZXY91	1SCA125290R1001	0.14
OTDC100...250E_, OTDC100...200U_	OTDCKIT250S11	1SCA148902R1001	0.14
OTDC250...400UF_	OTDCKIT400FS101	1SCA157317R1001	0.33
OTDC600UF_	OTDCKIT600FS101	1SCA157319R1001	0.75
OTDC250...400UF_	OTDCKIT400FS11	1SCA157318R1001	0.65
OTDC600UF_	OTDCKIT600FS11	1SCA157320R1001	1.26

Ordering information for accessories

Terminal shrouds

Terminal shrouds

The type and ordering numbers are for one piece.



OTS250G1L



OTDCS400FG1



OTS1600G1S



OTS1600G1L



OTS250T1L

Suitable for switches	Description	Type	Order number	Weight/ unit [kg]
Grey				
OTDC100...250E, OTDC100...245US	long	OTS250G1L	1SCA022715R5340	0.01
OTDC315...800F_, OTDC250...600UF_	-	OTDCS400FG1	1SCA157308R1001	0.08
OTDC1000...1600E_, OTDC800...1000U_	short	OTS1600G1S ¹⁾	1SCA102667R1001	0.13
OTDC1000...1600E_, OTDC800...1000U_	long	OTS1600G1L ¹⁾	1SCA106134R1001	0.22
Transparent				
OTDC100...250E, OTDC100...245US	long	OTS250T1L	1SCA022726R0640	0.01
OTDC315...800F_, OTDC250...600UF_	-	OTDCS400FT1	1SCA157309R1001	0.08

¹⁾ The use of shrouds limits the rated current: OTDC1000U22 to 980 A and OTDC1000US22 to 920 A.

Shrouds for jumpers connection bars

The type and ordering numbers are for one piece.

Suitable for switches	Suitable for jumper /connection bar	Type	Order code	Weight/ unit [kg]
Grey				
OTDC1000...1600E_, OTDC800...1000U_	OTDCKIT1250B11	OTDCS1250T2	1SCA144021R1001	0.07
OTDC1000...1600E_, OTDC800...1000U_	OTDCKIT1250B101	OTDCS1250T3	1SCA143477R1001	-

Ordering information for accessories

Interlocks and mechanical lugs

Mechanism interlock kits and electrical interlocks

OTDC switch-disconnectors can be interlocked in the OFF-position using padlocks or a mechanical interlock kit mounted on the mechanism. The diameter of the lock bail can be max 8 mm.



OTZT4_

Suitable for switches	Type	Order code	Weight/unit [kg]
Interlocking in OFF position			
OTDC1000...1600E, OTDC800...1000U_	OTZT4A	1SCA106526R1001	1.0
Mechanical interlock kit Interlocking in OFF and ON positions			
OTDC1000...1600E, OTDC800...1000U_	OTZT4L	1SCA106531R1001	1.0

Mechanical lugs

Mechanical lugs for Al and Cu cables for IEC switch-disconnectors

Suitable for switches	Cable cross section [mm ²]	Type	Order code	Weight/unit [kg]
OTDC100...250E_	10...70	OZXB1/L	1SCA022169R2030	0.05
OTDC100...250E_	25...120	OZXB2/1	1SCA022119R7610	0.12
OTDC100...250E_	25...120	OZXB2L/1	1SCA022158R7750	0.14

Mechanical lugs for Al and Cu cables for UL switch-disconnectors

Suitable for switches	Wire range AWG	Type	Order code	Weight/unit [kg]
OTDC100...245U_	AWG 4 - 300MCM	OZXA200/1	1SCA022747R8940	0.03
OTDC100...245U_	AWG 2 - 500MCM	OZXA250/1	1SCA148396R1001	0.19
OTDC250...400UF_	AWG 6 - 300MCM	OZXA402	1SCA157321R1001	0.31
OTDC600UF_	2 x AWG 6 - 300MCM	OZXA604	1SCA157322R1001	0.93
OTDC1000...1600E_ OTDC800...1000U_	4 X AWG 2 - 600MCM	OZXA1200/1	1SCA130842R1001	0.55



OZXA200



OZXA250



OZXA1200

Technical data

82	OTDC16...1600 (IEC)
86	OTDC16...1000 (UL)

Technical data

OTDC16...1600, IEC

Technical data according to IEC 60947 for switch-disconnectors OTDC16...32

Switch size			OTDC16F	OTDC25F	OTDC32F	
Rated insulation voltage U_i	Pollution degree 2	V	1250 ¹⁾	1250 ¹⁾	1250 ¹⁾	
	Pollution degree 3	V	1000 ¹⁾	1000 ¹⁾	1000 ¹⁾	
Rated impulse withstand voltage		kV	8	8	8	
Rated thermal current I_{th}	In open air, normal conditions ²⁾	A	25	32	45	
	In enclosure 40°C	A	25	32	45	
	In enclosure 60°C	A	25	32	32	
...with minimum cable or bar cross section	Cu	mm ²	4	6	10	
Rated operational current / poles in series DC-21B	660 V	One circuit	V	16/2	25/2	32/2
		Two circuits	V		25/2	32/2
	1000 V	One circuit	V	10/2	16/2	20/2
			V	16/3	25/3	32/3
		Two circuits	V	10/2	16/2	20/2
Rated short-time withstand current, 1000 V, 1 s	R.M.S. -value I_{cw}	kA	0,4	0,6	0,8	
Power loss / pole	At rated current	W	0,15	0,3	0,5	
Terminal cable size	Cu	mm ²	2.5...16	2.5...16	2.5...16	
Terminal tightening torque	Counter torque required	Nm	1.2-1.4Nm	1.2-1.4Nm	1.2-1.4Nm	

Switch size			OTDC16U	OTDC25U	OTDC32U	
Rated insulation voltage U_i	Pollution degree 2	V	1250 ¹⁾	1250 ¹⁾	1250 ¹⁾	
	Pollution degree 3	V	1000 ¹⁾	1000 ¹⁾	1000 ¹⁾	
Rated impulse withstand voltage		kV	8	8	8	
Rated thermal current I_{th}	In open air, normal conditions ²⁾	A	40	50	63	
	In enclosure 40°C	A	32	40	50	
	In enclosure 60°C	A	25	32	40	
...with minimum cable or bar cross section	Cu	mm ²	4	6	10	
Rated operational current / poles in series DC-21B	660 V	One circuit	V	16/2	25/2	
		Two circuits	V	16/2	25/2	32/2
	1000 V	One circuit	V	10/2 ³⁾	16/2 ³⁾	
		Two circuits	V	10/2 ³⁾	16/2 ³⁾	20/2 ³⁾
		Three circuits	V	10/2 ³⁾		
Rated short-time withstand current, 1000 V, 1 s	R.M.S. -value I_{cw}	kA	1,0	1,0	1,0	
Rated conditional short-circuit current I_p (r.m.s.)	I_p (r.m.s.), 1000 V	kA	10	10	10	
	Max fuse size, gPV	A	80	80	80	
Power loss / pole	At rated current	W	0,1	0,2	0,35	
Terminal cable size	Cu	mm ²	2.5...16	2.5...16	2.5...16	
Terminal tightening torque	Counter torque required	Nm	1.2-1.4Nm	1.2-1.4Nm	1.2-1.4Nm	

¹⁾ When used with external handle. For use with direct mounted handle, see installation instruction.

²⁾ Normal conditions defined in IEC 60947-1, section 6.1

³⁾ U and UT types only. (Not applicable for US nor UST.)

Technical data according to IEC 60947 for switch-disconnectors OTDC100...250E

Switch size			OTDC100E	OTDC160E	OTDC200E	OTDC250E
Rated insulation voltage U _i	Pollution degree 3		V 1500	1500	1500	1500
Rated impulse withstand voltage			kV 12	12	12	12
Rated thermal current I _{th}	In open air, normal conditions ¹⁾		A 100	160	200	250
	In enclosure 40°C		A 100	160	200	250
	In enclosure 60°C		A 100	160	200	200
...with minimum cable or bar cross section	Cu		mm ² 35	70	95	120
Rated operational current / poles in series DC-21B	500 V	One circuit	V 100 / 1	160 / 1	200 / 1	250 / 1
		Two circuits	V 100 / 2x2	160 / 2x2	200 / 2x2	250 / 2x2
	1000 V	One circuit	V 100 / 2	160 / 2	200 / 2	250 / 2
		Three circuits	V 100 / 3x2	160 / 3x2	200 / 3x2	250 / 2x2
	1500 V	One circuit	V 100 / 2x2	160 / 2x2	200 / 2x2	
Rated short-time withstand current, 1000 V, 1 s	R.M.S. -value I _{cw}		kA 10	10	10	10
Power loss / pole	At rated current		W 2	4	6	9,5
Terminal bolt size	Metric thread diameter x length		mm M8x25	M8x25	M8x25	M8x25
Terminal tightening torque	Counter torque required		Nm 15...22	15...22	15...22	15...22

¹⁾ Normal conditions defined in IEC 60947-1, section 6.1

Technical data according to IEC 60947 for switch-disconnectors OTDC315...800F

Switch size			OTDC315F_	OTDC400F_	OTDC500F_	OTDC630F_	OTDC800F_
Rated insulation voltage U _i	Pollution degree 3		V 1500	1500	1500	1500	1500
Rated impulse withstand voltage			kV 12	12	12	12	12
Rated thermal current I _{th} ¹⁾	In open air, normal conditions ²⁾		A 315	400	500	630	800
	In enclosure 40°C		A 315	400	500	630	630
	In enclosure 60°C		A TBD	TBD	TBD	TBD	TBD
	In enclosure 80°C		A TBD	TBD	TBD	TBD	TBD
...with cable or bar cross section	Cu		mm ² 185	240	2x150	2x185	2x240
Rated operational current I _e / poles in series DC-21B	Ue 1000 V	One circuits	A 315/2	400/2	500/2	630/2	800/2
		Two circuits	A 315/2x2	400/2x2	500/2x2	630/2x2	
		Three circuits	A 315/2x3	400/2x3	500/2x3		
	1500 V	One circuits	A 315/2	400/2	500/2	630/2	800/2
		Two circuits	A 315/2x2	400/2x2	500/2x2	630/2x2	
		Three circuits	A 315/2x3	400/2x3	500/2x3		
Rated operational current I _e / poles in series DC-PV1	Ue 1000 V	One circuits	A 315/2	400/2	500/2	500/2	500/2
		Two circuits	A 315/2x2	400/2x2	500/2x2	500/2x2	
	1500 V	One circuits	A 315/2	400/2	500/2	500/2	
		Two circuits	A 315/2x2	400/2x2	500/2x2	500/2x2	
Rated operational current I _e / poles in series DC-22B & DC-PV2	Ue 1000 V	One circuits	A 315/2	400/2	400/2	400/2	400/2
		Two circuits	A 315/2x2	400/2x2	400/2x2	400/2x2	
	1500 V	One circuits	A 315/2	400/2	400/2	400/2	
		Two circuits	A 315/2x2	400/2x2	400/2x2	400/2x2	
Rated short-time withstand current, 1500 V, 1 s	R.M.S. -value I _{cw}		kA 10	10	10	10	10
Rated short circuit making capacity, 1500 V	Peak value I _{cm}		kA 10	10	10	10	10
Power loss/pole	At rated current		W 7-8	12-13	18-20	30-32	30-32
Terminal bolt size	Metric thread diameter x length		mm M10x30	M10x30	M12x40	M12x40	M12x40
Terminal tightening torque	Counter torque required		Nm 30-44	30-44	50-75	50-75	50-75
Mechanical Endurance	Cycles		10000	10000	10000	10000	10000
Operating altitude without derating			m ≤ 2000	≤ 2000	≤ 2000	≤ 2000	≤ 2000

¹⁾ More detailed derating please consult us. Installation condition may influence to the derating either decreasing or increasing.

²⁾ Normal conditions defined in IEC 60947-1, section 6.1

Technical data

OTDC16...1600, IEC

Technical data according to IEC 60947 for switch-disconnectors OTDC315F...630F_-ESS

Switch size			OTDC315F_-ESS	OTDC400F_-ESS	OTDC500F_-ESS	OTDC630F_-ESS
Rated insulation voltage U_i	Pollution degree 3	V	1500	1500	1500	1500
Rated impulse withstand voltage		kV	12	12	12	12
Rated thermal current I_{th} ¹⁾	In open air, normal conditions ²⁾	A	315	400	500	630
	In enclosure 40°C	A	315	400	500	630
	In enclosure 60°C	A	TBD	TBD	TBD	TBD
	In enclosure 80°C	A	TBD	TBD	TBD	TBD
...with minimum cable or bar cross section	Cu	mm ²	185	240	2x150	2x185
Rated operational current I_e / poles in series DC-21B	Ue 1500 V One circuits	A	315/2	400/2	500/2	630/2
Rated operational current I_e / poles in series DC-PV1		A	315/2	400/2	500/2	500/2
Rated operational current I_e / poles in series DC-22B & PV2		A	315/2	400/2	400/2	400/2
Rated short-time withstand current, 1500 V, 1 s	R.M.S. -value I_{cw}	kA	10	10	10	10
Rated short circuit making capacity, 1500 V	Peak value I_{cm}	kA	10	10	10	10
Rated conditional short-circuit current, 1500V	R.M.S. -value I_q	kA	30	30	30	30
	Max. ETI fuse L/R=3ms size, gPV ³⁾	A	500	500	500	500
Power loss/pole	At rated current	W	7-8	12-13	18-20	30-32
Terminal bolt size	Metric thread diameter x length	mm	M10x30	M10x30	M12x40	M12x40
Terminal tightening torque	Counter torque required	Nm	30-44	30-44	50-75	50-75
Mechanical Endurance	Cycles		10000	10000	10000	10000
Operating altitude without derating		m	≤ 2000	≤ 2000	≤ 2000	≤ 2000

¹⁾ More detailed derating please consult us. Installation condition may influence to the derating either decreasing or increasing.

²⁾ Normal conditions defined in IEC 60947-1, section 6.1

³⁾ Fuse manufacturer, size and type: ETI, 500A, Cat.no 004110 followed by 634, 639 or 644. More details from the fuse manufacturer catalog.

—
Technical data according to IEC 60947 for switch-disconnectors OTDC1000...1600E

Switch size			OTDC1000E	OTDC1250E	OTDC1600E
Rated insulation voltage U_i	Pollution degree 3	V	1500	1500	1500
Rated impulse withstand voltage		kV	12	12	12
Rated thermal current I_{th}	In open air, normal conditions ¹⁾	A	1000	1250	1600
	In enclosure 40°C	A	1000	1250	1250
	In enclosure 60°C	A	800	1000	1000
...with minimum cable or bar cross section	Cu	mm ²	2x (60x5)	2x (50x8)	2x (50x10)
Rated operational current / poles in series	1000 One circuit	A	1000/4	1250/4	1600/4
Rated short-time withstand current, 1000 V, 1 s	R.M.S. -value I_{cw}	kA	10	10	10
Rated short circuit making capacity, 1000 V	Peak value I_{cm}	kA	10	10	10
Power loss / pole	At rated current	W	22	35	58

¹⁾ Normal conditions defined in IEC 60947-1, section 6.1

—
Technical data according to IEC 60947 for enclosed switch-disconnectors OTDCP

Switch size			OTDCP16	OTDCP25	OTDCP32
Rated insulation voltage U_i	Pollution degree 2	V	1250	1250	1250
	Pollution degree 3	V	1000	1000	1000
Dielectric strength	50 Hz 1 min	kV	6	6	6
Rated impulse withstand voltage		kV	8	8	8
Rated thermal current I_{th} DC-20	In enclosure 40°C	A	25	32	45
	In enclosure 60°C	A	25	32	32
Rated operational current / poles in series DC-21B	600 V	A	16/2	25/2	32/2
	1000 V	A	16/3	25/3	32/3
		A	10/2	16/2	20/2
	2x660 V ¹⁾	A	16/4	25/4	32/4
Rated short-time withstand current, 1000 V, 1 s	R.M.S. -value I_{cw}	kA	0.4	0.6	0.8
Power loss / pole	At rated current	W	0.15	0.3	0.5

¹⁾ 1000 V with all the poles connected in series, 600 V with 2 poles in series.

Technical data

OTDC16...1000, UL

Technical data in accordance to UL508I for photovoltaic disconnect switches OTDC16...32U

Suitable For Use in Photovoltaic Systems in Accordance With Article 690 of the NEC.

Switch size		OTDC16U		OTDC25U	OTDC32U
UL Listed	Standard	UL 508I		UL 508I	UL 508I
Rated ambient temperature		°C	-20...+60	-20...+60	-20...+60
Rated current /poles in series	600 V	One circuit	A 16/2	25/2	
		Two circuits	A 16/2	25/2x2	32/2x2
Short circuit rating	600 V	kA	5	5	5
Protection type			RK5 Fuse	RK5 Fuse	RK5 Fuse
Wire range	MCM		12-6 AWG	12-6 AWG	12-6 AWG
Technical data according to IEC 60947	See IEC table for type		OTDC16U	OTDC25U	OTDC32U

Technical data in accordance to UL98B for photovoltaic disconnect switches OTDC100...245U

Suitable For Use in Photovoltaic Systems in Accordance With Article 690 of the NEC.

Switch size		OTDC100U		OTDC200U	OTDC245U ¹⁾
UL Listed	Standard	UL98B		UL98B	UL98B
Rated ambient temperature		°C	-20...+50	-20...+50	-20...+50
Rated current /poles in series	1000 V	One circuit	A 100/2	200/2	250/2 ¹⁾
		Two circuits	A 100/2x2	200/2x2	
		Three circuits	A 100/3x2	200/3x2	
	1500 V	One circuit	A 100/4	200/4	
Short circuit rating	1000 V	kA	10	10	10
Protection type			Circuit breaker	Circuit breaker	Circuit breaker
Wire range	MCM		#250-500	#250-500	#250-500
Technical data according to IEC 60947	See IEC table for type		OTDC160E	OTDC250E	OTDC250E

¹⁾ For enclosure details, please refer to installation instructions or consult us.

Technical data in accordance to UL98B for photovoltaic disconnect switches OTDC250UF_...600UF_

Suitable For Use in Photovoltaic Systems in Accordance With Article 690 of the NEC.

Switch size		OTDC250UF_		OTDC320UF_	OTDC400UF_	OTDC600UF_
UL Listed	Standard	UL98B		UL98B	UL98B	UL98B
Rated ambient temperature		°C	-20...+50 °C	-20...+50 °C	-20...+50 °C	-20...+50 °C
Rated current /poles in series	1000 V	One circuits	A 250/2	320/2	400/2	600/2
		Two circuits	A 250/2x2	320/2x2	400/2x2	600/2x2
	1500 V	One circuits	A 250/2	320/2	400/2	600/2
		Two circuits	A 250/2x2	320/2x2	400/2x2	600/2x2
Short circuit rating	1000 V	kA	10	10	10	10
	1500 V	kA	10	10	10	10
Protection type			Circuit breaker	Circuit breaker	Circuit breaker	Circuit breaker
Mechanical lug			OZXA 402	OZXA 402	OZXA 402	OZXA 406
Wire range	MCM		300kcmil-6 Cu/Al	300kcmil-6 Cu/Al	300kcmil-6 Cu/Al	2x 300kcmil-6 Cu/Al
Tightening torque		lb-in.	275	275	275	275
Technical data according to IEC 60947	See IEC table for type		OTDC315F_	OTDC400F_	OTDC500F_	OTDC630F_

—
Technical data in accordance to UL98B for photovoltaic disconnect switches OTDC250UF...400UF-ESS
 Suitable For Use in Photovoltaic Systems in Accordance With Article 690 of the NEC.

Switch size				OTDC250UF_-ESS	OTDC320UF_-ESS	OTDC400UF_-ESS
UL Listed	Standard			UL98B	UL98B	UL98B
Rated ambient temperature	°C			-20...+50°C	-20...+50°C	-20...+50°C
Rated current /poles in series	1500 V	One circuits	A	250/2	320/2	400/2
Rated conditional short-circuit current	R.M.S. -value I _q		kA	30	30	30
	Max. ETI fuse size, gPV ¹⁾	L/R=1ms	A	400	400	400
Mechanical lug				OZXA 402	OZXA 402	OZXA 402
Wire range	MCM			300kcmil-6 Cu/Al	300kcmil-6 Cu/Al	300kcmil-6 Cu/Al
Tightening torque	lb-in.			275	275	275
Technical data according to IEC 60947	See IEC table for type			OTDC315F_	OTDC400F_	OTDC500F_

¹⁾ Fuse manufacturer, size and type: ETI, 400A, Cat.no 004110 followed by 632, 637 or 642. More details from the fuse manufacturer catalog.

—
Technical data in accordance to UL98B for photovoltaic disconnect switches OTDC800...1000U
 Suitable For Use in Photovoltaic Systems in Accordance With Article 690 of the NEC.

Switch size				OTDC800US22	OTDC800U22	OTDC1000US22	OTDC1000U22
UL Listed	Standard			UL98B	UL98B	UL98B	UL98B
Rated ambient temperature	°C			-20...+50	-20...+50	-20...+50	-20...+50
Rated current /poles in series	1000 V	One circuit	A	800 / 4	800 / 4	930 / 4 ¹⁾	1000 / 4 ²⁾
Short circuit rating	1000 V		kA	10	10	10	10
Protection type				Circuit breaker	Circuit breaker	Circuit breaker	Circuit breaker
Wire range	MCM			4 x #4 - 300	4 x #4 - 300	4 x #4 - 300	4 x #4 - 300
Cable lug				OZXA1200	OZXA1200	OZXA1200	OZXA1200
Technical data according to IEC 60947	See IEC table for type			OTDC1000E	OTDC1250E	OTDC1250E	OTDC1600E

¹⁾ When shrouds are used rated current I = 920A

²⁾ When shrouds are used rated current I = 980A

Direct current switch-disconnectors are a perfect solution for any photovoltaic plant, regardless of size or geographical location.



Circuits

90	Circuit 1a - Single Circuit
91	Circuit 2a, 2b - Single Circuit
92	Circuit 3 - Double Circuit
93	Circuit 4a, 4c - Double Circuit
94	Circuit 6a, 6b - Single Circuit
95	Circuit 6m - Single Circuit
96	Circuit 7a, 7e - Triple Circuit
97	Circuit 7i - Triple Circuit

Circuits

Circuit 1a - Single Circuit

OTDC100...245US_

1000 VDC
OTDC_US11



1000 VDC
OTDC_US02

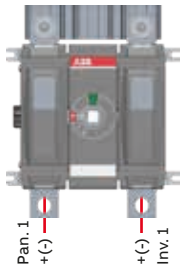


1000 VDC
OTDC_US20S

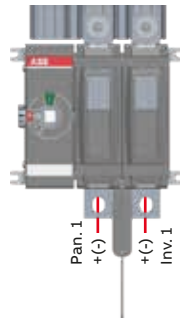


OTDC250...400UFS_

1000 VDC / 1500 VDC
OTDC_UFS11/OTDC_UFSV11



1000 VDC / 1500 VDC
OTDC_UFS02/OTDC_UFSV02



OTDC600UFS_

1000 VDC / 1500 VDC
OTDC_UFS11/OTDC_UFSV11



1000 VDC / 1500 VDC
OTDC_UFS02/OTDC_UFSV02



Circuit 1a as factory fitted

Connection kits are factory installed in grounded types OTDC_S_. Phase barriers are included in types OTDC_02 - installation mandatory.

Frame size	Switch	Order code	
		1000Vdc	1500Vdc
S	OTDC100...245US11	See page 55	-
	OTDC100...245US02		
	OTDC100...245US20S	See page 57	
M	OTDC250...400UFS11, _UFSV11	See page 60	See page 63
	OTDC250...400UFS02, _UFSV02		
	OTDC600UFS11, _UFSV11		
	OTDC600UFS02, _UFSV02		

Circuit 1a field customized with accessories

Phase barriers are included in types OTDC_02/20 - installation mandatory.

Frame size	Switch	Description	Type	Order code	Needed quantity
M	OTDC250...400UF11, _UFV11, _UFV11-ESS	Connection bar kit	OTDCKIT400FS101	1SCA157317R1001	1
	OTDC250...400UF02, _UFV02				
	OTDC600UF11, _UFV11, _UFV11-ESS	Connection bar kit	OTDCKIT600FS101	1SCA157319R1001	1
	OTDC600UF02, _UFV02				

Circuits

Circuit 2a, 2b - Single Circuit

OTDC100...250E_, OTDC100...245U_

1000 VDC
OTDC_E11



1000 VDC
OTDC_U02
OTDC_E02



1000 VDC
OTDC_U20
OTDC_E20



1000 VDC
OTDC_U02S
OTDC_E02S



1000 VDC
OTDC_U20S
OTDC_E20S



OTDC315...800F_, OTDC250...600UF_

1000 VDC / 1500 VDC
OTDC_F11/OTDC_FV11, OTDC_FV11-ESS
OTDC_UF11/OTDC_UFV11, OTDC_UFV11-ESS



1000 VDC / 1500 VDC
OTDC_F02/OTDC_FV02
OTDC_UF02/OTDC_UFV02



Phase barrier is mandatory for OTDC_02/20 connection types.

Circuits

Circuit 3 - Double Circuit

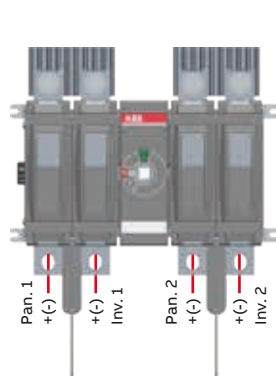
OTDC100..200US_

1000 VDC
OTDC_US22



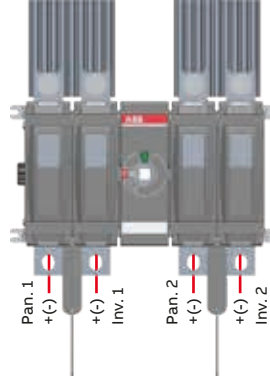
OTDC250..400UFS_

1000 VDC / 1500 VDC
OTDC_UFS22/OTDC_UFSV22



OTDC600UFS_

1000 VDC / 1500 VDC
OTDC_UFS22/OTDC_UFSV22



Circuit 3 as factory fitted

Connection kits are factory installed in grounded types OTDC_S_. Phase barriers are included in types OTDC_22 - installation mandatory.

Frame size	Switch	Order code	
		1000Vdc	1500Vdc
S	OTDC100..200US22	See page 55	-
M	OTDC250...400UFS22, _UFSV22	See page 62	See page 65
	OTDC600UFS22, _UFSV22		

Circuit 3 with accessories

Phase barriers are included in types OTDC_22 - installation mandatory.

Frame size	Switch	Description	Type	Order code	Needed quantity
M	OTDC250...400UF22, _UFV22		OTDCKIT400FS11	1SCA157318R1001	1
	OTDC600UF22, _UFV22		OTDCKIT600FS11	1SCA157320R1001	1

Circuits

Circuit 4a, 4c - Double Circuit

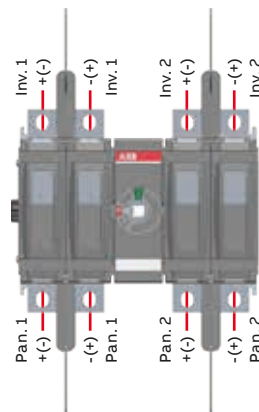
OTDC100...250E22, OTDC100...245U22

1000 VDC



OTDC315...630F_, OTDC250...600UF_

1000 VDC / 1500 VDC
 OTDC_F22/OTDC_FV22
 OTDC_UF22/OTDC_UFV22



Phase barrier is mandatory for OTDC_22 connection types.

Circuits

Circuit 6a, 6b - Single Circuit

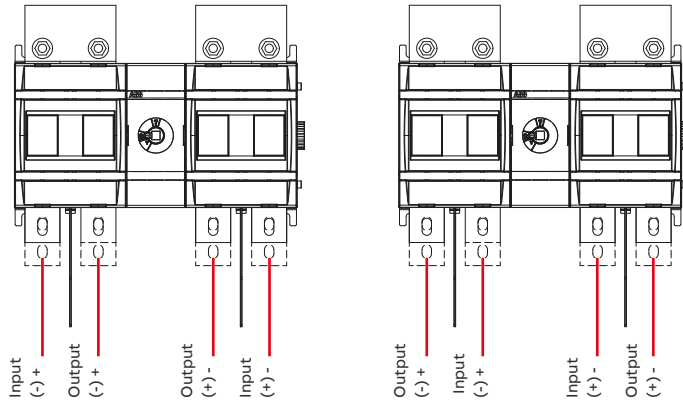
OTDC100...200EV_, OTDC100...200UV_

1500 VDC
OTDC_EV22, OTDC_UV22



OTDC1000...1600E_, OTDC800...1000U_

1000 VDC
OTDC_E22, OTDC_U22



Circuit 6a, 6b as factory fitted

Phase barriers are included in types OTDC_22 - installation mandatory.

Frame size	Switch	Order code	
		1000Vdc	1500Vdc
S	OTDC100...200UV22	-	See page 58
	OTDC100...200EV22		See page 40

Circuit 6a, 6b with accessories

Phase barriers are included in types OTDC_22 - installation mandatory.

Frame size	Switch	Description	Type	Order code	Needed quantity
S	OTDC100...200E	Connection bar kit	OTDCKIT250S11	1SCA148902R1001	2
L	OTDC1000...1600E22	Connection bar kit	OTDCKIT1250B11	1SCA143479R1001	2
	OTDC800...1000U22	Shroud	OTDCS1250T2	1SCA144021R1001	2

Circuits

Circuit 6m - Single Circuit

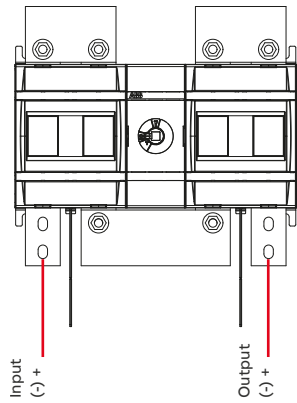
OTDC100...200USV22

1500 VDC



OTDC800...1000US22

1000 VDC



Circuit 6m as factory fitted

Phase barriers are included in types OTDC_22 - installation mandatory.

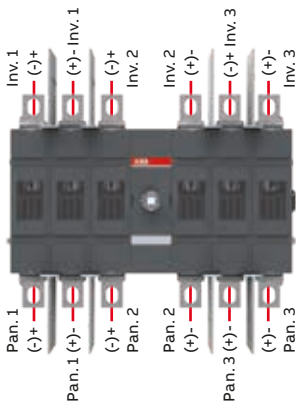
Frame size	Switch	Order code	
		1000Vdc	1500Vdc
S	OTDC100...200USV22	-	See page 58
L	OTDC800...1000US22	See page 66	-

Circuits

Circuit 7a, 7e - Triple Circuit

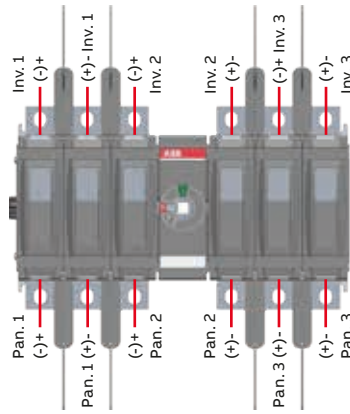
OTDC100...200E33, OTDC100...200U33

1000 VDC



OTDC315...640F33

1000 / 1500 VDC



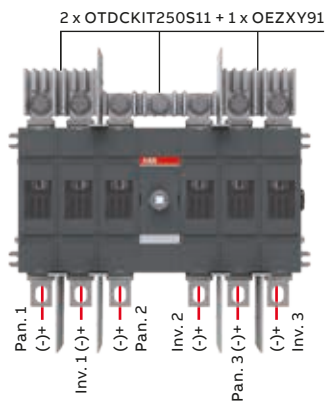
Phase barrier is mandatory for OTDC_33 connection types.

Circuits

Circuit 7i - Triple Circuit

OTDC100...200US33

1000 VDC



Circuit 7i as factory fitted

Phase barriers are included in types OTDC_33 - installation mandatory.

Frame size	Switch	Order code	
		1000Vdc	1500Vdc
S	OTDC100...200US33	See page 57	-

A wide range of accessories makes our switch-disconnectors extremely versatile and adaptable for all applications.



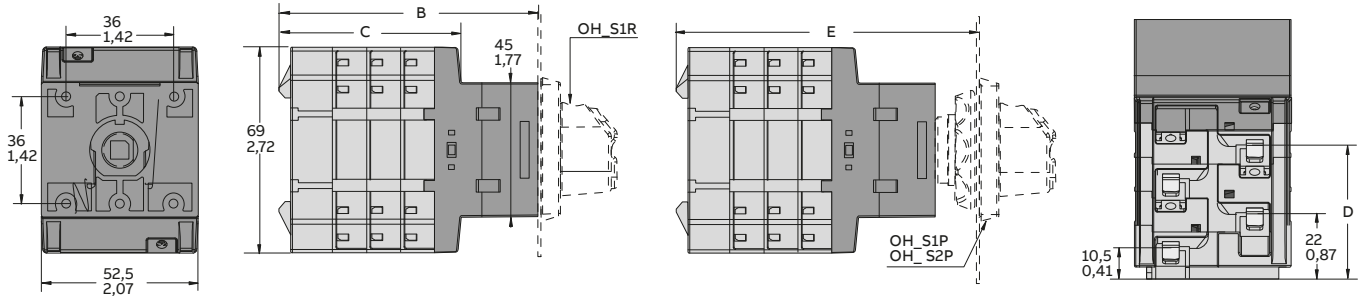
Dimensional drawings

100	16...32 (IEC and UL), door mounting
101	16...32 (IEC and UL), base mounting
102	100...250 (IEC and UL)
105	100...245 (UL), side operated
106	315...800 (IEC), 250...600 (UL)
110	Enclosed switch-disconnectors, jumpers
111	Handles
113	Terminal shrouds
114	Phase barriers
115	Mechanical lugs

Dimensional drawings

16...32 (IEC and UL), door mounting

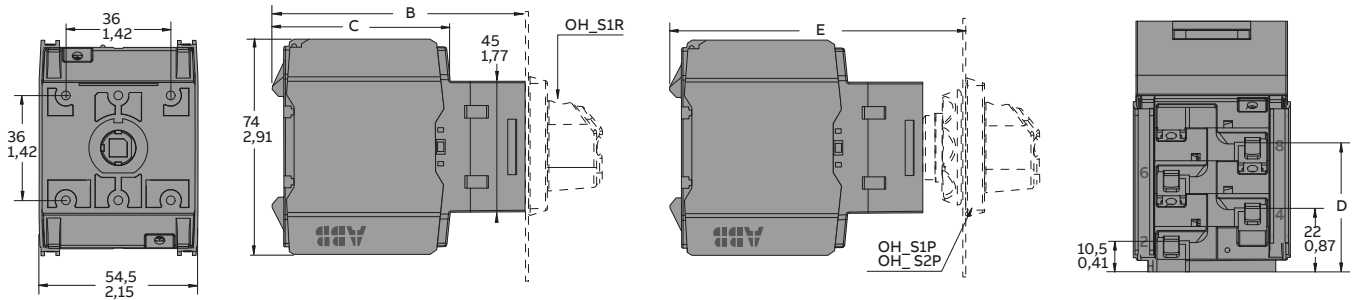
OTDC16...32FT_, door mounting (IEC)



[mm/in]	02	04	06
B	64/2,52	87/3,43	110/4,33
C	38/1,50	61/2,40	84/3,31
D	22/0,87	45/1,77	68/2,68
E	79/3,11	102/4,02	124,5/4,9

OTDC16...OTDC32UT_, door mounted (UL)

OTDC 16-32UT_

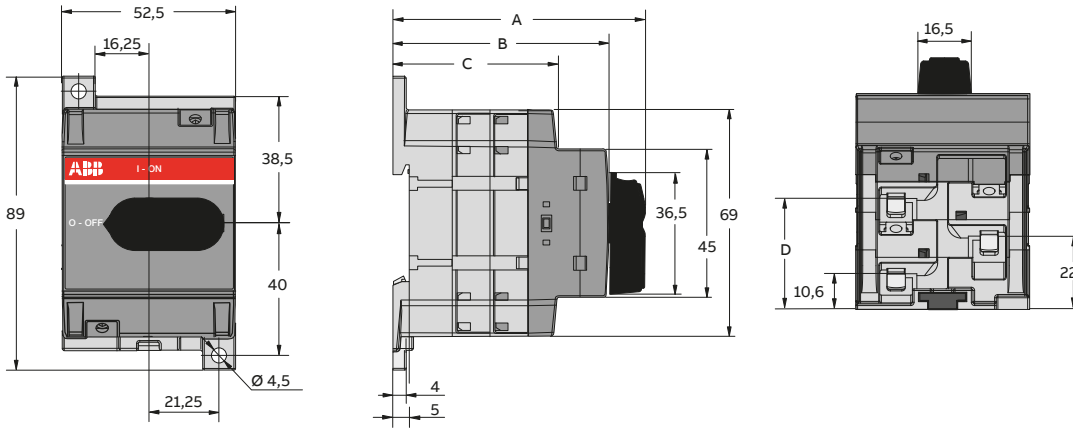


[mm/in]	02	04	06
B	64/2,52	87/3,43	110/4,33
C	38/1,50	61/2,40	84/3,31
D	22/0,87	45/1,77	68/2,68
E	79/3,11	102/4,02	124,5/4,9

Dimensional drawings

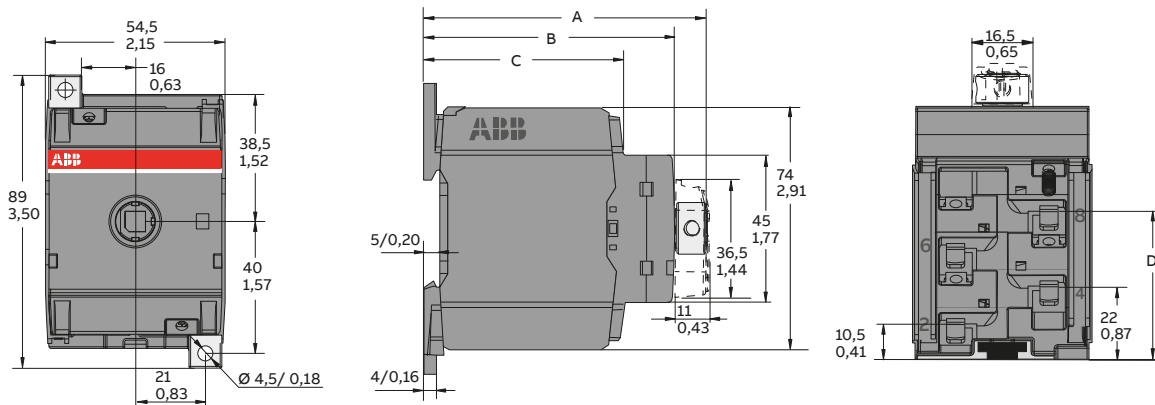
16...32 (IEC and UL), base mounting

OTDC16...32F_



Number of poles	A	B	C	D
2	66,2	54,1	38,3	22
3	77,6	65,5	49,7	33,4
4	89	76,9	61,1	44,8

OTDC 16-36U_



[mm/in]	02	04	06
B	64/2,52	87/3,43	109,5/4,31
C	54/2,13	77/3,03	100/3,94
D	38,5/1,52	61/2,40	84/3,31
E	22/0,87	45/1,77	67,5/2,66

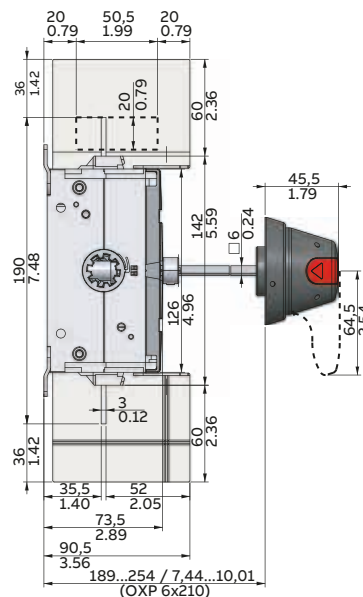
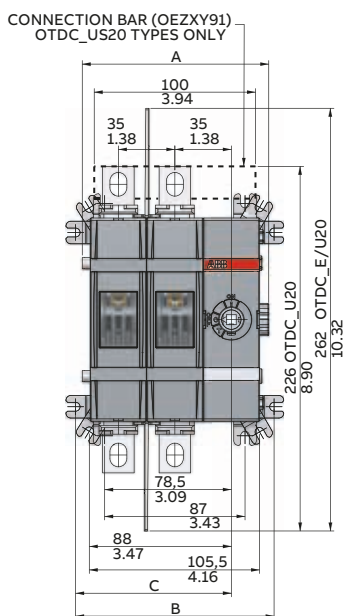
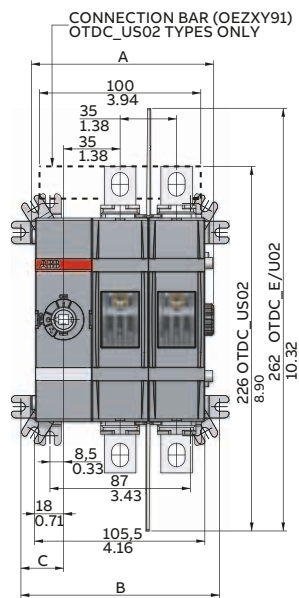
Dimensional drawings

100...250 (IEC and UL)

OTDC100, 160, 200, 250E02..20

OTDC100, 200, 245U02..20

OTDC100, 200, 245US02..20

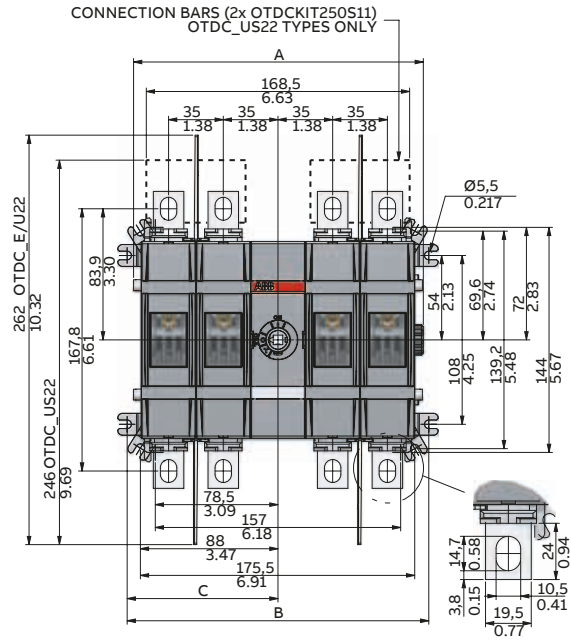
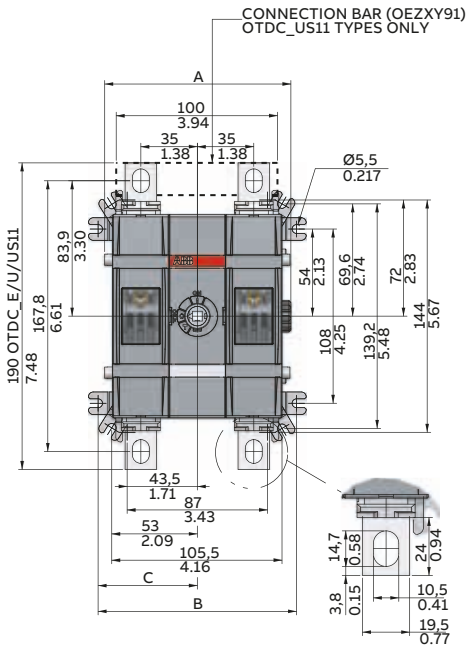


OTDC100..250E02
OTDC100..245U02
OTDC100..245US02

OTDC100..250E20
OTDC100..245U20
OTDC100..245US20

[mm/in]	02	20
A	113/4.45	115,6/4.55
B	123/4.84	123/4.84
C	26,5/1.04	96,5/3.80

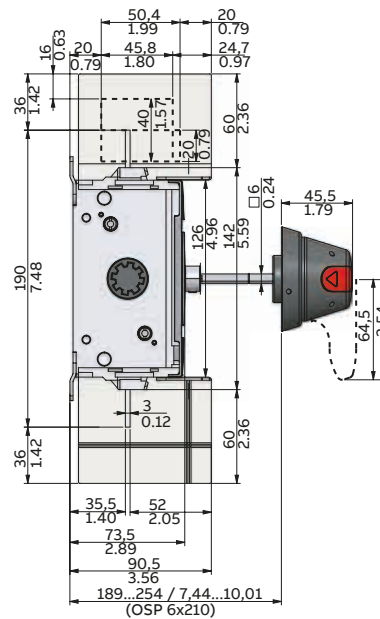
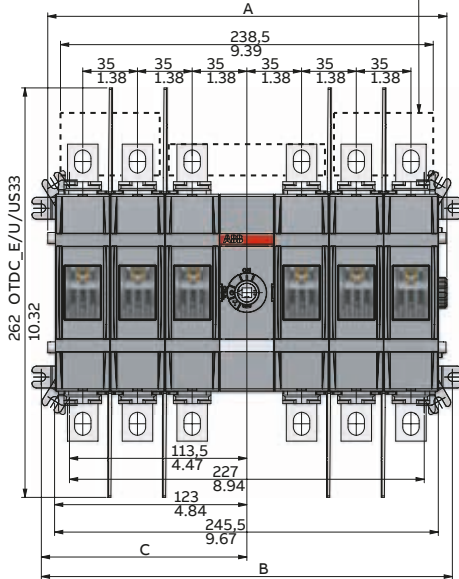
OTDC100, 160, 200, 250E11..33 / OTDC100, 200U22..33, 245U11 / OTDC100, 200US22..33, 245US11



OTDC100..250E11, OTDC100..245U11, OTDC100..245US11

OTDC100..250E22, OTDC100..200U22, OTDC100..200US22

**CONNECTION BARS (2x OTDCKIT250S11 + 1x OEZXY91)
OTDC_US33 TYPES ONLY**



OTDC100..250E22, OTDC100..200U22, OTDC100..200US22

[mm/in]	11	22	33
A	115,4/4.54	185,4/7.30	255,4/10.06
B	123/4.84	193/7.60	263/10.35
C	61,5/2.42	96,5/3.80	131,5/5.18

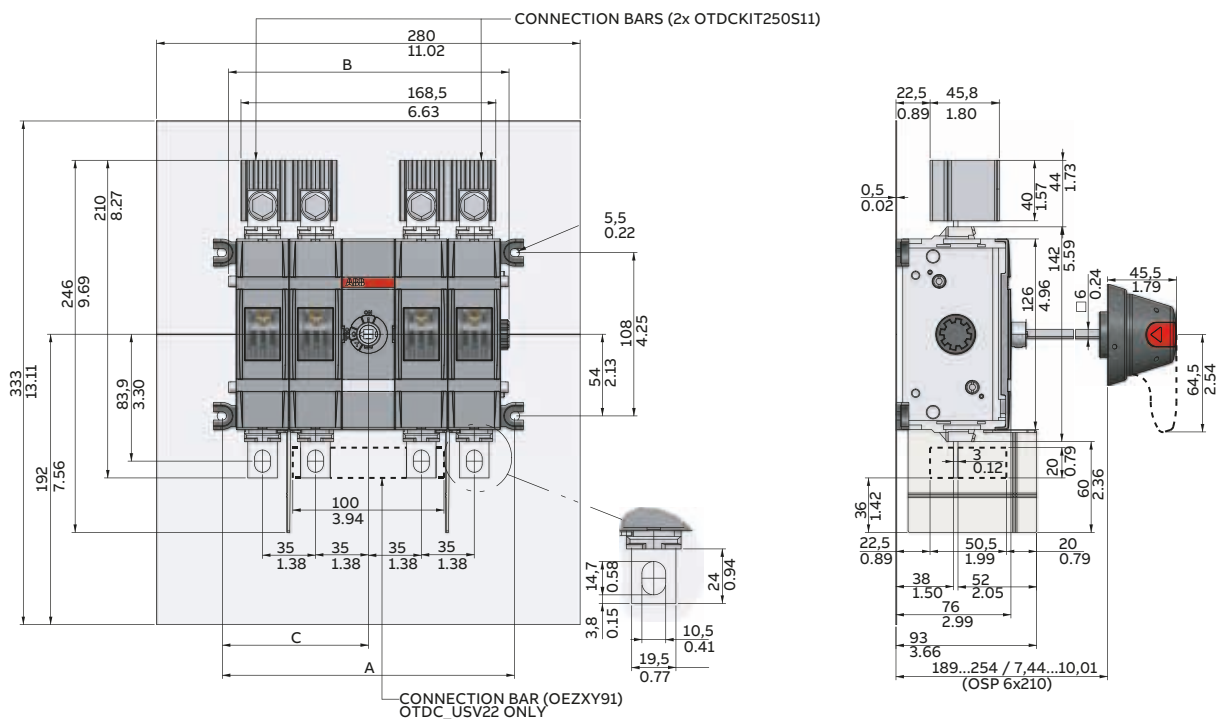
Dimensional drawings

100...250 (IEC and UL)

OTDC100, 160, 200EV22

OTDC100, 200UV22

OTDC100, 200USV22



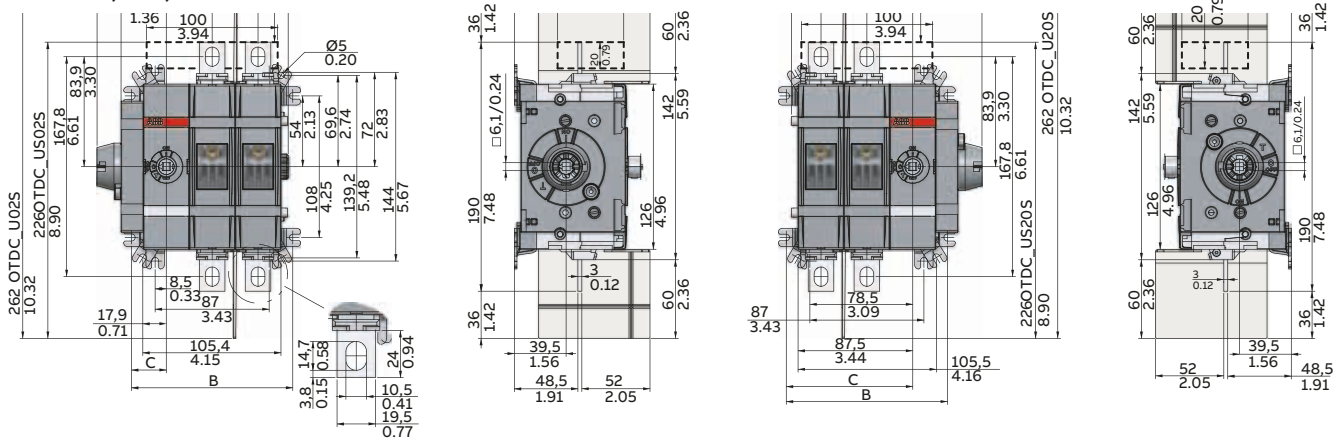
OTDC100..200EV22
OTDC100..200UV22
OTDC100..200USV22

[mm/in]	22
A	193/7.60
B	185,4/7.30
C	96,5/3.80

Dimensional drawings

100...245 (UL), side operated

OTDC100, 200, 245U02...20S
OTDC100, 200, 245U02...20S



OTDC100..245U02S, OTDC100..245U02S

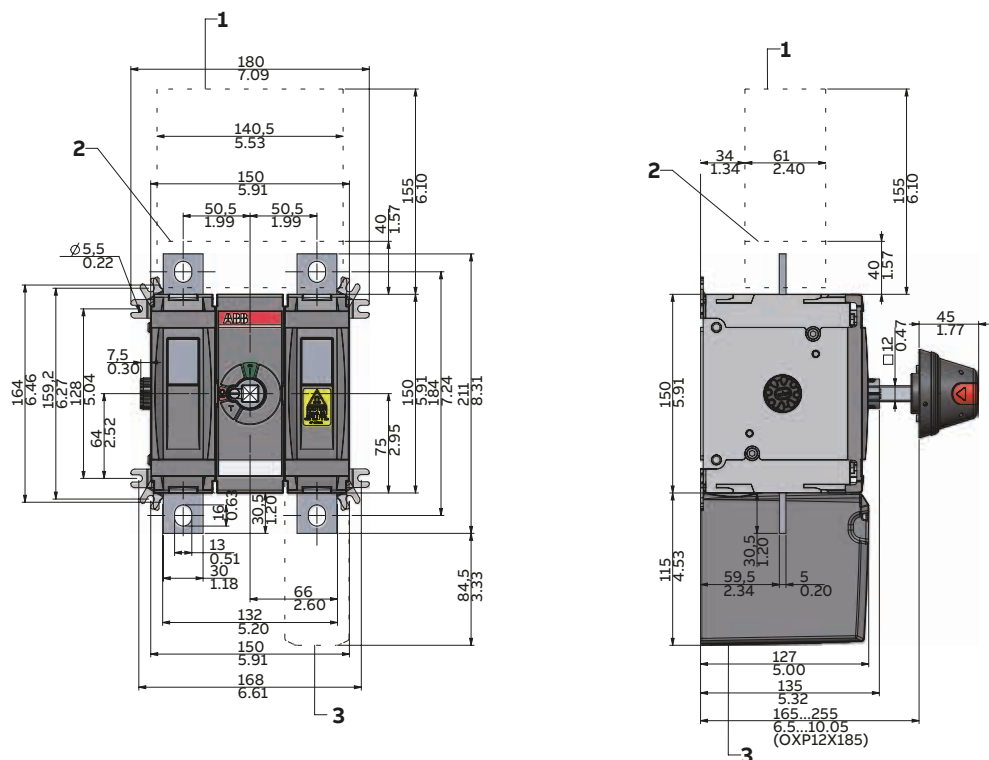
OTDC100..245U20S, OTDC100..245U20S

[mm/in]	02	20
A	145,8/5.74	145,2/5.72
B	123/4.84	123/4.84
C	26,5/1.04	96,5/3.80

Dimensional drawings

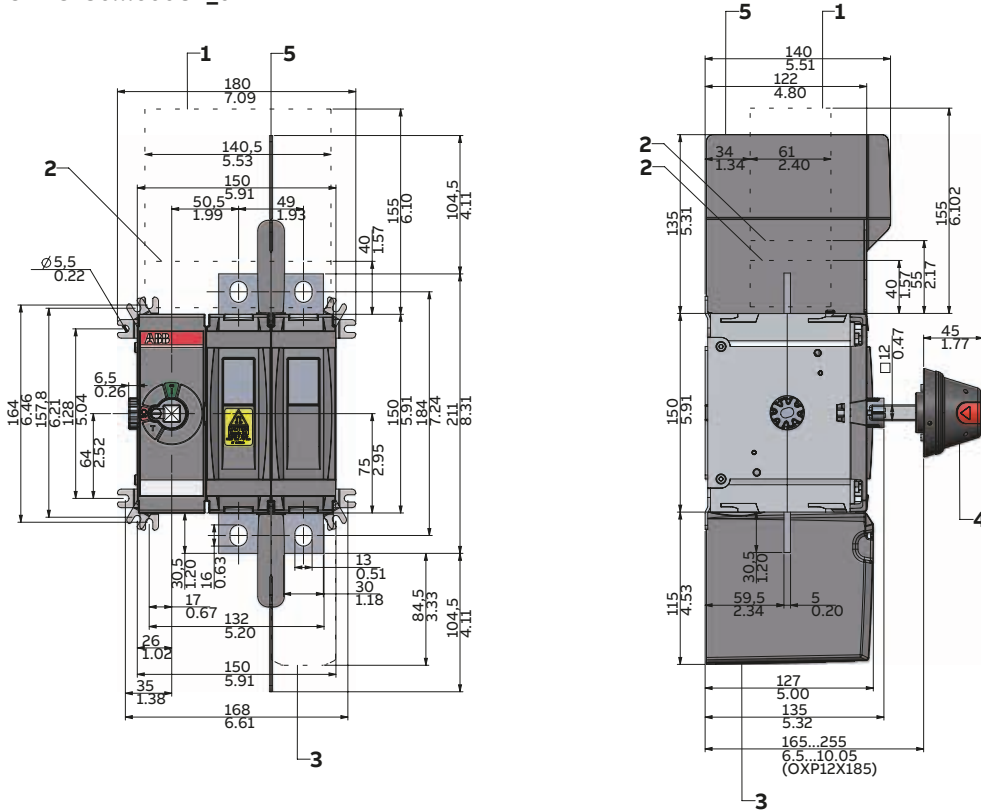
315...800 (IEC), 250...600 (UL)

OTDC315...800F_11
OTDC250...600UF_11



Pos.	Accessory	Description
1	Connection bar	OTDCKIT600FS101, OTDC600UF_11 only
2	Connection bar	OTDCKIT400FS101, OTDC250...400UF_11 only
3	Terminal shroud	OTDCS400FG1, OTDCS400FT1
4	Handle	In OTDC315...800F_P and OTDC250...600UF_P types

OTDC315...630F_02
OTDC250...600UF_02

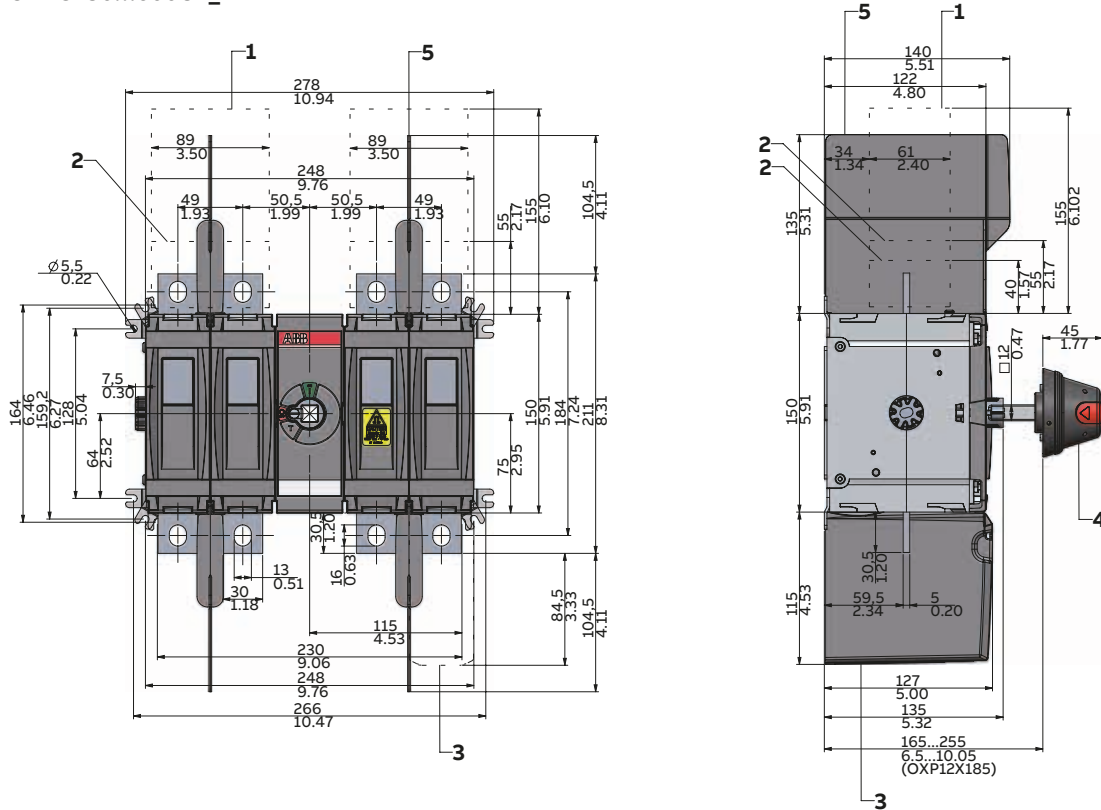


Pos.	Accessory	Description
1	Connection bar	OTDCKIT600FS101, OTDC600UF_02 only
2	Connection bar	OTDCKIT400FS101, OTDC250...400UF_02 only
3	Terminal shroud	OTDCS400FG1, OTDCS400FT1
4	Handle	In OTDC315...630F_P and OTDC250...600UF_P types
5	Phase barrier	OTDCB400F/2

Dimensional drawings

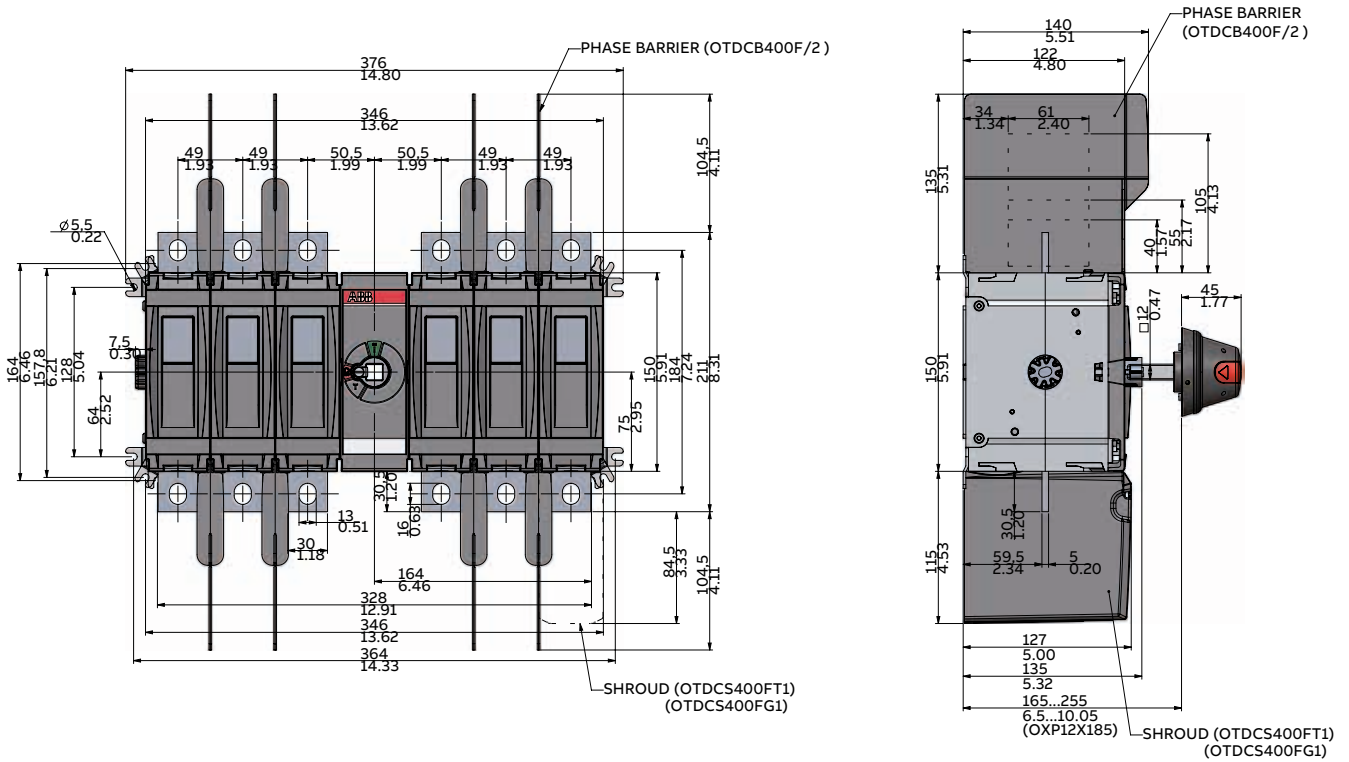
315...630 (IEC), 250...600 (UL)

OTDC315...630F_22
OTDC250...600UF_22



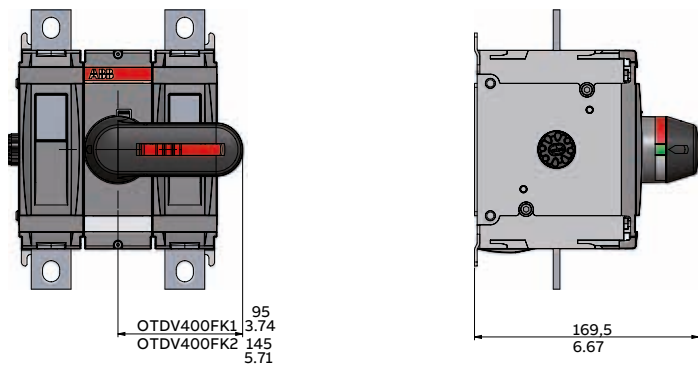
Pos.	Accessory	Description
1	Connection bar	OTDCKIT600FS11, OTDC600UF_22 only
2	Connection bar	OTDCKIT400FS11, OTDC250...400UF_22 only
3	Terminal shroud	OTDCS400FG1, OTDCS400FT1
4	Handle	In OTDC315...630F_P and OTDC250...600UF_P types
5	Phase barrier	OTDCB400F/2

OTDC315...500F_33_



Pos.	Accessory	Description
3	Terminal shroud	OTDCS400FG1, OTDCS400FT1
4	Handle	In OTDC315...500F_P and OTDC250...600UF_P types
5	Phase barrier	OTDCB400F/2

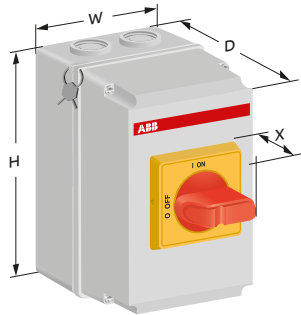
OTDC315...630F_K_
OTDC250...600UF_K_



Dimensional drawings

Enclosed switch-disconnectors, jumpers

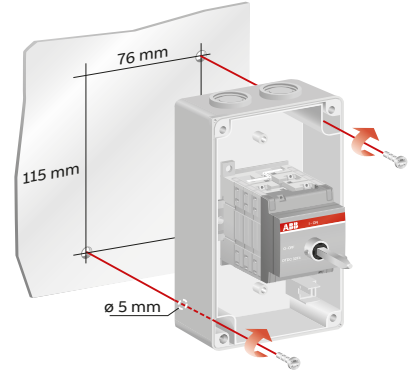
OTDCP16...32 (IEC)



M16/M20 Cable entry

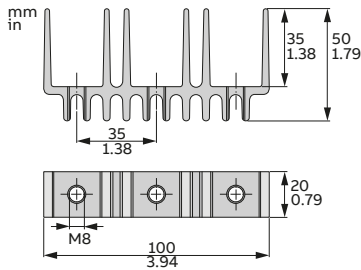


M25 Cable entry

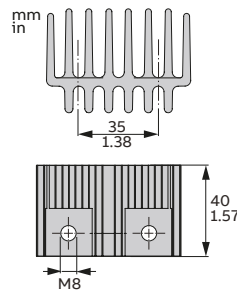


Type	Size [mm]			
Safety switch	H	W	D	E
Enclosure with M25 cable entry				
M25	174	95	95	34.5
Enclosure with M20 and M16 cable entry				
M20/M16	150	95	95	34.5

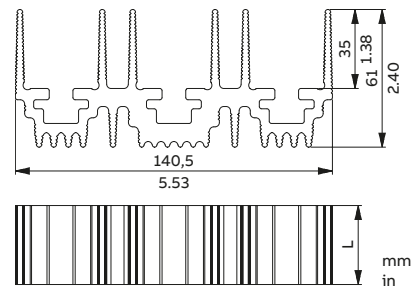
OEZXY91 (IEC and UL)



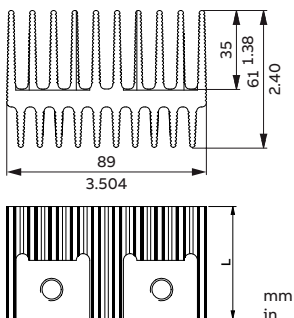
OTDCKIT250S11 (IEC and UL)



OTDCKIT400FS101 (IEC and UL)



OTDCKIT400FS11 (IEC and UL)



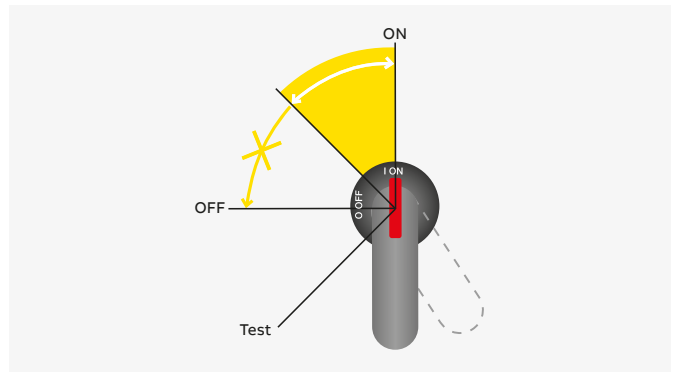
Dimensional drawings

Handles

Handle indications and functions

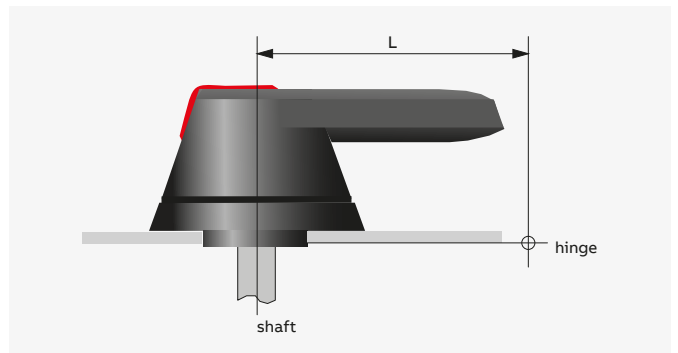
The handle indicates the position of the contacts with complete reliability in all situations. If the contacts are welded together, the handle does not reach the OFF-position but remains between ON and OFF, maintaining the door interlock and preventing padlocking.

When operating the switch fuse to the Test-position with a test handle the test auxiliary contacts change position. The main contacts remain open.

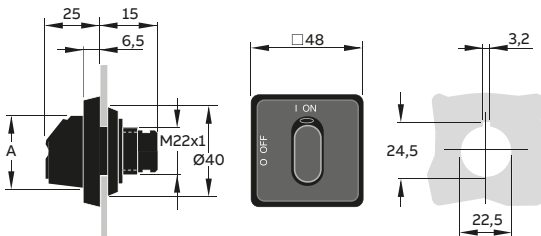


Minimum distance L between the hinge and the rotating shaft

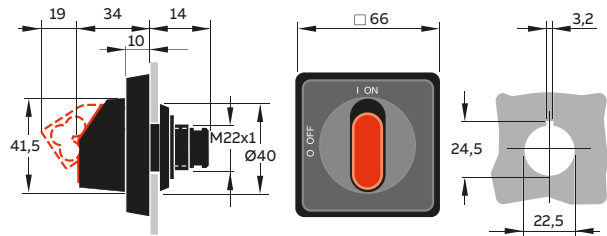
Sizes [A]	Length L	Handle type [mm]
OT160...250_P	60	OH_65J_
OT315...400_P	95	OH_95J_
OT630...800_P	150	OH_125J_
OT1000...2500_P	274	OH_274J_
OT1000...2500_P	330	OH_330J_
OETL3150	220	YASDA7, 8
OETL3150	275	OH_275J12



Handles for base and DIN-rail mounted switches



OH_S1A_ / OH_S3A_



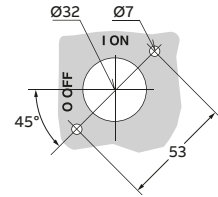
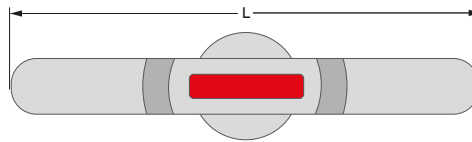
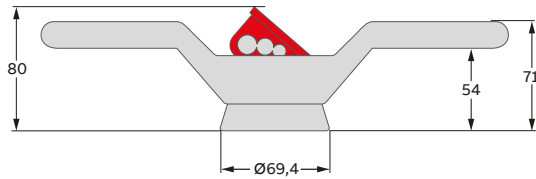
OH_S2A_

[mm]	OH_S1A_	OH_S3A_
A	31,5	37,5

Dimensional drawings

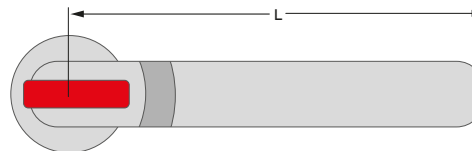
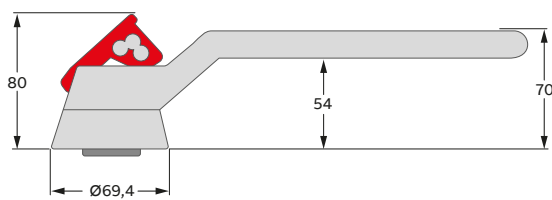
Handles

Plastic handles

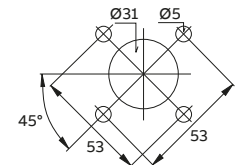
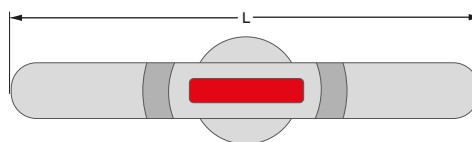
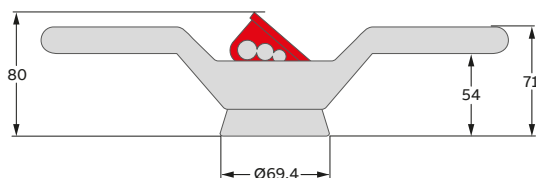


— Door drilling for OH_handles

Handle type [mm]	Shaft diameter B	Length L
OH_65J6	6	65
OH_80J6	6	80
OH_95J12	12	95
OH_125J12	12	125
OH_145J12	12	145
OH_175J12	12	175
OH_275J12	12	275



Handle type [mm]	Length L
OH_274J12	274
OH_330J12	330



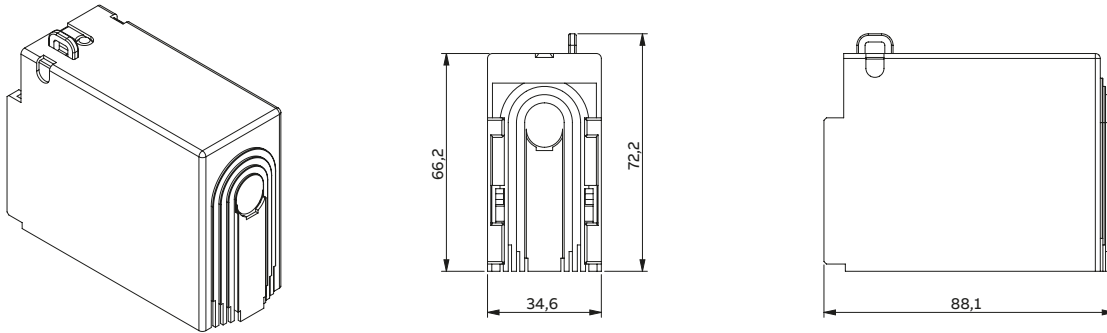
— Door drilling for OHB_handles

Handle type [mm]	Length L
OHB150J12P	300
OHB200J12P	400

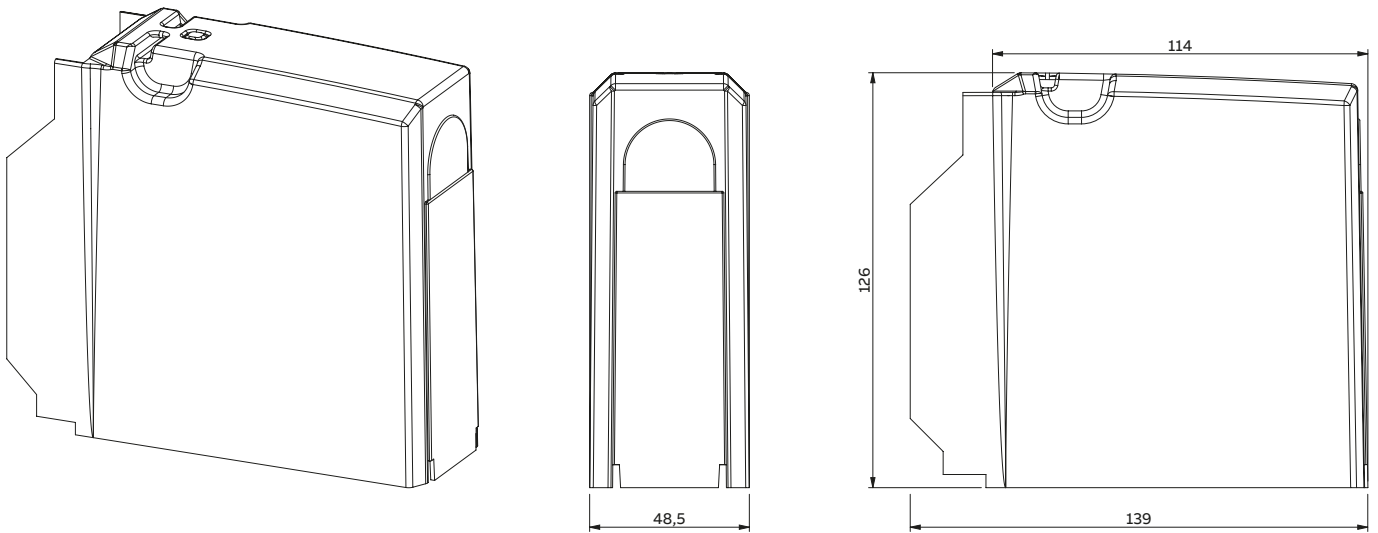
Dimensional drawings

Terminal shrouds

OTS250_1L/4

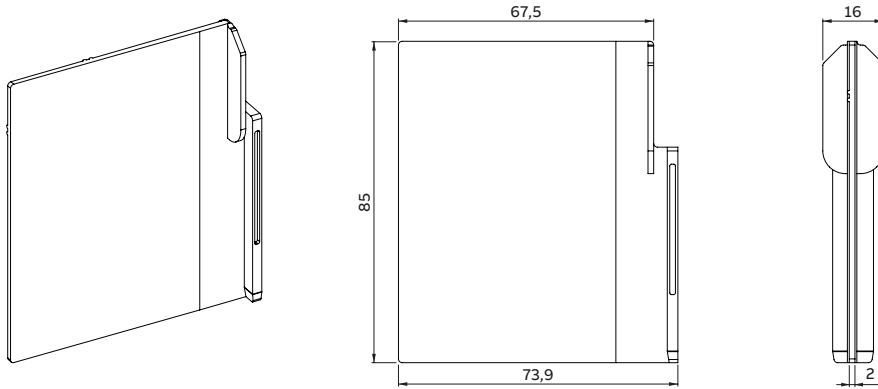
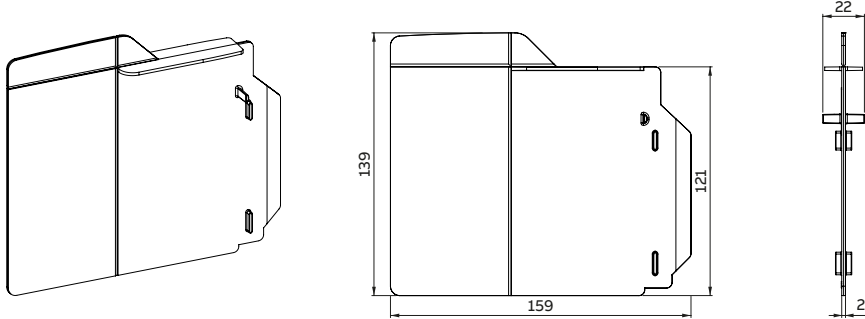


OTDCS400FG1 / OTDCS400FT1



Dimensional drawings

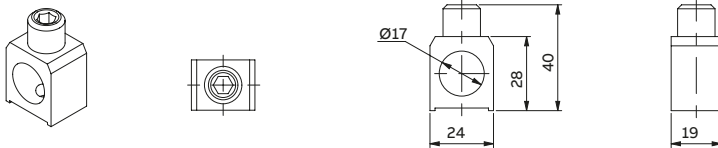
Phase barriers

OTDCB250/2**OTDCB400F/2**

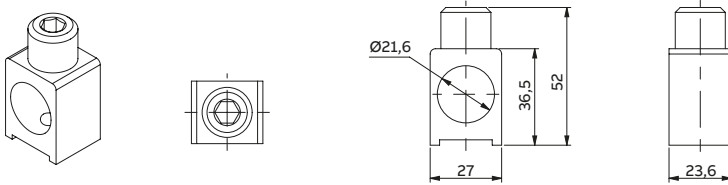
Dimensional drawings

Mechanical lugs

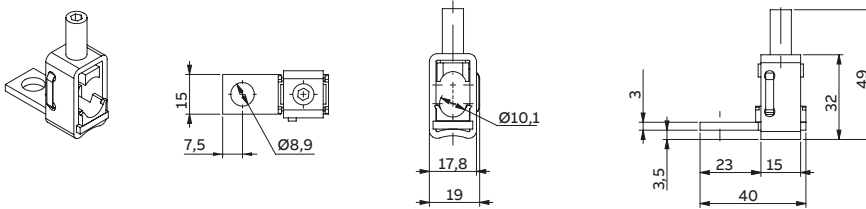
OZXA200



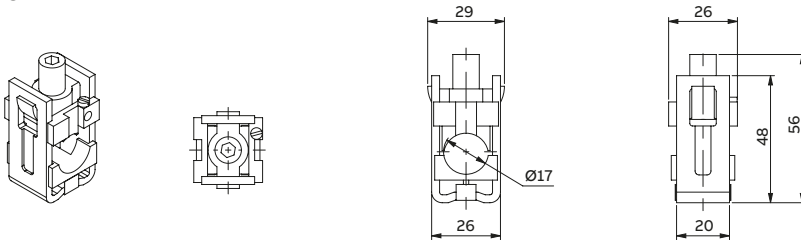
OZXA250



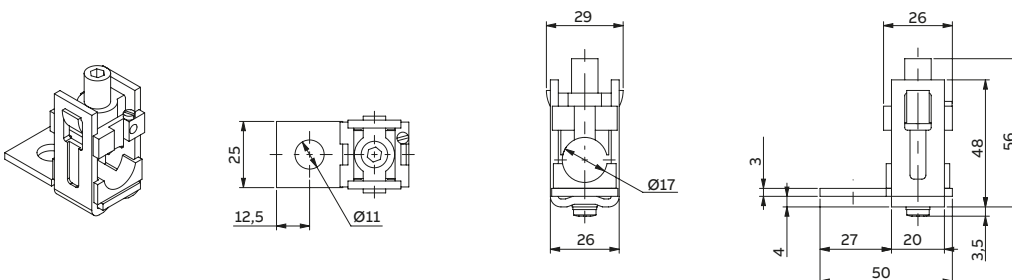
OZXB1L



OZXB2



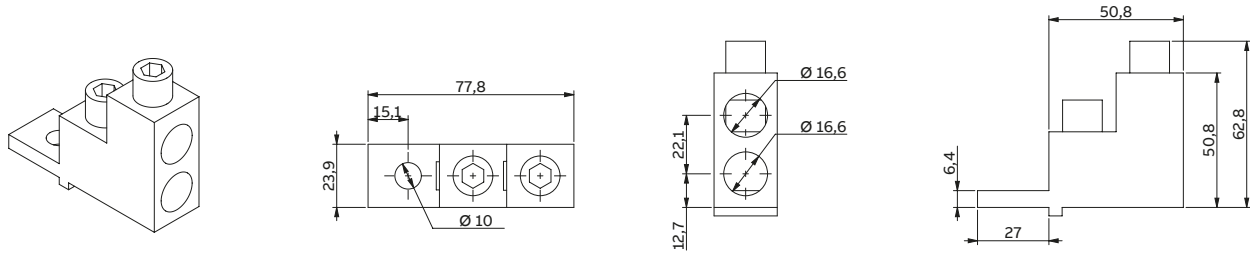
OZXB2L



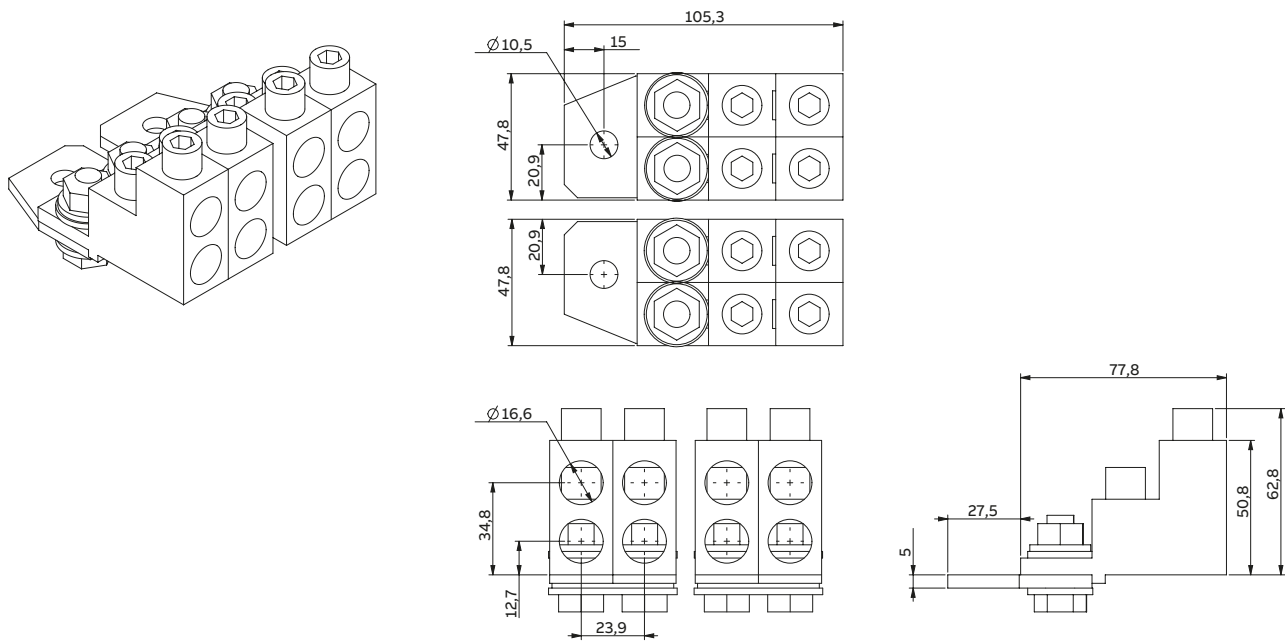
Dimensional drawings

Mechanical lugs

OZXA402



OZXA604



Index

Index

Description	Type	Order number	Page	
Auxiliary contact blocks	OA1G10	1SCA022353R4970	77	
	OA3G01	1SCA022456R7410	77	
	OEA28	1SCA022714R8810	77	
Bolt kit	M8x25	-	39, 40, 56, 57, 58	
	M10x30	-	42, 43, 44, 45, 46, 47, 48, 60, 62, 63, 65, 66	
	M12x40	-	42, 43, 44, 45, 46, 47, 48, 60, 62, 63, 65, 66	
Connection bar kits	OEZXY91	1SCA125290R1001	78	
	OTDCKIT250S11	1SCA148902R1001	78	
	OTDCKIT400FS101	1SCA157317R1001	78	
	OTDCKIT400FS11	1SCA157318R1001	78	
	OTDCKIT600FS101	1SCA157319R1001	78	
	OTDCKIT600FS11	1SCA157320R1001	78	
Direct mount handles	OTDV250EK	1SCA127390R1001	74	
	OTDV400FK1	1SCA157315R1001	74	
	OTDV400FK2	1SCA157316R1001	74	
	OTDVY250EK	1SCA127391R1001	74	
	OTV1000EK	1SCA106608R1001	74	
Double circuit, 1000 VDC, IEC	OTDC100E22	1SCA125824R1001	38	
	OTDC160E22	1SCA125844R1001	38	
	OTDC200E22	1SCA125856R1001	38	
	OTDC250E22	1SCA125869R1001	38	
	OTDC315F22	1SCA158294R1001	43	
	OTDC400F22	1SCA158298R1001	43	
	OTDC500F22	1SCA158302R1001	43	
	OTDC630F22	1SCA158306R1001	43	
	Double circuit, 1000 VDC, UL	OTDC100U22	1SCA126180R1001	55
OTDC100US22		1SCA126181R1001	55	
OTDC180U22		1SCA126941R1001	55	
OTDC180US22		1SCA126942R1001	55	
OTDC200U22		1SCA126129R1001	55	
OTDC200US22		1SCA126189R1001	55	
OTDC250UF22		1SCA158292R1001	62	
OTDC250UFS22		1SCA158396R1001	62	
OTDC320UF22		1SCA158296R1001	62	
OTDC320UFS22		1SCA158398R1001	62	
OTDC400UF22		1SCA158300R1001	62	
OTDC400UFS22		1SCA158400R1001	62	
OTDC600UF22		1SCA158304R1001	62	
OTDC600UFS22		1SCA158364R1001	62	
Double circuit, 1500 VDC, IEC		OTDC315FV22	1SCA158295R1001	46
		OTDC400FV22	1SCA158299R1001	46
		OTDC500FV22	1SCA158303R1001	46
		OTDC630FV22	1SCA158307R1001	46

Description	Type	Order number	Page
Double circuit, 1500 VDC, UL	OTDC250UFSV22	1SCA158397R1001	65
	OTDC250UFV22	1SCA158293R1001	65
	OTDC320UFSV22	1SCA158399R1001	65
	OTDC320UFV22	1SCA158297R1001	65
	OTDC400UFSV22	1SCA158401R1001	65
	OTDC400UFV22	1SCA158301R1001	65
	OTDC600UFSV22	1SCA158366R1001	65
	OTDC600UFV22	1SCA158305R1001	65
	ESS Switch disconnectors	OTDC250UFV11-ESS	1SCA158167R1001
OTDC315FV11-ESS		1SCA158179R1001	48
OTDC320UFV11-ESS		1SCA158191R1001	66
OTDC400FV11-ESS		1SCA158203R1001	48
OTDC400UFV11-ESS		1SCA158216R1001	66
OTDC500FV11-ESS		1SCA158227R1001	48
OTDC600UFV11-ESS		1SCA158240R1001	66
Extended shafts for pistol handles	OTDC630FV11-ESS	1SCA158251R1001	48
	OXPI2X166	1SCA022325R7100	75
	OXPI2X185	1SCA022325R6710	75
	OXPI2X250	1SCA022325R6980	75
	OXPI2X280	1SCA022137R5140	75
	OXPI2X325	1SCA022042R5810	75
	OXPI2X395	1SCA022042R5990	75
	OXPI2X465	1SCA022042R6020	75
	OXPI2X535	1SCA022042R6110	75
	OXPI6X130	1SCA022057R0570	75
	OXPI6X150	1SCA022295R5600	75
Extended shafts for selector handles	OXPI6X161	1SCA022067R1760	75
	OXPI6X210	1SCA022295R6080	75
	OXPI6X290	1SCA022042R6370	75
	OXS6X105	1SCA108043R1001	75
	OXS6X120	1SCA101654R1001	75
	OXS6X130	1SCA101655R1001	75
	OXS6X160	1SCA101656R1001	75
	OXS6X180	1SCA101659R1001	75
	OXS6X250	1SCA101660R1001	75
	OXS6X85	1SCA101647R1001	75
Handle	OHB65J6	-	39, 40, 56, 58
	OHB65JE005	-	57
	OHB95J12	-	42, 45, 47, 48, 60, 63, 66
	OHB125J12	-	42, 45, 47, 48, 60, 63, 66
	OHB145J12	-	43, 45, 46, 47, 48, 60, 62, 63, 65, 66
	OTDV250EK	-	39, 40, 56, 58

Description	Type	Order number	Page	
Handle	OTDV400FK1	-	42, 45, 48, 60, 63, 66	
	OTDV400FK2	-	43, 44, 45, 46, 47, 48, 60, 62, 63, 65, 66	
Handle knobs for base and DIN rail mounted switches	OHBS1	1SCA109087R1001	70	
	OHBS1/1	1SCA109088R1001	70	
	OHBS2	1SCA109089R1001	70	
	OHBS2/1	1SCA109090R1001	70	
	OHBS3	1SCA108320R1001	70	
	OHBS3/1	1SCA108319R1001	70	
	OHRS1	1SCA109095R1001	70	
	OHRS1/1	1SCA109096R1001	70	
	OHRS2	1SCA108598R1001	70	
	OHRS2/1	1SCA108599R1001	70	
Mechanical lugs	OZXA200/1	1SCA022747R8940	80	
	OZXA250/1	1SCA148396R1001	80	
	OZXA402	1SCA157321R1001	80	
	OZXA604	1SCA157322R1001	80	
	OZXA1200/1	1SCA130842R1001	80	
	OZXB1/L	1SCA022169R2030	80	
	OZXB2/1	1SCA022119R7610	80	
	OZXB2L/1	1SCA022158R7750	80	
Mechanism interlock kits and electrical interlocks	OTZT4A	1SCA106526R1001	80	
	OTZT4L	1SCA106531R1001	80	
OH_ handles for side operation	OHB65J6E00S	1SCA022382R9850	74	
	OHB65J6TE00S	1SCA109016R1001	74	
	OHG65J6E00S	1SCA022383R4510	74	
	OHG65J6TE00S	1SCA109014R1001	74	
	OHY65J6E00S	1SCA022382R9930	74	
	OHY65J6TE00S	1SCA022688R0140	74	
OTDC16...32U_T	OTDC16UST2	1SCA134581R1001	33, 53	
	OTDC16UST4	1SCA134582R1001	33, 53	
	OTDC16UST6	1SCA134583R1001	34, 54	
	OTDC16UT2	1SCA134387R1001	33, 53	
	OTDC16UT4	1SCA134390R1001	33, 53	
	OTDC16UT6	1SCA134580R1001	34, 54	
	OTDC25UST2	1SCA134578R1001	33, 53	
	OTDC25UST4	1SCA134579R1001	33, 53	
	OTDC25UT2	1SCA134388R1001	33, 53	
	OTDC25UT4	1SCA134391R1001	33, 53	
	OTDC32UST4	1SCA136706R1001	33, 53	
	OTDC32UT2	1SCA141966R1001	33, 53	
	OTDC32UT4	1SCA136705R1001	33, 53	
	Phase separators	OTDCB250/2	1SCA148901R1001	76
		OTDCB400F/2	1SCA157314R1001	76

Description	Type	Order number	Page
Pistol handles	OHB125J12	1SCA022381R1560	73
	OHB125J12T	1SCA022652R2220	73
	OHB145J12	1SCA022381R2110	73
	OHB274J12	1SCA115920R1001	73
	OHB65J6	1SCA022380R9660	73
	OHB65J6T	1SCA022399R8110	73
	OHB80J6	1SCA022381R0240	73
	OHB95J12	1SCA022381R0830	73
	OHB95J12T	1SCA022736R1750	73
	OHG125J12	1SCA022381R1640	73
	OHG65J6	1SCA022380R9740	73
	OHG80J6	1SCA022381R0320	73
	OHG95J12	1SCA022381R0910	73
	OHY125J12	1SCA022381R1720	73
	OHY125J12T	1SCA022652R2310	73
	OHY274J12	1SCA115919R1001	73
	OHY65J6	1SCA022380R9820	73
	OHY65J6T	1SCA022456R9540	73
	OHY80J6	1SCA022381R0410	73
Plastic enclosed switch- disconnectors OTDCP_, IEC	OTDCP16S11M	1SCA125129R1001	35
	OTDCP16S12M	1SCA125153R1001	35
	OTDCP16S22M	1SCA125095R1001	36
	OTDCP16S22MD	1SCA131730R1001	36
	OTDCP16SA11M	1SCA125126R1001	35
	OTDCP16SA12M	1SCA125150R1001	35
	OTDCP16SA22M	1SCA125094R1001	36
	OTDCP16SA22M25	1SCA144900R1001	36
	OTDCP16SA22MD	1SCA131850R1001	36
	OTDCP25S11M	1SCA125130R1001	35
	OTDCP25S12M	1SCA125154R1001	35
	OTDCP25S22M	1SCA125092R1001	36
	OTDCP25S22MD	1SCA131731R1001	36
	OTDCP25SA11M	1SCA125127R1001	35
	OTDCP25SA12M	1SCA125151R1001	35
	OTDCP25SA22M	1SCA125091R1001	36
	OTDCP25SA22M25	1SCA144902R1001	36
	OTDCP25SA22MD	1SCA131851R1001	36
	OTDCP32S11M	1SCA125131R1001	35
OTDCP32S12M	1SCA125155R1001	35	
OTDCP32S22M	1SCA125093R1001	36	
OTDCP32S22MD	1SCA131732R1001	36	
OTDCP32SA11M	1SCA125128R1001	35	
OTDCP32SA12M	1SCA125152R1001	35	
OTDCP32SA22M	1SCA125090R1001	36	
OTDCP32SA22M25	1SCA144904R1001	36	
OTDCP32SA22MD	1SCA131852R1001	36	

Index

Description	Type	Order number	Page	
Selector handles for base and DIN-rail mounted switches	OHBS1AH	1SCA102680R1001	72	
	OHBS1AH1	1SCA105210R1001	72	
	OHBS2AJ	1SCA105213R1001	72	
	OHBS2AJ1	1SCA105215R1001	72	
	OHBS2AJEH	1SCA108230R1001	72	
	OHBS3AH	1SCA105234R1001	72	
	OHBS3AH1	1SCA105235R1001	72	
	OHYS1AH	1SCA105290R1001	72	
	OHYS1AH1	1SCA105291R1001	72	
	OHYS2AJ	1SCA105296R1001	72	
	OHYS2AJ1	1SCA105297R1001	72	
	OHYS3AH	1SCA105325R1001	72	
	OHYS3AH1	1SCA105326R1001	72	
	Selector handles, for door mounted switches	OHBS1PH	1SCA105211R1001	71
		OHBS1RH	1SCA105212R1001	71
		OHBS2PJ	1SCA105231R1001	71
OHBS2RJ		1SCA105232R1001	71	
OHBS3PH		1SCA105236R1001	71	
OHBS3RH		1SCA105237R1001	71	
OHYS1PH		1SCA105294R1001	71	
OHYS1RH		1SCA105295R1001	71	
OHYS2PJ		1SCA105322R1001	71	
OHYS2RJ		1SCA105323R1001	71	
OHYS3PH		1SCA105327R1001	71	
OHYS3RH		1SCA105328R1001	71	
Shaft	OHB125J12	-	42, 44	
	OHB145J12	-	42, 44	
	OTDV400FK2	-	42	
	EXP12x185	-	42, 43, 44, 45, 46, 47, 48, 60, 62, 63, 65, 66	
	EXP6X210	-	39, 40, 56, 57, 58	
Shrouds for jumpers connection bars	OTDCS1250T2	1SCA144021R1001	79	
	OTDCS1250T3	1SCA143477R1001	79	
Side operated, single circuit, 1000 VDC, UL	OTDC100U20S	1SCA131540R1001	57	
	OTDC100US20S	1SCA131541R1001	57	
	OTDC200U20S	1SCA131548R1001	57	
	OTDC200US20S	1SCA131549R1001	57	
	OTDC245U20S	1SCA149113R1001	57	
	OTDC245US20S	1SCA149115R1001	57	
Single circuit, 1000 VDC, IEC	OTDC100E02	1SCA125822R1001	38	
	OTDC100E11	1SCA125821R1001	38	
	OTDC160E02	1SCA125840R1001	38	
	OTDC160E11	1SCA123745R1001	38	
	OTDC200E02	1SCA123687R1001	38	
	OTDC200E11	1SCA125626R1001	38	
	OTDC250E02	1SCA125866R1001	38	
	OTDC250E11	1SCA125865R1001	38	

Description	Type	Order number	Page
Single circuit, 1000 VDC, IEC	OTDC315F02	1SCA158170R1001	42
	OTDC315F11	1SCA158172R1001	42
	OTDC400F02	1SCA158194R1001	42
	OTDC400F11	1SCA158196R1001	42
	OTDC500F02	1SCA158206R1001	42
	OTDC500F11	1SCA158220R1001	42
	OTDC630F02	1SCA158230R1001	42
	OTDC630F11	1SCA158244R1001	42
	OTDC800F11	1SCA158853R1001	42
	OTDC1000E22	1SCA142337R1001	49
	OTDC1000E22K	1SCA143710R1001	49
	OTDC1000E22P	1SCA143711R1001	49
	OTDC1250E22	1SCA140871R1001	49
	OTDC1250E22K	1SCA143716R1001	49
	OTDC1250E22P	1SCA143717R1001	49
Single circuit, 1000 VDC, UL	OTDC1600E22	1SCA143718R1001	49
	OTDC1600E22K	1SCA143719R1001	49
	OTDC1600E22P	1SCA143720R1001	49
	OTDC100U02	1SCA126184R1001	55
	OTDC100U11	1SCA123957R1001	55
	OTDC100US02	1SCA126155R1001	55
	OTDC100US11	1SCA125437R1001	55
	OTDC200U02	1SCA126123R1001	55
	OTDC200U11	1SCA123767R1001	55
	OTDC200US02	1SCA126121R1001	55
	OTDC200US11	1SCA125436R1001	55
	OTDC245U02	1SCA149100R1001	55
	OTDC245U11	1SCA149102R1001	55
	OTDC245US02	1SCA149106R1001	55
	OTDC245US11	1SCA149108R1001	55
	OTDC250UF02	1SCA158158R1001	60
	OTDC250UF11	1SCA158160R1001	60
	OTDC250UFS02	1SCA158324R1001	60
	OTDC250UFS11	1SCA158326R1001	60
	OTDC320UF02	1SCA158182R1001	60
	OTDC320UF11	1SCA158184R1001	60
	OTDC320UFS02	1SCA158336R1001	60
	OTDC320UFS11	1SCA158338R1001	60
OTDC400UF02	1SCA158207R1001	60	
OTDC400UF11	1SCA158209R1001	60	
OTDC400UFS02	1SCA158349R1001	60	
OTDC400UFS11	1SCA158354R1001	60	
OTDC600UF02	1SCA158231R1001	60	
OTDC600UF11	1SCA158233R1001	60	
OTDC600UFS02	1SCA158368R1001	60	
OTDC600UFS11	1SCA158370R1001	60	
OTDC800U22	1SCA142338R1001	67	
OTDC800U22K	1SCA143721R1001	67	
OTDC800U22S	1SCA142339R1001	67	
OTDC800U22K	1SCA143722R1001	67	
OTDC1000U22	1SCA143712R1001	67	

Description	Type	Order number	Page	
Single circuit, 1000 VDC, UL	OTDC1000U22K	1SCA143713R1001	67	
	OTDC1000US22	1SCA143714R1001	67	
	OTDC1000US22K	1SCA143715R1001	67	
Single circuit, 1500 VDC, IEC	OTDC100EV22	1SCA149073R1001	40	
	OTDC160EV22	1SCA149080R1001	40	
	OTDC200EV22	1SCA149081R1001	40	
	OTDC315FV02	1SCA158176R1001	45	
	OTDC315FV11	1SCA158178R1001	45	
	OTDC400FV02	1SCA158200R1001	45	
	OTDC400FV11	1SCA158202R1001	45	
	OTDC500FV02	1SCA158224R1001	45	
	OTDC500FV11	1SCA158226R1001	45	
	OTDC630FV02	1SCA158248R1001	45	
	OTDC630FV11	1SCA158250R1001	45	
Single circuit, 1500 VDC, UL	OTDC800FV11	1SCA158856R1001	45	
	OTDC100USV22	1SCA149095R1001	58	
	OTDC100UV22	1SCA149076R1001	58	
	OTDC200USV22	1SCA149097R1001	58	
	OTDC200UV22	1SCA149077R1001	58	
	OTDC250UFSV02	1SCA158330R1001	63	
	OTDC250UFSV11	1SCA158332R1001	63	
	OTDC250UFV02	1SCA158164R1001	63	
	OTDC250UFV11	1SCA158166R1001	63	
	OTDC320UFSV02	1SCA158342R1001	63	
	OTDC320UFSV11	1SCA158344R1001	63	
	OTDC320UFV02	1SCA158188R1001	63	
	OTDC320UFV11	1SCA158190R1001	63	
	OTDC400UFSV02	1SCA158358R1001	63	
	OTDC400UFSV11	1SCA158360R1001	63	
	OTDC400UFV02	1SCA158213R1001	63	
	OTDC400UFV11	1SCA158215R1001	63	
	OTDC600UFSV02	1SCA158374R1001	63	
	OTDC600UFSV11	1SCA158376R1001	63	
	OTDC600UFV02	1SCA158237R1001	63	
OTDC600UFV11	1SCA158239R1001	63		
Switch-disconnectors OTDC_, base or DIN-rail mounting, IEC	OTDC16F2	1SCA121454R1001	29	
	OTDC16F3	1SCA121457R1001	29	
	OTDC16F4	1SCA121461R1001	29	
	OTDC16U2	1SCA134369R1001	31, 51	
	OTDC16U4	1SCA134370R1001	31, 51	
	OTDC16U6	1SCA134371R1001	32, 52	
	OTDC16US2	1SCA134372R1001	31, 51	
	OTDC16US4	1SCA134373R1001	31, 51	
	OTDC16US6	1SCA134374R1001	32, 52	
	OTDC25F2	1SCA121455R1001	29	
	OTDC25F3	1SCA121458R1001	29	
	OTDC25F4	1SCA121462R1001	29	
	OTDC25U2	1SCA134375R1001	31, 51	
	OTDC25U4	1SCA134377R1001	31, 51	
	OTDC25U6	1SCA141960R1001	32, 52	
	OTDC25US2	1SCA134378R1001	31, 51	
	Switch-disconnectors OTDC_, base or DIN-rail mounting, IEC	OTDC25U54	1SCA134379R1001	31, 51
		OTDC32F2	1SCA121456R1001	29
		OTDC32F3	1SCA121459R1001	29
		OTDC32F4	1SCA121463R1001	29
OTDC32U2		1SCA141976R1001	31, 51	
OTDC32U4		1SCA136703R1001	31, 51	
OTDC32U6		1SCA141963R1001	32, 52	
OTDC32US4		1SCA136704R1001	31, 51	
OTDC16FT2		1SCA123839R1001	30	
OTDC16FT3		1SCA123840R1001	30	
OTDC16FT4		1SCA123841R1001	30	
OTDC25FT2		1SCA123842R1001	30	
OTDC25FT3		1SCA123843R1001	30	
OTDC25FT4	1SCA123844R1001	30		
OTDC32FT2	1SCA123845R1001	30		
OTDC32FT3	1SCA123846R1001	30		
OTDC32FT4	1SCA123847R1001	30		
Terminal shrouds	OTDCS400FG1	1SCA157308R1001	79	
	OTDCS400FT1	1SCA157309R1001	79	
	OTS1600G1L	1SCA106134R1001	79	
	OTS1600G1S	1SCA102667R1001	79	
	OTS250G1L	1SCA022715R5340	79	
	OTS250T1L	1SCA022726R0640	79	
Triple circuit, 1000 VDC, IEC	OTDC100E33	1SCA149066R1001	39	
	OTDC160E33	1SCA149065R1001	39	
	OTDC200E33	1SCA149067R1001	39	
	OTDC315F33	1SCA158286R1001	44	
	OTDC400F33	1SCA158287R1001	44	
	OTDC500F33	1SCA158288R1001	44	
Triple circuit, 1000 VDC, UL	OTDC100U33	1SCA149069R1001	56	
	OTDC100US33	1SCA149086R1001	56	
	OTDC200U33	1SCA149090R1001	56	
	OTDC200US33	1SCA149087R1001	56	
Triple circuit, 1500 VDC, IEC	OTDC315FV33	1SCA158844R1001	47	
	OTDC400FV33	1SCA158847R1001	47	
	OTDC500FV33	1SCA158850R1001	47	

Additional information

We reserve the right to make technical changes or modify the contents of this document without prior notice. With regard to purchase orders, the agreed particulars shall prevail. ABB does not accept any responsibility whatsoever for potential errors or possible lack of information in this document.

We reserve all rights in this document and in the subject matter and illustrations contained therein. Any reproduction, disclosure to third parties or utilization of its contents – in whole or in parts – is forbidden without prior written consent of ABB.



—

ABB Oy

Protection and Connection

P.O. Box 622

FI-65101 Vaasa

Finland

www.abb.com

Find the address of your local sales organization on the ABB homepage:

www.abb.com/contacts

> Low Voltage Products and Systems