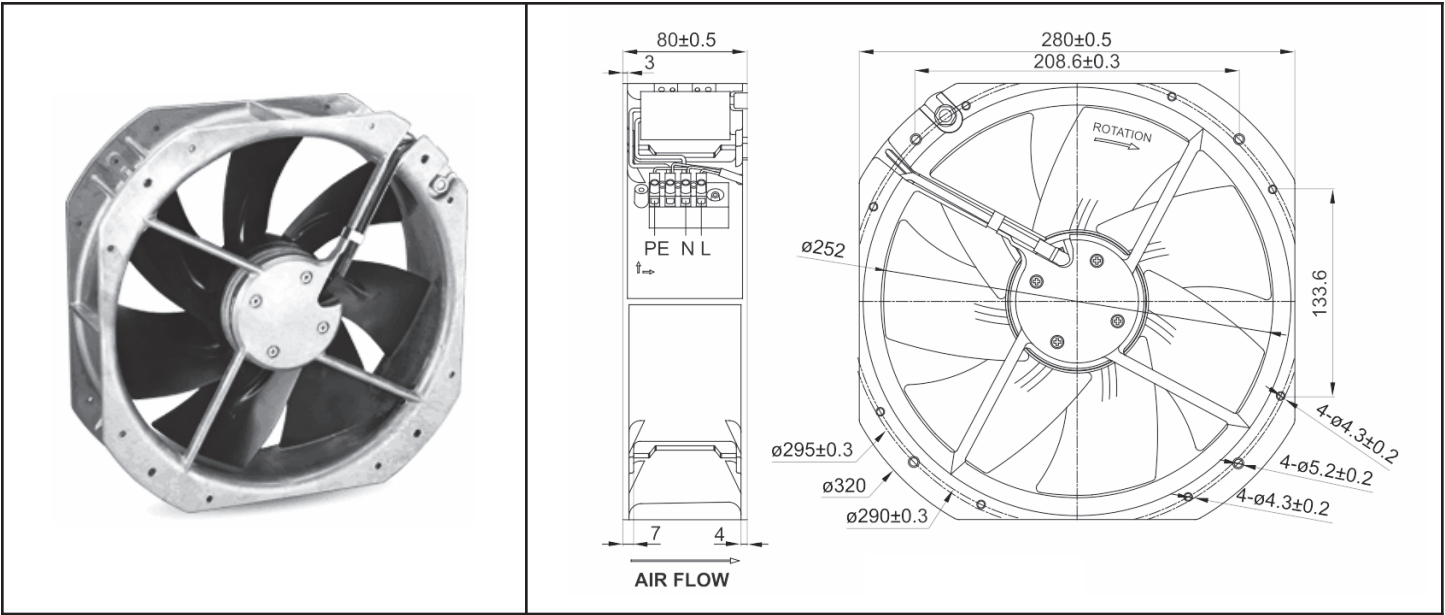


# OA280 Series



AC Fan - 115V, 230V  
280 x 80mm (11.0" x 3.15")



Frame	Diecast Aluminum	<u>Operating Temperature</u> Ball Bearing -40C ~ +80C Storage Temp -40C ~ +80C  <u>Life Expectancy</u> Ball Bearing 40,000 hours (L10 at 40C)  Environmental: IP55 Rated  Weight: ~ 6.2 lbs.	
Impeller	Metal		
Connection	Terminal Block, 18AWG		
Motor	Capacitor drive, thermally protected		
Bearing System	Dual ball		
Insulation	Class F		
Dielectric Strength	1 min at 1500 VAC, 50/60Hz		

Part Number	OA280AN-11-1TB18	OA280AN-22-1TB18
Nominal Voltage	115VAC	230VAC
Voltage Range	100 ~ 125VAC	200 ~ 240VAC
Rated Power	148 W	158 W
Nominal Current	1.5 A	0.82 A
Rated Speed (RPM)	2700	2700
Airflow (CFM)	1130	1130
Noise Level (dB)	70	70
Max. Static Pressure	0.78" H <sub>2</sub> O	0.78" H <sub>2</sub> O