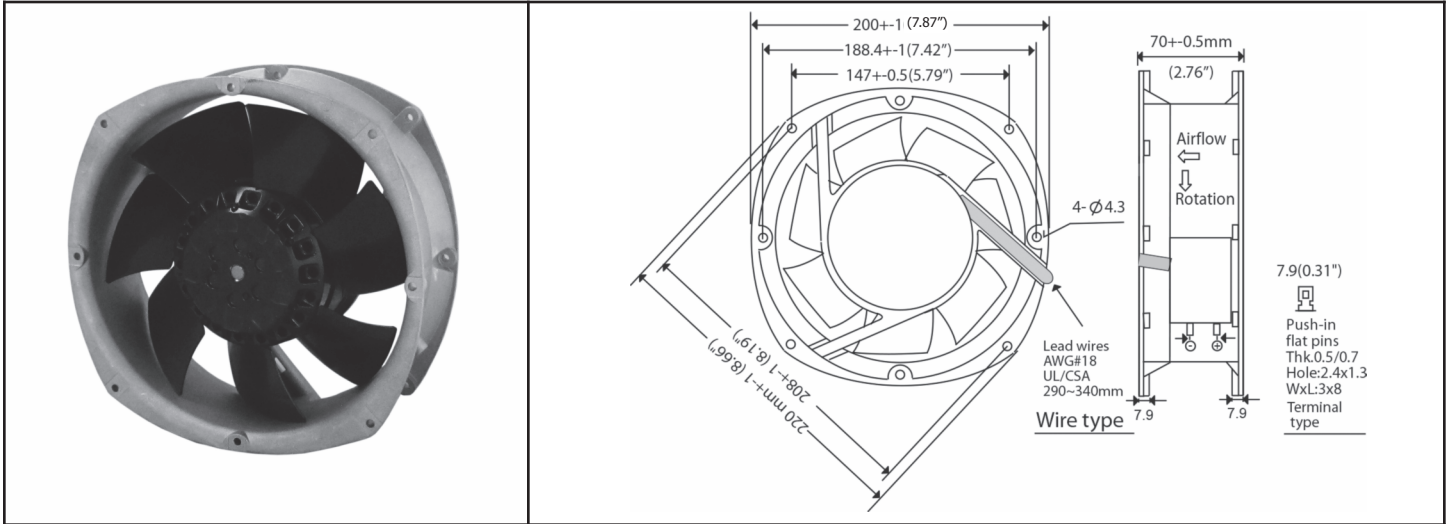


OA200AN Series - All Metal



AC Fan - 115V, 230V
200 x 220 x 70mm (7.8"x 8.7"x 2.8")



Frame	Diecast Aluminum	Operating Temperature Ball Bearing -30C ~ +80C (non-condensing) Storage Temp -40C ~ +100C	
Impeller	Metal Alloy		
Connection	2x Lead Wires 18 AWG or terminals		
Motor	AC Capacitor Inductance, thermally protected	Life Expectancy Ball Bearing 50,000 hours (L10 at 55C) Environmental Protection IP56	
Bearing System	Dual ball bearing	Weight: ~ 4.0 lbs	
Insulation Resistance	>100M ohm between lead-wire and frame (500VDC)		
Dielectric Strength	1 min at 1500 VAC, 50/60Hz	m0	

Model Number	Speed (RPM)	Airflow (CFM)	Noise (dB)	Volts AC	Voltage Range	Watts	Max. Static Pressure ("H ₂ O)	Curves
OA200AN-11-1 * 1856	2800 3300	430 485	68	115	100~120	95 105	0.82 0.93	2 (50Hz) 1 (60Hz)
OA200AN-11-2 * 1856	2400 2600	365 395	54	115	100~120	80 95	0.68 0.75	4 (50Hz) 3 (60Hz)
OA200AN-11-3 * 1856	1600 1500	245 230	43	115	100~120	32 40	0.46 0.42	6 (50Hz) 5 (60Hz)
OA200AN-22-1 * 1856	2800 3300	430 485	68	230	200~240	95 105	0.82 0.93	2 (50Hz) 1 (60Hz)
OA200AN-22-2 * 1856	2400 2600	365 395	54	230	200~240	80 95	0.68 0.75	4 (50Hz) 3 (60Hz)
OA200AN-22-3 * 1856	1600 1500	245 230	43	230	200~240	32 40	0.46 0.42	6 (50Hz) 5 (60Hz)

* Indicate "TB" for terminal type or "WB" for lead wires