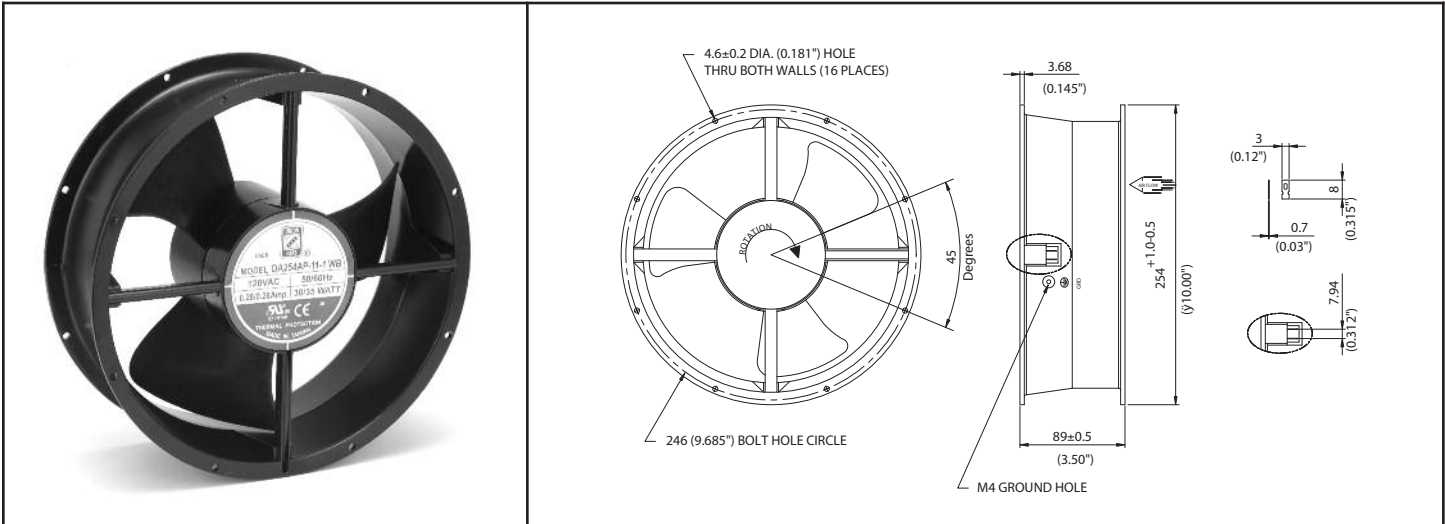


OA254 Series



254 x 89mm
(10.0" x 3.5")



Frame	Diecast Aluminum	<u>Operating Temperature</u> Ball Bearing -20C ~ +80C Storage Temp -40C ~ +80C <u>Life Expectancy</u> Ball Bearing 60,000 hours (L10 at 40C) Weight: ~ 4.2 lbs.	
Impeller	PBT, UL94V-O plastic		
Connection	2x Lead Wires or Terminals		
Motor	Capacitor drive, thermally protected		
Bearing System	Dual ball		
Insulation Resistance	>100M ohm between lead-wire and frame (500VDC)		
Dielectric Strength	1 min at 1500 VAC, 50/60Hz		

Part Number	OA254AP-11-1 *	OA254AP-22-1 *
Nominal Voltage	115VAC	230VAC
Voltage Range	80 ~ 130VAC	160 ~ 260VAC
Rated Power (50/60 Hz)	31/33 W - (0.30 / 0.29 A)	31/33 W - (0.14 / 0.14 A)
Rated Speed (50/60 Hz)	1400 / 1650	1400 / 1650
Airflow - CFM (50/60 Hz)	460 / 547	460 / 547
Noise Level - dB (50/60 Hz)	52 / 55	52 / 55
Max. Static Pressure (50/60 Hz)	0.32 / 0.39" H ₂ O	0.32 / 0.39" H ₂ O

* Indicate "TB" for terminal type or "WB" for Wire leads (300mm)