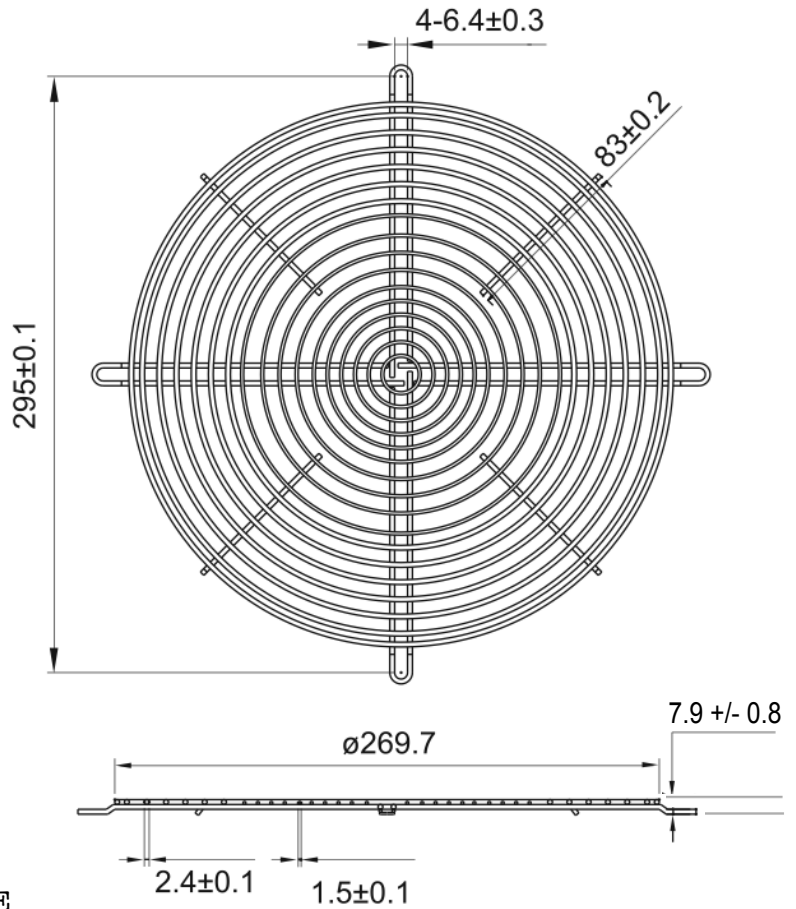
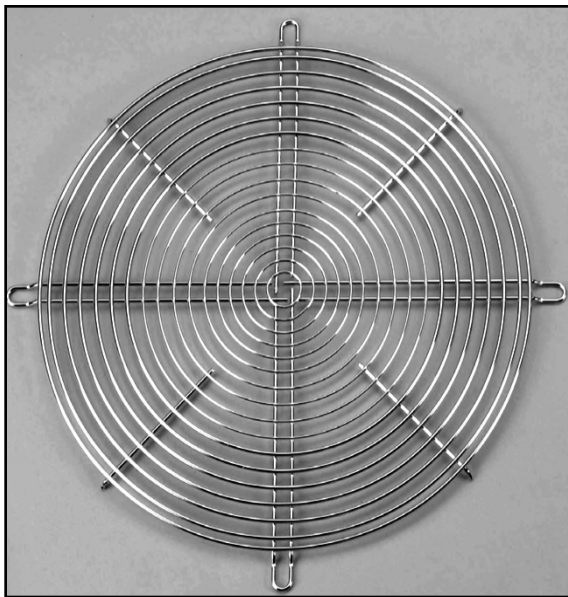


Part No. G280



Fan Guard for 280mm Fan



NOTES:

1. MATERIAL: STEEL WIRE
2. FINISH: BRIGHT NICKEL CHROME
3. WELDS TO WITHSTAND 88LBS PULL FORCE
4. GENERAL TOLERANCE UNLESS NOTED ± 0.5 MM
5. PART MEETS 6.35MM PLUG GAUGE TEST

Part Number	Description
G280	Fan guard, Chrome, for 280mm fan
G280/PK	10-Pack G280 guards, Boxed