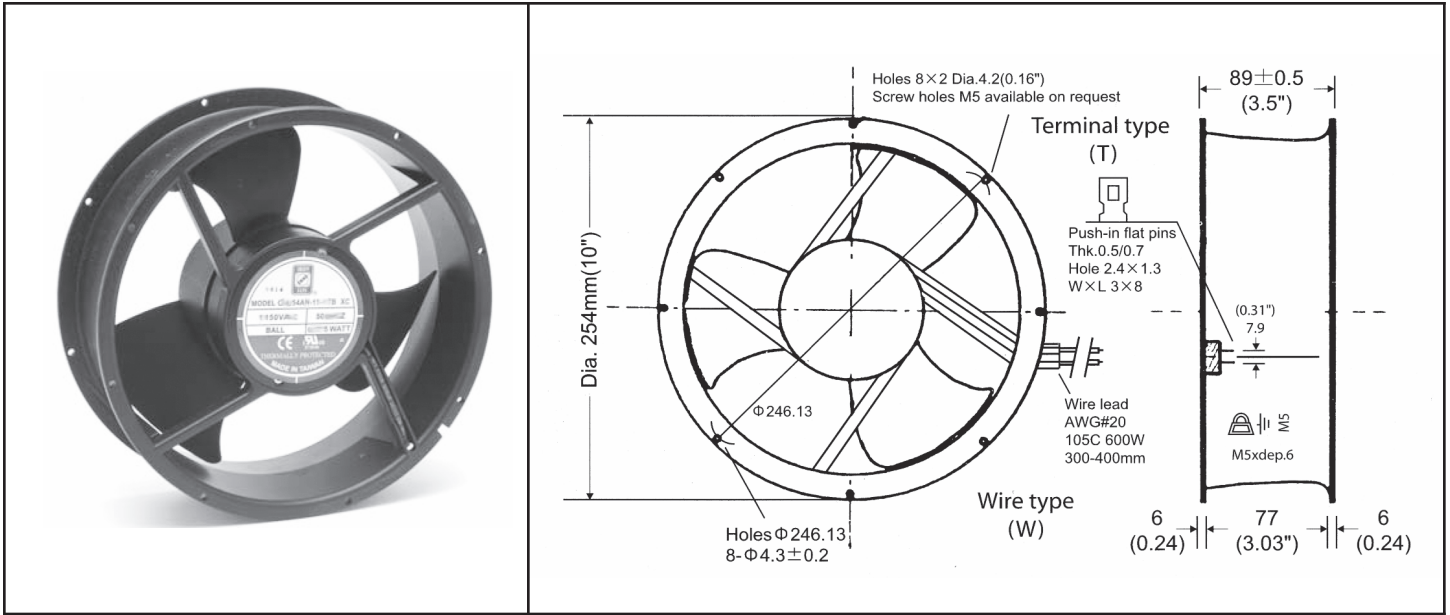


# OA254 'XC Series'



## AC Fan - 115V, 230V High Performance 254 x 89mm (10.0" x 3.5")



<b>Frame</b>	Diecast Aluminum	<b>Operating Temperature</b> Ball Bearing -20C ~ +80C Storage Temp -40C ~ +80C  <b>Life Expectancy</b> Ball Bearing 60,000 hours (L10 at 40C)  Weight: ~ 5.4 lbs.	
<b>Impeller</b>	PBT, UL94V-0 plastic		
<b>Connection</b>	2x Lead Wires or Terminals		
<b>Motor</b>	Capacitor drive, thermally protected		
<b>Bearing System</b>	Dual ball		
<b>Insulation Resistance</b>	>100M ohm between lead-wire and frame (500VDC)		
<b>Dielectric Strength</b>	1 min at 1500 VAC, 50/60Hz		

Model Number	Speed (RPM)	Airflow (CFM)	Noise (dB)	Volts AC	Voltage Range	Watts	Max. Static Pressure (\"H <sub>2</sub> O)
OA254AN-11-1 * XC	2700	850	69	115	80~130	75	0.78
OA254AN-11-1 *	2200	700	65	115	80~130	70	0.53
OA254AN-11-2 *	2000	600	55	115	80~130	45	0.45
OA254AN-11-3 *	1100	320	48	115	80~130	32	0.14
OA254AN-22-1 * XC	2700	850	69	230	160~260	75	0.78
OA254AN-22-1 *	2200	700	65	230	160~260	70	0.53
OA254AN-22-2 *	2000	600	55	230	160~260	45	0.45
OA254AN-22-3 *	1100	320	48	230	160~260	32	0.14

\* Indicate "TB" for terminal type or "WB" for Wire leads (300mm)