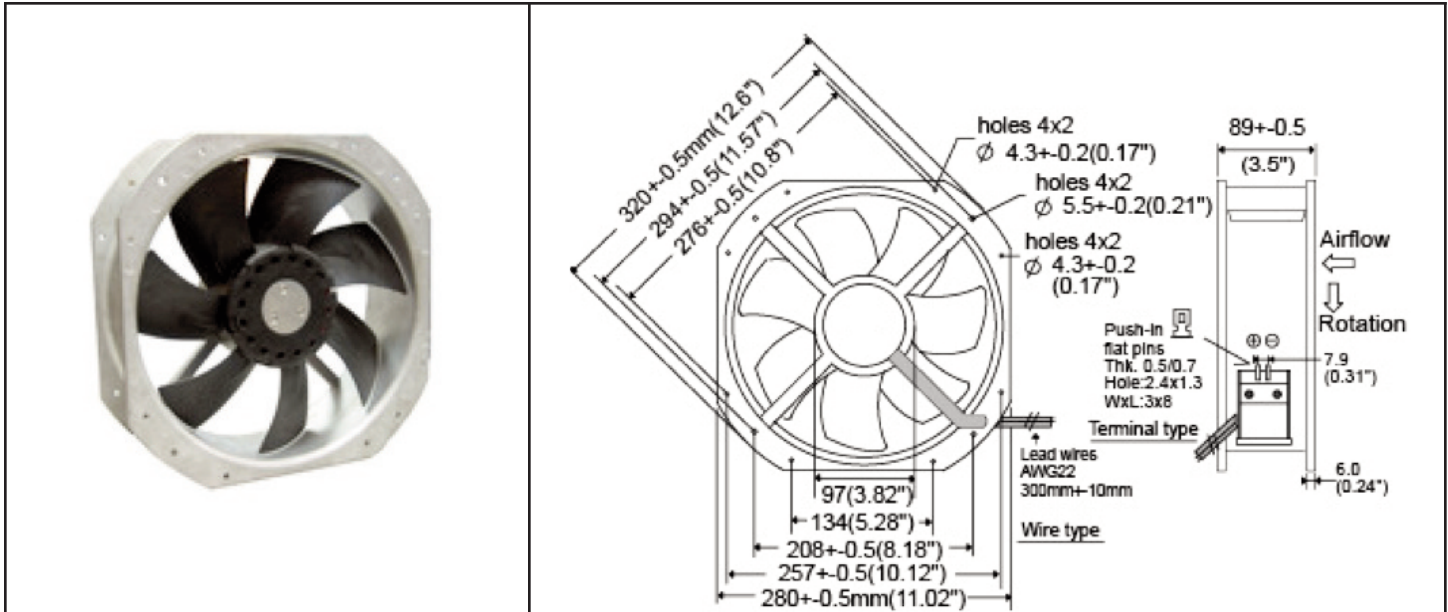


OD280 Series



DC Fan - 12, 24, 48V
280x89mm (11.0"x 3.5")



Frame	Diecast Aluminum	Available Options: PWM Tachometer Alarm Thermistor Operating Temperature Ball Bearing -15C ~ +65C Life Expectancy Ball Bearing 85,000 hours (L10 at 35C) Weight: ~6.8 lbs. m0	
Impeller	Glass Fiber reinforced thermoplastic.		
Connection	Terminals or lead wires		
Motor	Programmable microprocessor control Brushless DC, Locked rotor and polarity protected.		
Bearing System	Dual ball		
Storage Temperature	-25 ~ +80C		
Dielectric Strength	1 minute at 500 VAC, max leakage < 500 MicroAmp		

Model Number	Speed (RPM)	Airflow (CFM)	Noise (dB)	Volts DC	Voltage Range	Watts	Max. Static Pressure (\"H2O)
OD280AN-12M*	2200	1060	56	12	9 ~ 13.5	90	0.65
OD280AN-12L*	1800	870	48	12	9 ~ 13.5	50	0.55
OD280AN-24H*	2550	1200	72	24	18 ~ 27	104	0.90
OD280AN-24M*	2200	1060	56	24	18 ~ 27	60	0.65
OD280AN-24L*	1800	870	48	24	18 ~ 27	27	0.55
OD280AN-48H*	2550	1200	72	48	24 ~ 55	104	0.90
OD280AN-48M*	2200	1060	56	48	24 ~ 55	60	0.65
OD280AN-48L*	1800	870	48	48	24 ~ 55	27	0.55

* Indicate "B" for Wire leads or "TB" for Terminals