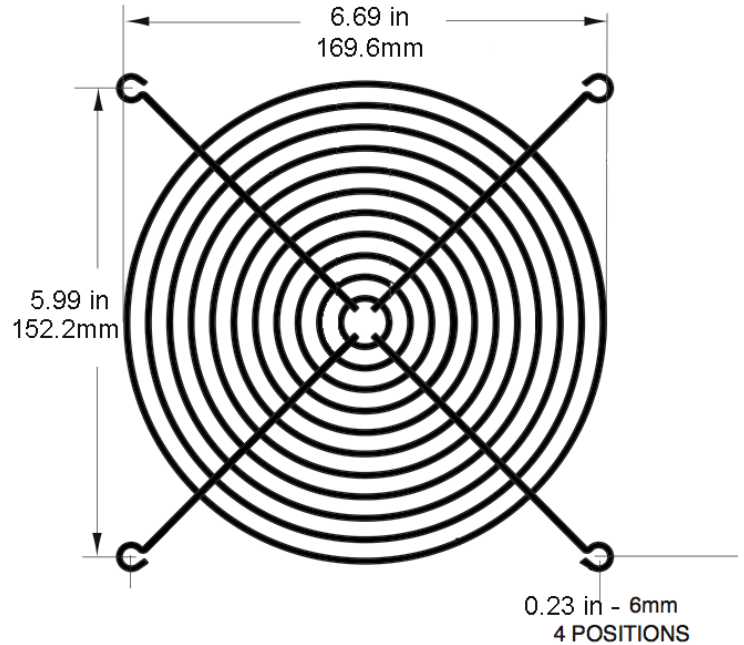


Part No. G180-11



Fan Guard for 180mm Fan



NOTES:

1. MATERIAL:C1008 BRIGHT BASIC WIRE
2. FINISH:BRIGHT NICKEL CHROME
3. RINGS: 1.8MM DIA / RIBS: 3.3MM DIA
4. WELDS TO WITHSTAND 88LBS PULL FORCE
5. GENERAL TOLERANCE UNLESS NOTED +/-0.5MM
6. PART MEETS 6.35MM PLUG GAUGE TEST
7. UNIT: MM

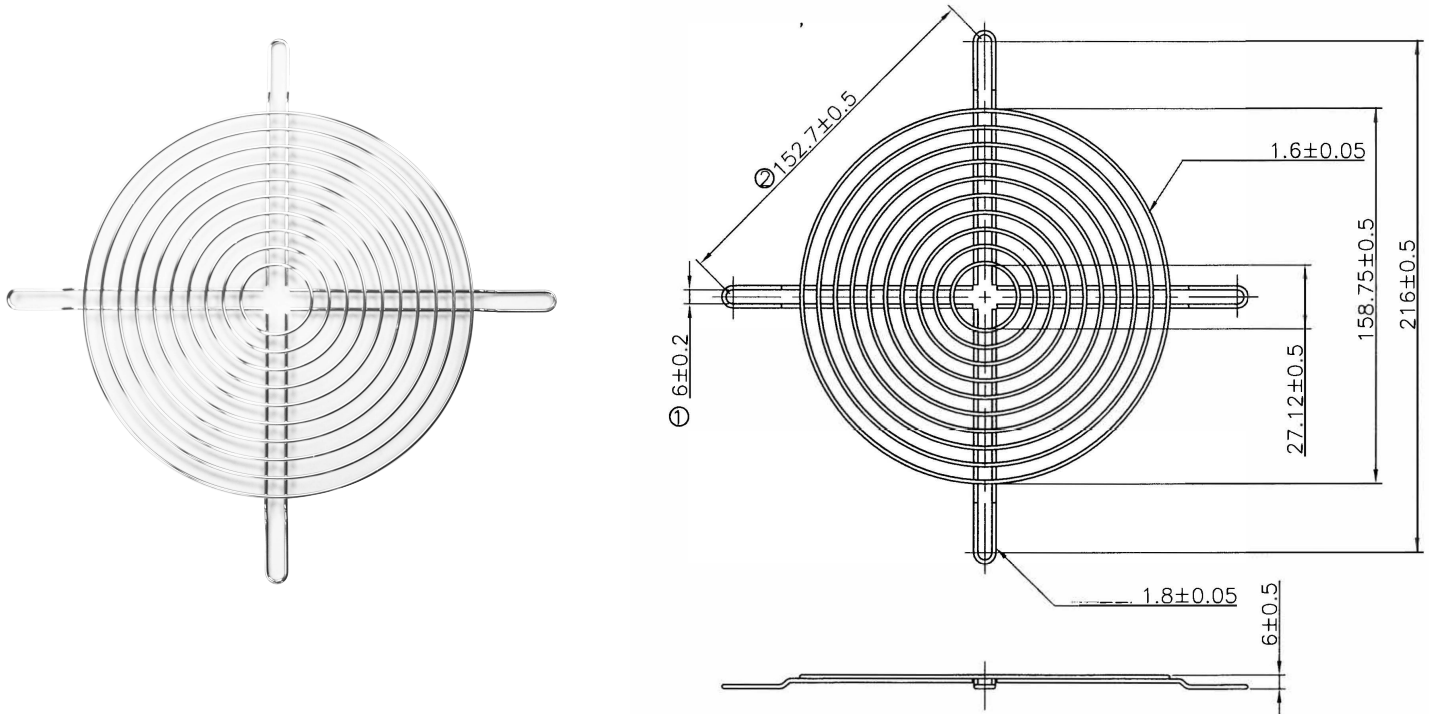


| Part Number | Description |
|-------------|------------------------|
| G180-11 | 180mm fan guard, metal |
| G180-11/PK | 10-Pack G180-11, Boxed |

Part No. G180-MG18



Fan Guard for
180mm Fan



NOTES:

1. MATERIAL: C1008 BRIGHT BASIC WIRE
2. FINISH: BRIGHT NICKEL CHROME
3. RINGS: 1.8MM DIA / RIBS: 3.3MM DIA
4. WELDS TO WITHSTAND 88LBS PULL FORCE
5. GENERAL TOLERANCE UNLESS NOTED +/-0.5MM
6. PART MEETS 6.35MM PLUG GAUGE TEST
7. UNIT: MM

| Part Number | Description |
|--------------|--------------------------|
| G180-MG18 | 180mm fan guard, metal |
| G180-MG18/PK | 10-Pack G180-MG18, Boxed |