

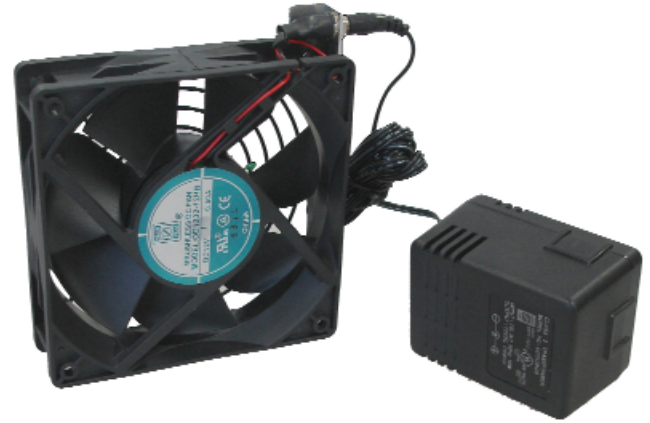
Spot Cooling



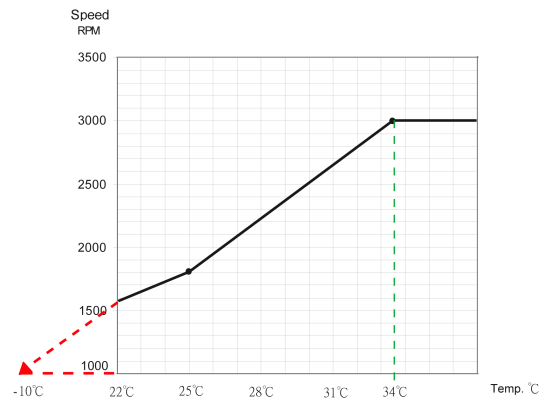
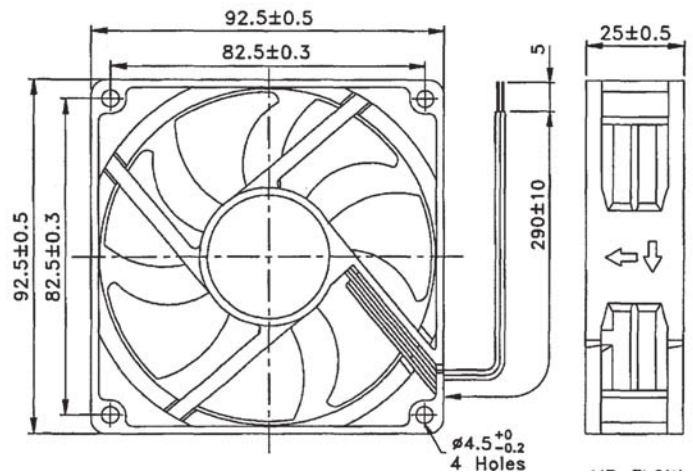
Extend the Life
of Your Equipment

OD9225-SPOT - Instant smart cooling for small spaces

92x25mm thermally controlled fan.



Spot Cooler Kit	OD9225-SPOT Part Number - 193141791 Includes: 92x25mm Fan * 1 fan guard Power adapter with 6' cord
Fan ID	OD9225-12HB03
VOLTAGE INPUT	120VAC / 60Hz
INPUT POWER	19 Watts
DC Nominal Current	0.29 A
DC Locked Current	0.31 A
Rated Speed (RPM)	1500 RPM @22C 3000 RPM @34C
Airflow	25CFM @22C / 50CFM @34C
Noise Level (dB)	23/35
Max. Static Pressure	0.18" H ₂ O
Bearing System	Dual Ball
Frame & Impeller	PBT, UL94V-O plastic
Motor	Brushless DC, auto restart, polarity protected.
Bearing System	Dual ball bearing
Insulation Resistance	10M ohm between leadwire and frame (500VDC)
Dielectric Strength	1 second at 500 VAC, max leakage - 500 MicroAmp
Operation Temperature	-10C ~ +70C
Life (L10)	60,000 hours @ 40c



Patent Pending