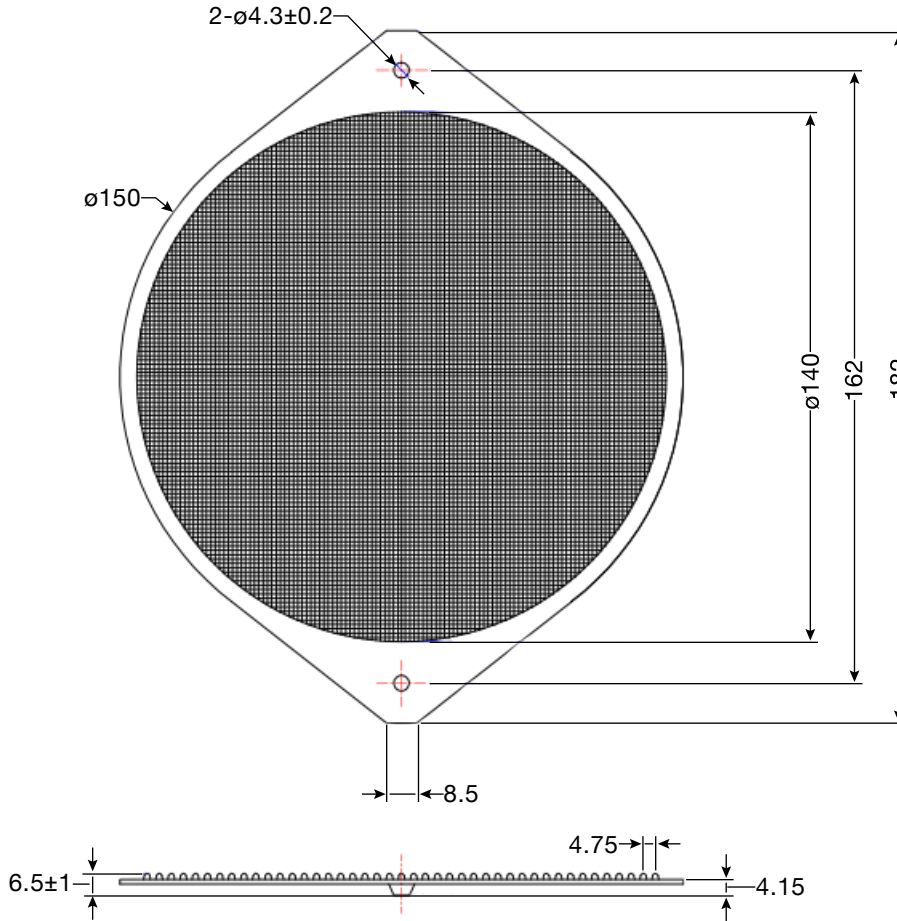


Part Nos. WMG172M,
WMG172B



Wire Mesh Guard for
172mm Fan



Aluminum/Stainless filters offer high levels of air passage while efficiently filtering contaminants and shielding EMI/RFI.

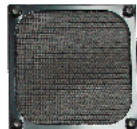
Tightly woven stainless corrugated mesh screen
(30x30, 3/16" Pitch, 1/8" Deep)

Filters may be mounted directly onto the fan or to any other housing.

Finishes:
Mill - Natural Aluminum
(suffix "M")



Black Anodized
(suffix "B")



Part No.	Description
WMG172M	Aluminum Fan Filter, mill finish
WMG172B	Aluminum Fan Filter, black finish
WMG172M/PK	10-pack mill finish Aluminum filter, boxed
WMG172B/PK	10-pack black Aluminum filter, boxed