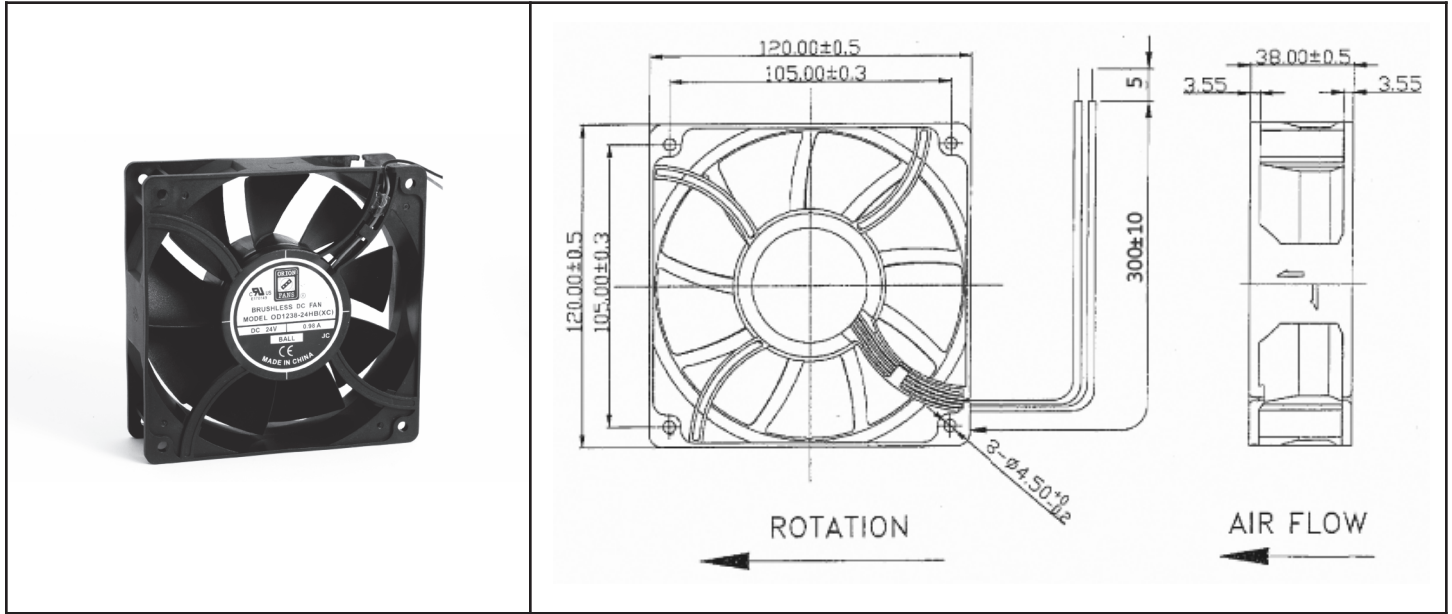


# OD1238 XC Series



High Performance DC Fan 12, 24, 48V  
120x38mm (4.7"x 1.5")



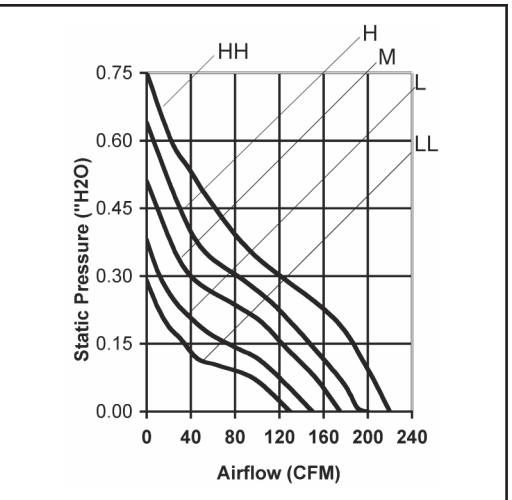
|                       |   |
|-----------------------|---|
| Frame & Impeller      | PBT, UL94V-0 plastic                            |
| Connection            | 2x Lead wires 24AWG                             |
| Motor                 | Brushless DC, auto restart, polarity protected  |
| Bearing System        | Dual ball bearing                               |
| Insulation Resistance | 10M ohm between leadwire and frame (500VDC)     |
| Dielectric Strength   | 1 minute at 500 VAC, max leakage < 500 MicroAmp |
| Temperature Range     | -10C ~ 70C                                      |
| Storage Temperature   | -40C ~ +80C                                     |

**Available Options:**  
Tachometer  
Alarm  
Thermal Speed Control  
PWM  
IP55

Life Expectancy (L10)  
65,000 hours (45C)

Weight: ~0.74 lbs

m1



| Model Number    | Speed (RPM) | Airflow (CFM) | Noise (dB) | Volts DC | Input Power (Watts) | Amps | Max. Static Pressure (\"H2O) |
|-----------------|-------------|---------------|------------|----------|---------------------|------|------------------------------|
| OD1238-12HB-XC  | 4300        | 200           | 61         | 12       | 23                  | 1.95 | 0.64                         |
| OD1238-12MB-XC  | 3800        | 175           | 57         | 12       | 18                  | 1.50 | 0.51                         |
| OD1238-12LB-XC  | 3200        | 150           | 52         | 12       | 10                  | 0.87 | 0.38                         |
| OD1238-24HB-XC  | 4300        | 200           | 61         | 24       | 19                  | 0.98 | 0.64                         |
| OD1238-24MB-XC  | 3800        | 175           | 57         | 24       | 16                  | 0.68 | 0.51                         |
| OD1238-24LB-XC  | 3200        | 150           | 52         | 24       | 9                   | 0.42 | 0.38                         |
| OD1238-24LLB-XC | 2800        | 130           | 48         | 24       | 7                   | 0.30 | 0.29                         |
| OD1238-48HHB-XC | 4700        | 220           | 63         | 48       | 32                  | 0.68 | 0.75                         |
| OD1238-48HB-XC  | 4300        | 200           | 61         | 48       | 25                  | 0.52 | 0.64                         |
| OD1238-48MB-XC  | 3800        | 175           | 57         | 48       | 17                  | 0.36 | 0.51                         |
| OD1238-48LB-XC  | 3200        | 150           | 52         | 48       | 11                  | 0.22 | 0.38                         |
| OD1238-48LLB-XC | 2800        | 130           | 48         | 48       | 9                   | 0.18 | 0.29                         |