

SERIES 70 VALVES

VALVES

SERIES 70 VALVES

This is Metal Work's full range. Available in three sizes: 1/8", 1/4", 3/8", 1/2". Three versions: 3/2; 5/2; 5/3, four different types of actuation (mechanical, manual, pneumatic and electric).

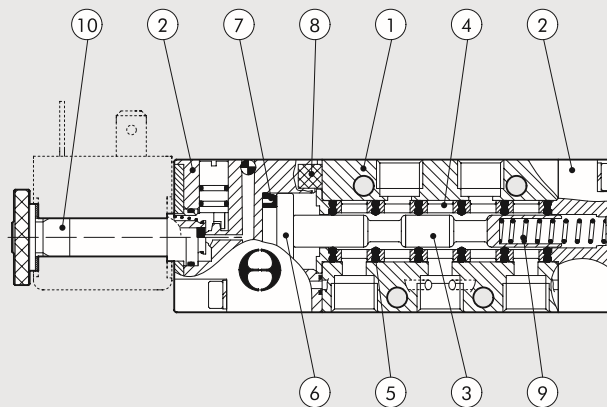
Series 70 valves can be used for a wide range of applications as they can be mounted in line, on the wall, on the cylinder using a special bracket, or in series on a multiple or manifold base.



TECHNICAL DATA	1/8" NPT	1/4" NPT	3/8" NPT	1/2" NPT	
Thread on the valve ports	1/8" NPT	1/4" NPT	3/8" NPT	1/2" NPT	
Operating pressure:					
• monostable	psi	36.3 to 145			
• bistable	psi	14.5 to 145			
• asserved	psi	vacuum to 145			
Minimum pilot pressure	psi	36.3			
Operating temperature range	°F	14 to +140			
Nominal diameter	in	0.20	0.30	0.52	0.59
Conductance C	scfm/psi	0.30	0.65	1.23	2.37
Critical ratio b	psi/psi	0.32	0.27	0.32	0.43
Flow rate at 87 psi ΔP 7.25 psi	scfm	14	26.5	55.2	113
Flow rate at 87 psi ΔP 14.5 psi	scfm	19.5 Cv 0.55	39 Cv 1.1	75 Cv 2.1	163 Cv 4.6
Installation	In any position (vertical assembly is not recommended for bistable valves subjected to vibration)				
Fluid	Filtered air without lubrication; lubrication, if used, must be continuous				
Recommended lubricant	ISO and UNI FD 22				
Maximum coil nut torque	lbf ft	0.74			
Compatibility with oils	Please refer to page 5-4 of the technical documentation				

COMPONENTS

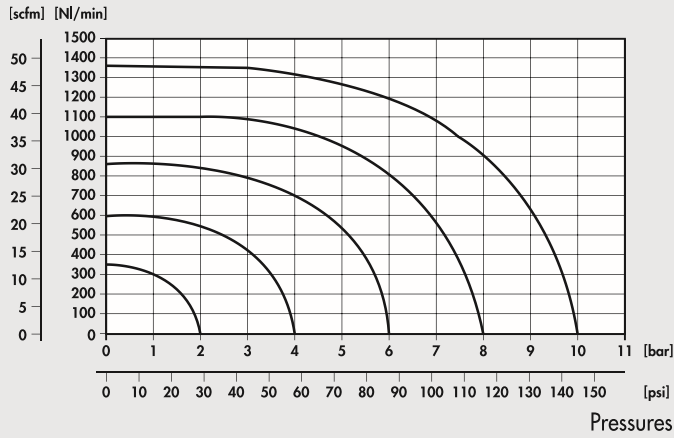
- ① VALVE BODY: Aluminium
- ② CONTROL/END CAP: plastic
- ③ SPOOL: chemically nickel-plated aluminium
- ④ DISTANCE PLATES: plastic
- ⑤ GASKETS: NBR
- ⑥ PISTONS: Hostaform®
- ⑦ PISTON GASKET: NBR
- ⑧ FILTER: sintered bronze
- ⑨ SPRINGS: special steel
- ⑩ OPERATOR: Brass pipe - Stainless steel core



FLOW CHARTS

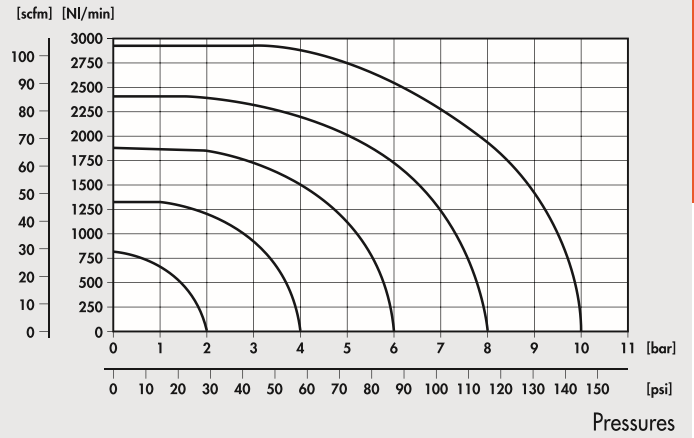
VALVES SERIES 70, 1/8"

Flow rates



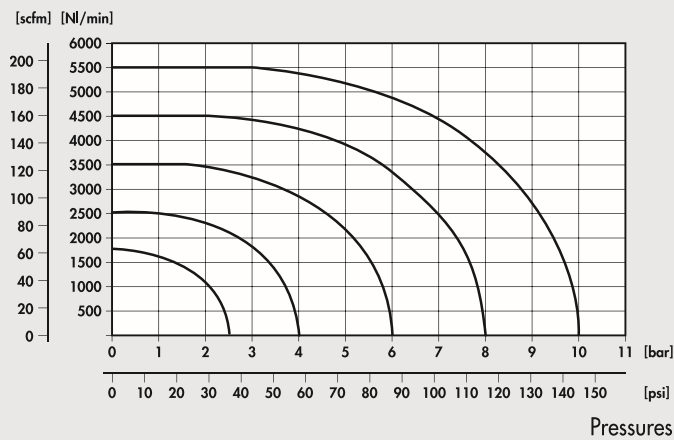
VALVES SERIES 70, 1/4"

Flow rates



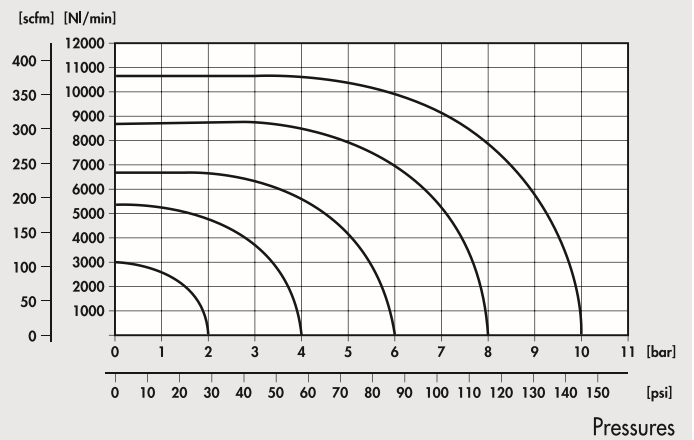
VALVES SERIES 70, 3/8"

Flow rates



VALVES SERIES 70, 1/2"

Flow rates



NOTES

Blank area for notes.

SERIES 70 VALVES, HAND OPERATED

TECHNICAL DATA		1/8" NPT	1/4" NPT	1/2" NPT
Operating pressure range:				
• version with direct control	psi	Vacuum to 145		
• pilot-assisted version	psi	36.3 to 145		
Operating temperature range		°F 14 to + 140		
Nominal diameter		in 0.20	0.30	0.59
Conductance C		scfm/psi 0.30	0.65	2.37
Critical ratio b		psi/psi 0.32	0.27	0.43
Flow rate at 87 psi ΔP 7.25 psi		scfm 14	26.5	113
Flow rate at 87 psi ΔP 14.5 psi		scfm 19.5	39	163
		Cv 0.55	Cv 1.1	Cv 4.6

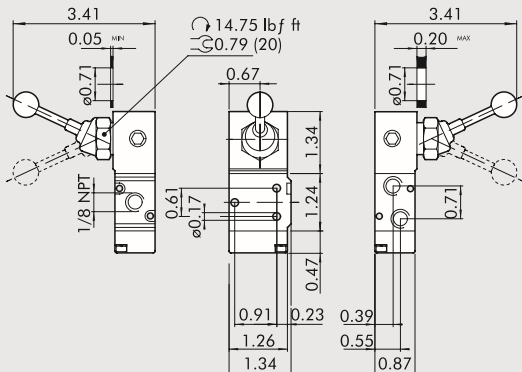


KEY TO CODES

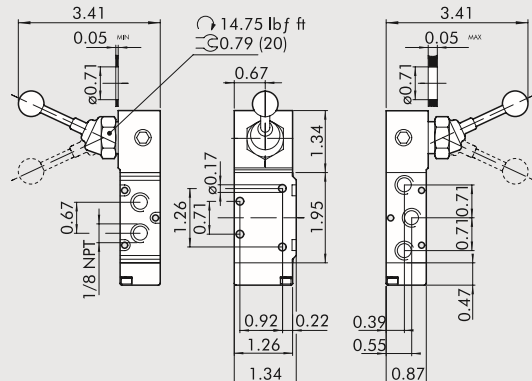
M A V	2	3	P P	S	N C	U
FAMILY	DIMENSIONS	FUNCTION	OPERATORS 14	RESETTING (12)	FURTHER DETAILS	THREAD
MAV manual valves	2 1/8" 3 1/4" 4 1/2"	3 3/2 5 5/2 6 5/3 8 2 x 3/2	PP drawer VL axial lever LE 90° lever BRE arranged for manual panel actuators	A pneumatic/mechanical springs* S mechanical springs B bistable D differential O stable for 5/3	NC normally closed NO normally open OO no indication CC closed centres OC open centres PC pressure centres	U NPT
				*on demand		

VALVES SERIES 70, HAND OPERATED, 1/8" NPT

90° LEVER 3/2 1/8" NPT



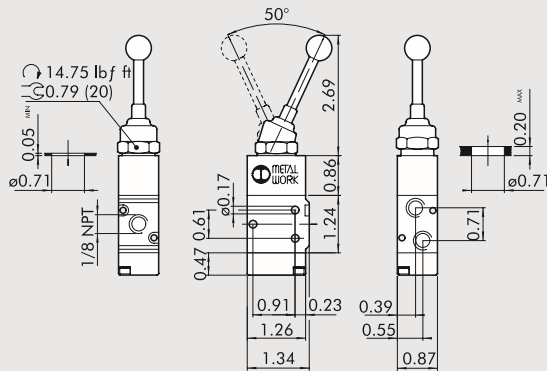
90° LEVER 3/2 1/8" NPT



Symbol	Code	Abbrev.	Weight [lb]
	7010000100U	MAV 23 LES NC U	0.370
	7010000200U	MAV 23 LEB OO U	0.377

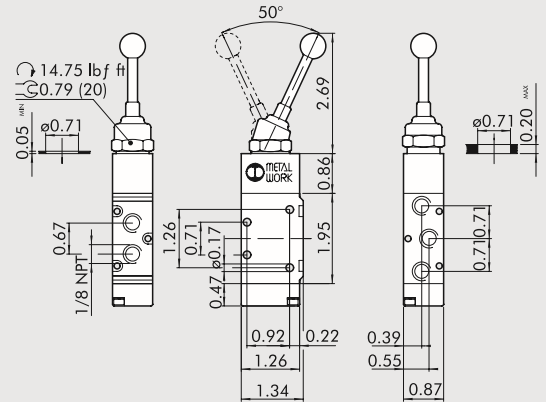
Symbol	Code	Abbrev.	Weight [lb]
	7010000300U	MAV 25 LES OO U	0.427
	7010000400U	MAV 25 LEB OO U	0.432

FRONT LEVER 3/2, 1/8" NPT



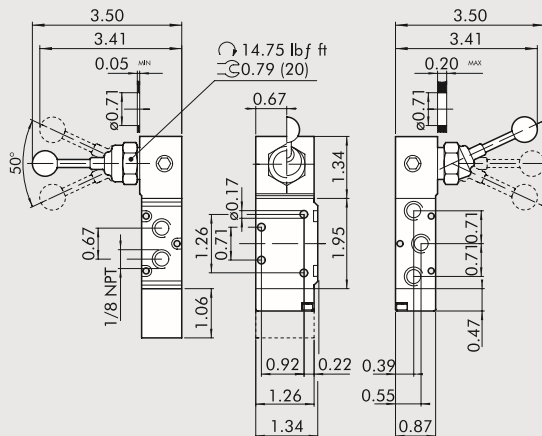
Symbol	Code	Abbrev.	Weight [lb]
	7010001400U	MAV 23 VLB OO U	0.287

FRONT LEVER 5/2, 1/8" NPT



Symbol	Code	Abbrev.	Weight [lb]
	7010001700U	MAV 25 VLB OO U	0.344

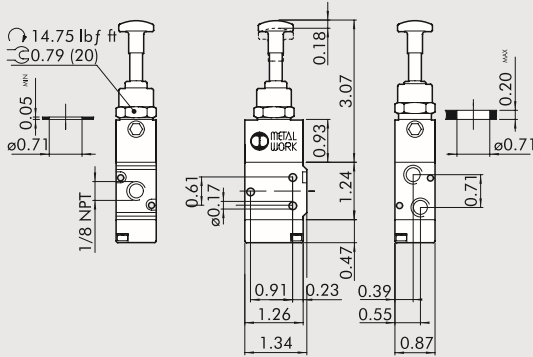
ANGULAR LEVER 5/3, 1/8" NPT



Symbol	Code	Abbrev.	Weight [lb]
	7010001000U	MAV 26 LES CC U	0.534
	7010000900U	MAV 26 LES OC U	0.534
	7010001100U	MAV 26 LES PC U	0.534
	7010000500U	MAV 26 LEO CC U	0.428
	7010000600U	MAV 26 LEO OC U	0.428
	7010000700U	MAV 26 LEO PC U	0.428

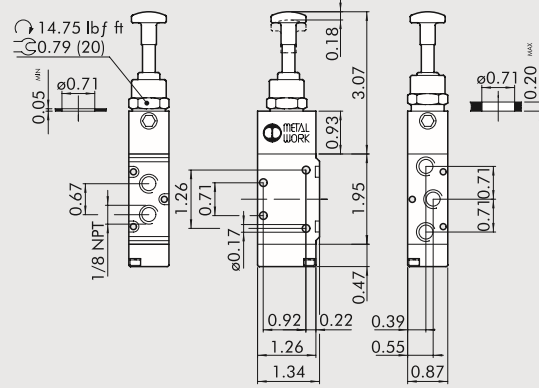
NOTES

DRAWER 3/2, 1/8" NPT



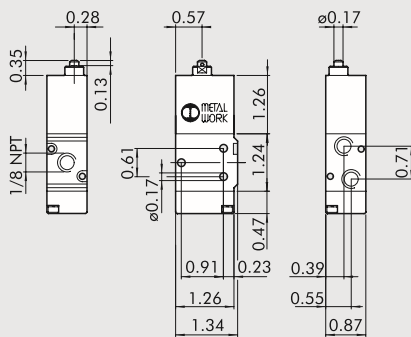
Symbol	Code	Abbrev.	Weight [lb]
	7010001300U	MAV 23 PPB OO U	0.296
	7010001200U	MAV 23 PPS NC U	0.296

DRAWER 5/2, 1/8" NPT



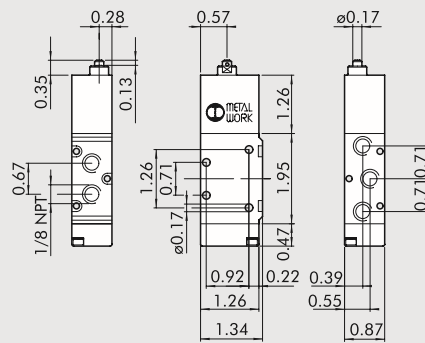
Symbol	Code	Abbrev.	Weight [lb]
	7010001600U	MAV 25 PPB OO U	0.353
	7010001500U	MAV 25 PPS OO U	0.353

PILOT-ASSISTED PLUNGER 3/2 1/8" NPT FOR PANEL ACTUATORS

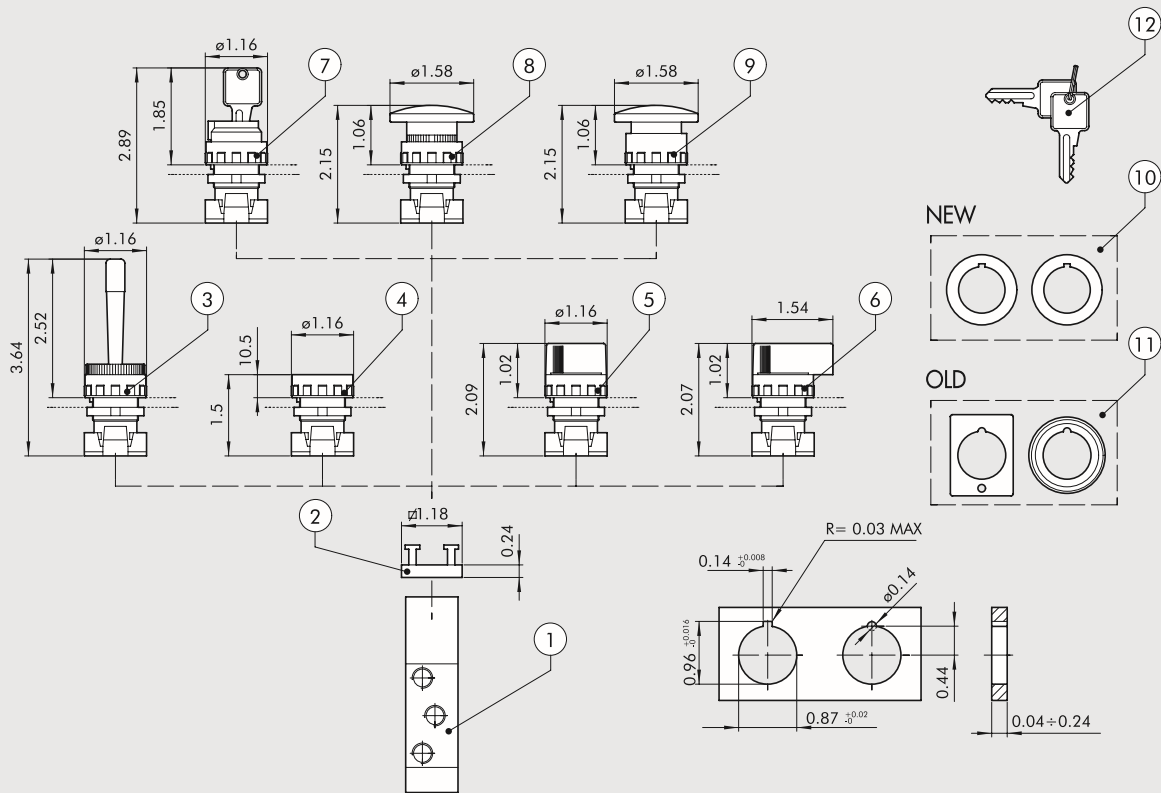


Symbol	Code	Abbrev.	Weight [lb]
	7010001800U	MAV 23 BRE NC U	0.273

PILOT-ASSISTED PLUNGER 5/2 1/8" NPT FOR PANEL ACTUATORS



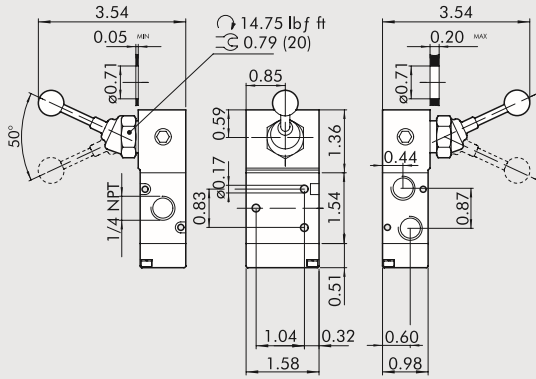
Symbol	Code	Abbrev.	Weight [lb]
	7010001900U	MAV 25 BRE OO U	0.331

ASSEMBLY DIAGRAM FOR PILOT-ASSISTED HAND-OPERATED VALVES SERIES 70 WITH PANEL ACTUATORS

ORDERING CODES

Symbol	Reference	Code	Abbrev.	Description	Weight [lb]
	①	7010001800U	MAV 23 BRE NC U	Pilot-assisted plunger 3/2, 1/8" NPT	0.273
	①	7010001900U	MAV 25 BRE OO U	Pilot-assisted plunger 5/2, 1/8" NPT	0.331
	②	0351000050		2 places adaptor thickness 6.8 mm	0.015
	③	W0351000015		Red handler with horizontally pivoted lever	0.055
	④	W0351000011		Fat push button + 2 red/black coloured disks ◆ Bistable fat push button without disk	0.033
	⑤	W0351000030		Black selector short lever at 2 positions with return	0.044
		W0351000031		Black selector short lever at 2 positions	0.044
	⑤	W0351000032		Black selector short lever at 3 positions with return	0.044
		W0351000033		Black selector short lever at 3 positions	0.044
	⑥	W0351000034		Black selector long lever at 2 positions with return	0.057
		W0351000035		Black selector long lever at 2 positions	0.057
	⑥	W0351000036		Black selector long lever at 3 positions with return	0.057
		W0351000037		Black selector long lever at 3 positions	0.057
	⑦	W0351000016		2 positions key selector with extractable key in 2 positions	0.110
		W0351000018		2 positions key selector with extractable key in 0	0.110
	⑧	W0351000013		Red mushroom-head push button Ø 40 mm	0.060
		W0351000017		Black mushroom-head push button Ø 40 mm	0.060
	⑨	W0351000014		Red mushroom-head push button with lock Ø 40 mm	0.064
◆ It can't be supplied. As working replaced by selector with bistable short lever at 2 positions ⑤.	⑩	W0351000049		✚ Reducer from 30 to 22.5 mm	
✚ Usable only with technopolymer body selectors.	⑪	W0351000050		▲ Adapter for bore Ø 30 mm G2326	
▲ Usable only with metal body selectors.	⑫	W0351000021		✚ Key for ESC selectors	
		W0351000056		Green disk for push button ④	

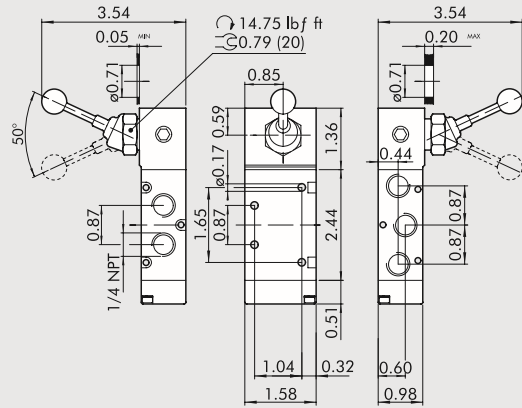
VALVES SERIES 70, HAND-OPERATED, 1/4" NPT

90° LEVER 3/2, 1/4" NPT



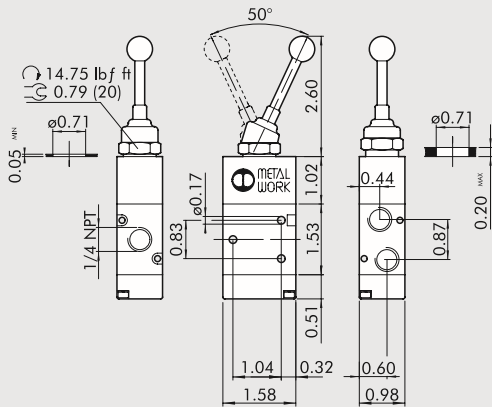
Symbol	Code	Abbrev.	Weight [lb]
	7020000100U	MAV 33 LES NC U	0.538
	7020000200U	MAV 33 LEB OO U	0.538

90° LEVER 5/2, 1/4" NPT



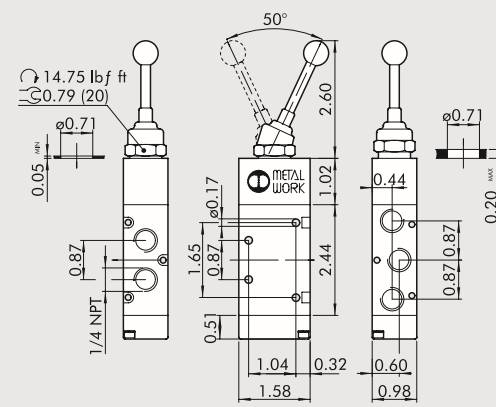
Symbol	Code	Abbrev.	Weight [lb]
	7020000300U	MAV 35 LES OO U	0.640
	7020000400U	MAV 35 LEB OO U	0.640

FRONT LEVER 3/2, 1/4" NPT



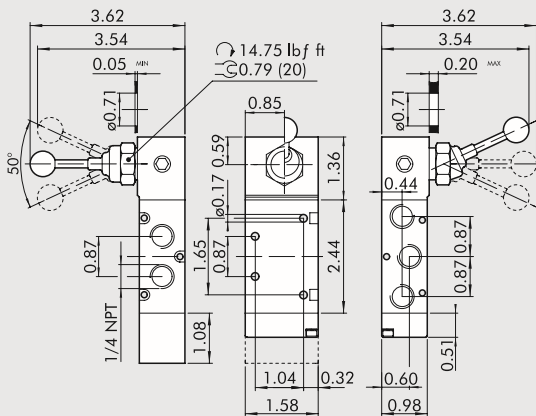
Symbol	Code	Abbrev.	Weight [lb]
	7020001400U	MAV 33 VLB OO U	0.428

FRONT LEVER 5/2, 1/4" NPT



Symbol	Code	Abbrev.	Weight [lb]
	7020001700U	MAV 35 VLB OO U	0.538

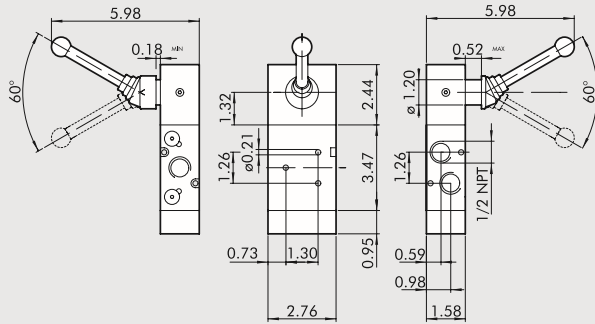
90° LEVER 5/3, 1/4" NPT



Symbol	Code	Abbrev.	Weight [lb]
	7020001000U	MAV 36 LES CC U	0.781
	7020000900U	MAV 36 LES OC U	0.781
	7020001100U	MAV 36 LES PC U	0.781
	7020000500U	MAV 36 LEO CC U	0.635
	7020000600U	MAV 36 LEO OC U	0.635
	7020000700U	MAV 36 LEO PC U	0.635

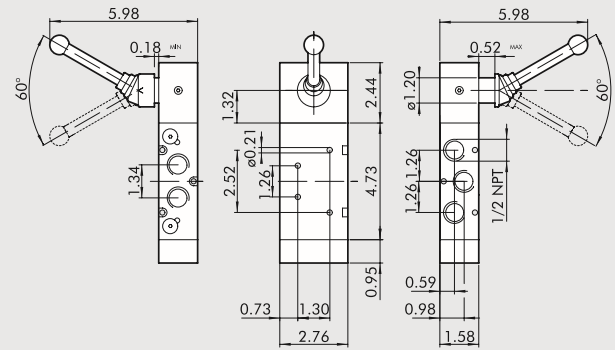
VALVES SERIES 70, HAND OPERATED, 1/2" NPT

90° LEVER 3/2, 1/2" NPT



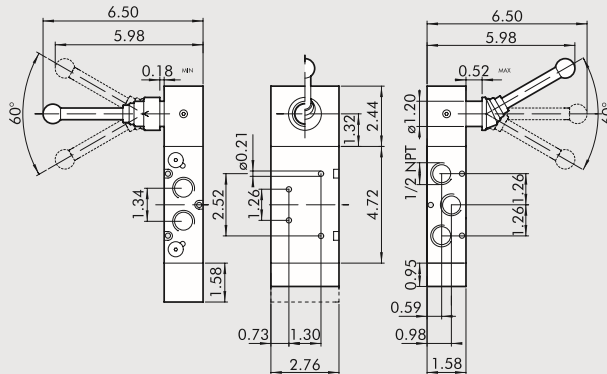
Symbol	Code	Abbrev.	Weight [lb]
	7030000100U	MAV 43 LES NC U	3.182
	7030000200U	MAV 43 LEB OO U	3.164

90° LEVER 5/2, 1/2" NPT



Symbol	Code	Abbrev.	Weight [lb]
	7030000300U	MAV 45 LES OO U	3.502
	7030000400U	MAV 45 LEB OO U	3.594

90° LEVER 5/3, 1/2" NPT



Symbol	Code	Abbrev.	Weight [lb]
	7030001000U	MAV 46 LES CC U	3.991
	7030000900U	MAV 46 LES OC U	3.969
	7030001100U	MAV 46 LES PC U	3.969
	7030000500U	MAV 46 LEO CC U	3.561
	7030000600U	MAV 46 LEO OC U	3.539
	7030000700U	MAV 46 LEO PC U	3.539

NOTES

VALVES SERIES 70, MECHANICALLY OPERATED, 1/8" NPT

TECHNICAL DATA

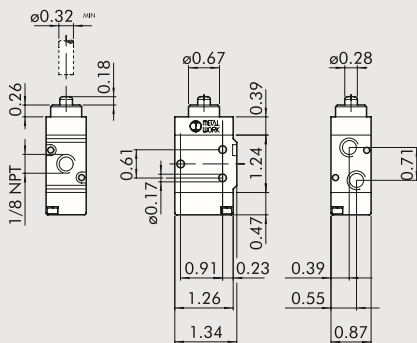
Thread at valve ports		1/8" NPT
Operation force at 87 psi:		
• version with direct control	lbf	11.2
• pilot-assisted version	lbf	1.35
Operating pressure:		
• version with direct control	psi	Vacuum to 145
• pilot-assisted version	psi	36.3 to 145
Operating temperature range	°F	14 to + 140
Nominal diameter	in	0.20
Conductance C	scfm/psi	0.30
Critical ratio b	psi/psi	0.32
Flow rate at 87 psi ΔP 7.25 psi	scfm	14
Flow rate at 87 psi ΔP 14.5 psi	scfm	19.5 Cv 5.5



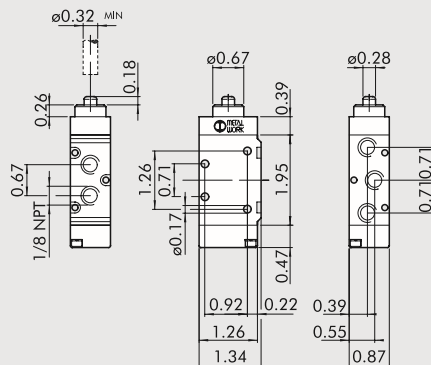
KEY TO CODES

MEV	2	3	T A	S	N C	U
FAMILY	DIMENSIONS	FUNCTION	OPERATORS 14	RESETTING (12)	FURTHER DETAILS	THREAD
MEV mechanically-operated valves	2 1/8"	3 3/2 5 5/2	TA plunger BR bidirectional roller UR unidirectional roller TS sensitive plunger RS sensitive roller AS sensitive aerial LL frontal roller lever	S mechanical springs A pneumatic/mechanical spring* *on demand	NC normally closed OO 5/2	U NPT

PLUNGER 3/2, 1/8" NPT



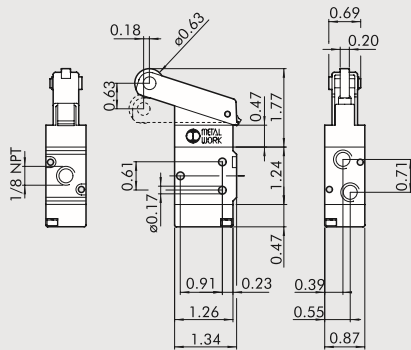
PLUNGER 5/2, 1/8" NPT



Symbol	Code	Abbrev.	Weight [lb]
	7001000100U	MEV 23 TAS NC U	0.194

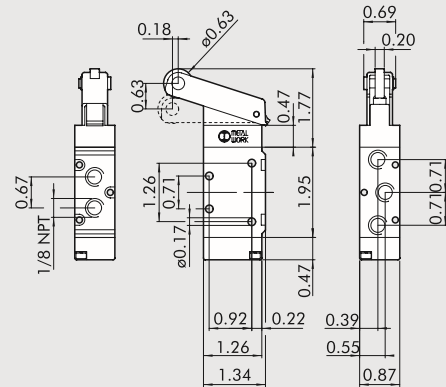
Symbol	Code	Abbrev.	Weight [lb]
	7001000110U	MEV 25 TAS OO U	0.251

ROLLER LEVER 3/2, 1/8" NPT



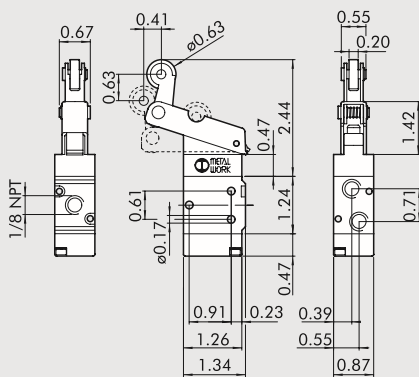
Symbol	Code	Abbrev.	Weight [lb]
	7001000500U	MEV 23 BRS NC U	0.287

ROLLER LEVER 5/2, 1/8" NPT



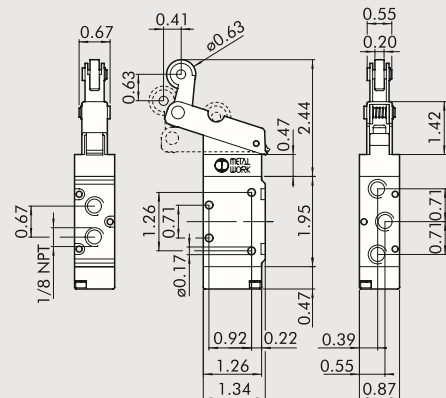
Symbol	Code	Abbrev.	Weight [lb]
	7001000510U	MEV 25 BRS OO U	0.344

UNIDIRECTIONAL ROLLER 3/2, 1/8" NPT LEVERS



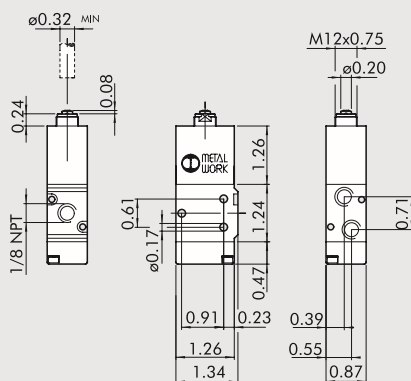
Symbol	Code	Abbrev.	Weight [lb]
	7001000600U	MEV 23 URS NC U	0.300

UNIDIRECTIONAL ROLLER 5/2, 1/8" NPT LEVERS



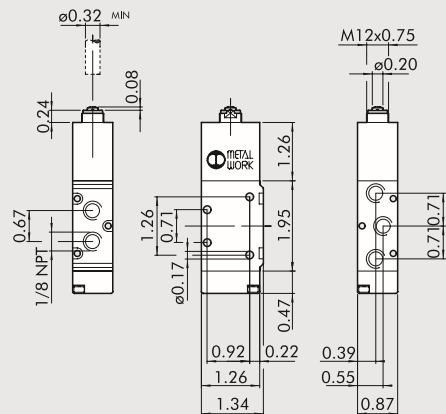
Symbol	Code	Abbrev.	Weight [lb]
	7001000610U	MEV 25 URS OO U	0.357

PILOT-ASSISTED PLUNGER 3/2 NC, 1/8" NPT



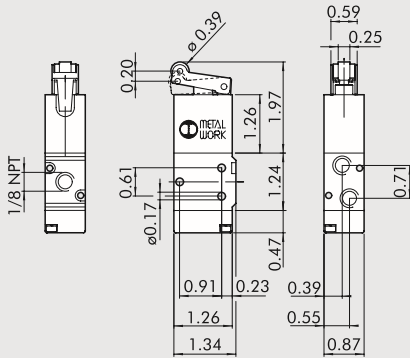
Symbol	Code	Abbrev.	Weight [lb]
	7001000200U	MEV 23 TSS NC U	0.278

PILOT-ASSISTED PLUNGER 5/2, 1/8" NPT



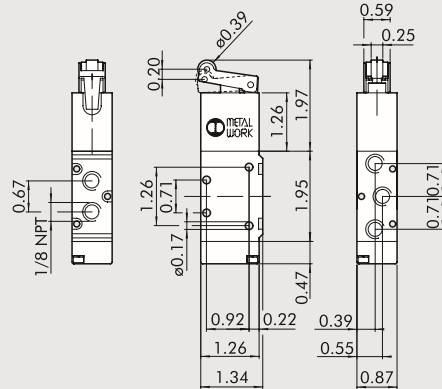
Symbol	Code	Abbrev.	Weight [lb]
	7001000210U	MEV 25 TSS OO U	0.335

PILOT-ASSISTED ROLLER LEVER 3/2 NC, 1/8" NPT



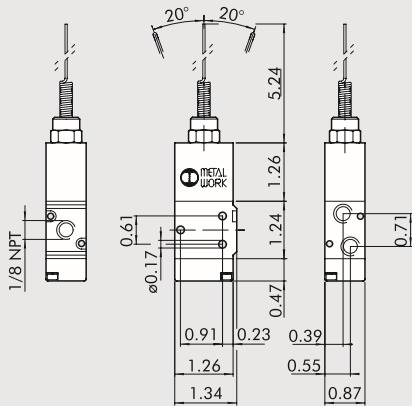
Symbol	Code	Abbrev.	Weight [lb]
	7001000400U	MEV 23 RSS NC U	0.304

PILOT-ASSISTED ROLLER LEVER 5/2, 1/8" NPT



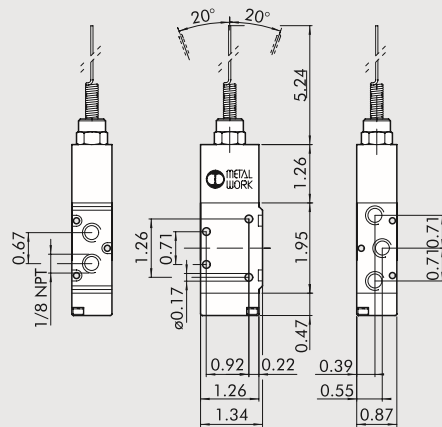
Symbol	Code	Abbrev.	Weight [lb]
	7001000410U	MEV 25 RSS OO U	0.362

PILOT-ASSISTED AERIAL 3/2 NC, 1/8" NPT



Symbol	Code	Abbrev.	Weight [lb]
	7001000700U	MEV 23 ASS NC U	0.278

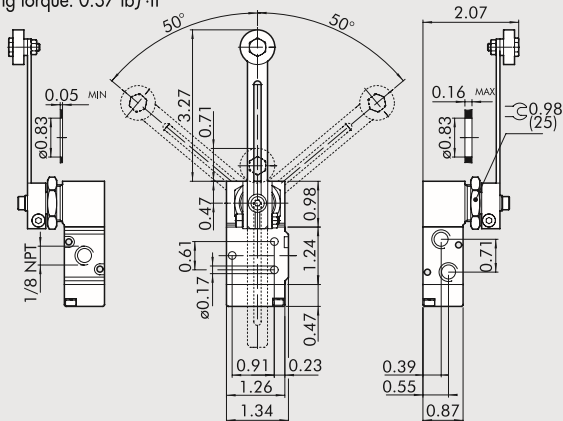
PILOT-ASSISTED AERIAL 5/2 NC, 1/8" NPT



Symbol	Code	Abbrev.	Weight [lb]
	7001000710U	MEV 25 ASS OO U	0.370

ROLLER-LEVER 3/2 1/8" NPT

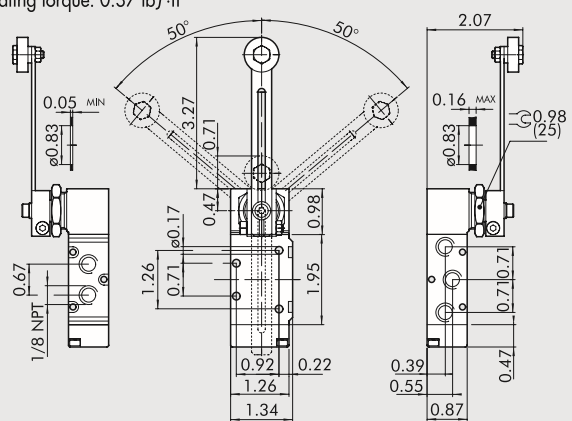
Operating torque: 0.37 lbf-ft



Symbol	Code	Abbrev.	Weight [lb]
	7001000900U	MEV 23 LLS NC U	0.417

ROLLER-LEVER 5/2 1/8" NPT

Operating torque: 0.37 lbf-ft



Symbol	Code	Abbrev.	Weight [lb]
	7001000910U	MEV 25 LLS OO U	0.476

SERIES 70 VALVES, PNEUMATIC

TECHNICAL DATA		1/8" NPT	1/4" NPT	3/8" NPT	1/2" NPT
Operating pressure	psi	Vacuum to 145			
Minimum pilot pressure					
• monostable	psi	36.3			
• bistable	psi	14.5			
Operating temperature range	°F	14 to + 140			
Nominal diameter	in	0.20	0.30	0.52	0.59
Conductance C	scfm/psi	0.30	0.65	1.23	2.37
Critical ratio b	psi/psi	0.32	0.27	0.32	0.43
Flow rate at 87 psi ΔP 7.25 psi	scfm	14	26.5	55.2	113
Flow rate at 87 psi ΔP 14.5 psi	scfm	19.5	39	75	163
		Cv 0.55	Cv 1.1	Cv 2.1	Cv 4.6
TRA / TRR monostable at 87 psi	ms	6/15	7/15	5/28	16/46
TRA / TRR bistable at 87 psi	ms	7/7	7/7	13/13	16/16
Hand operation		-	-	-	*
* Monostable on valve body					



VALVES

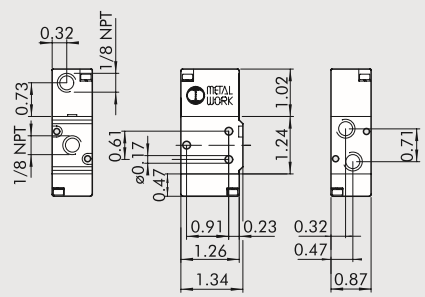
SERIES 70 VALVES, PNEUMATIC

KEY TO CODES

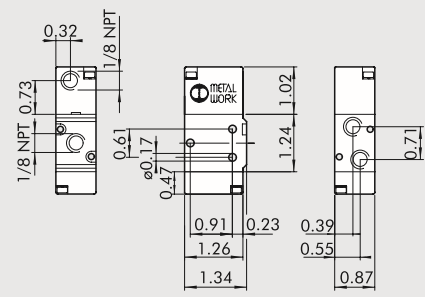
PNV		2		3		PN		S		NC		U	
FAMILY		DIMENSIONS		FUNCTION		OPERATORS 14		RESETTING (12)		FURTHER DETAILS		THREAD	
PNV	pneumatic valves	2	1/8"	3	3/2	PN	pneumatic	S	mechanical springs	OO	5/2	U	NPT
		3	1/4"	5	5/2			B	bistable	NC	normally closed		
		C	3/8"	6	5/3			D	differential	NO	normally open		
		4	1/2"					O	stable for 5/3	CC	closed centres		
								A	pneumatic/mechanical spring*	OC	open centres		
										PC	pressure centres		
									*on demand				

VALVES SERIES 70, PNEUMATIC, 1/8" NPT

MONOSTABLE 3/2 NO, 1/8" NPT



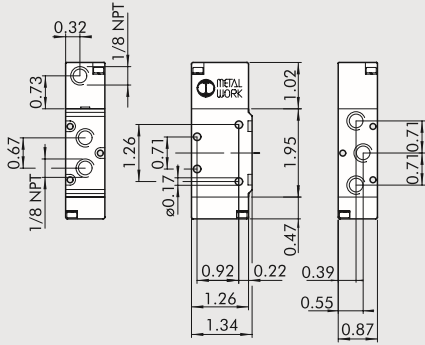
MONOSTABLE 3/2 NC, 1/8" NPT



Symbol	Code	Abbrev.	Weight [lb]
	7010010400U	PNV 23 PNS NO U	0.181

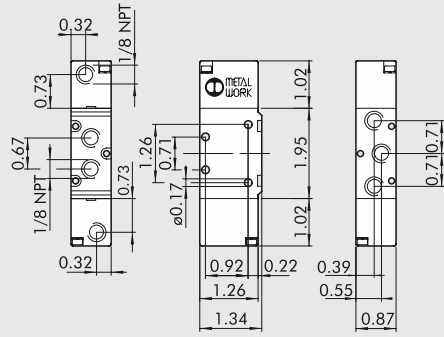
Symbol	Code	Abbrev.	Weight [lb]
	7010010200U	PNV 23 PNS NC U	0.181

MONOSTABLE 5/2, 1/8" NPT



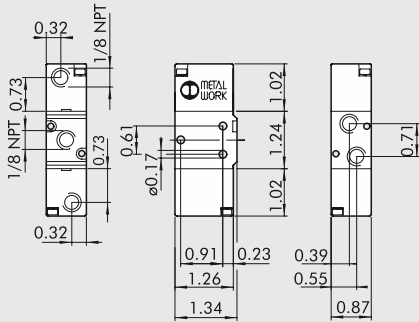
Symbol	Code	Abbrev.	Weight [lb]
	7010011100U	PNV 25 PNS OO U	0.238

BISTABLE 5/2, 1/8" NPT



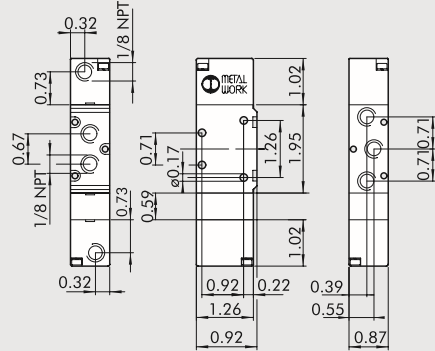
Symbol	Code	Abbrev.	Weight [lb]
	7010011200U	PNV 25 PNB OO U	0.269
	7010011300U	PNV 25 PND OO U	0.282

BISTABLE 3/2, 1/8" NPT



Symbol	Code	Abbrev.	Weight [lb]
	7010010100U	PNV 23 PNB OO U	0.212

MONOSTABLE 5/3, 1/8" NPT

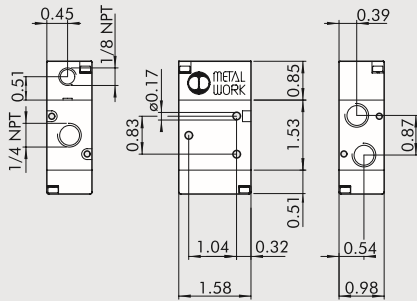


Symbol	Code	Abbrev.	Weight [lb]
	7010012100U	PNV 26 PNS CC U	0.331
	7010012200U	PNV 26 PNS OC U	0.331
	7010012300U	PNV 26 PNS PC U	0.331

NOTES

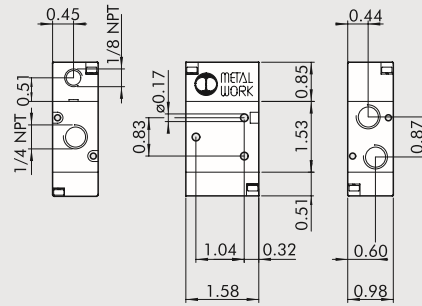
VALVES SERIES 70, PNEUMATIC, 1/4" NPT

MONOSTABLE 3/2 NO, 1/4" NPT



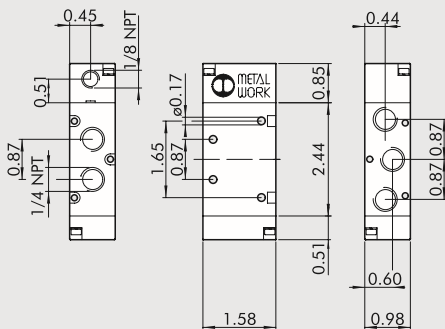
Symbol	Code	Abbrev.	Weight (lb)
	7020010400U	PNV 33 PNS NO U	0.273

MONOSTABLE 3/2 NC, 1/4" NPT



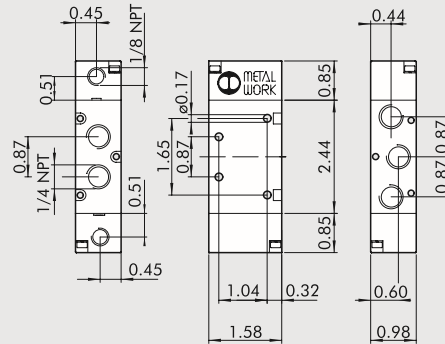
Symbol	Code	Abbrev.	Weight (lb)
	7020010200U	PNV 33 PNS NC U	0.269

MONOSTABLE 5/2, 1/4" NPT



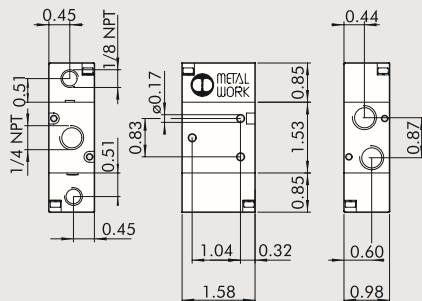
Symbol	Code	Abbrev.	Weight (lb)
	7020011100U	PNV 35 PNS OO U	0.384

BISTABLE 5/2, 1/4" NPT



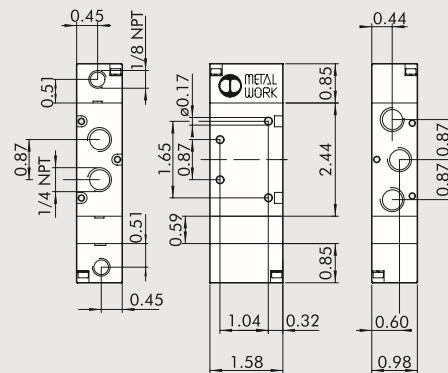
Symbol	Code	Abbrev.	Weight (lb)
	7020011200U	PNV 35 PNB OO U	0.384
	7020011300U	PNV 35 PND OO U	0.437

BISTABLE 3/2, 1/4" NPT



Symbol	Code	Abbrev.	Weight (lb)
	7020010100U	PNV 33 PNB OO U	0.269

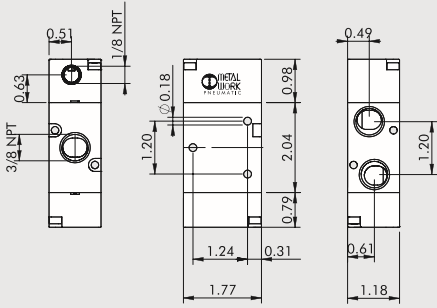
MONOSTABLE 5/3, 1/4" NPT



Symbol	Code	Abbrev.	Weight (lb)
	7020012100U	PNV 36 PNS CC U	0.273
	7020012200U	PNV 36 PNS OC U	0.273
	7020012300U	PNV 36 PNS PC U	0.273

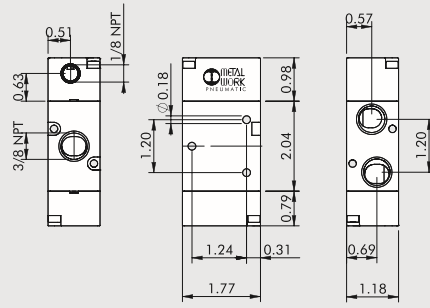
VALVES SERIES 70, PNEUMATIC, 3/8" NPT

MONOSTABLE 3/2 NO, 3/8" NPT



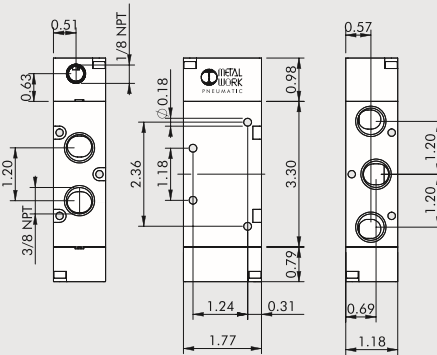
Symbol	Code	Abbrev.	Weight (lb)
	7040010400U	PNV C3 PNS NO U	0.491

MONOSTABLE 3/2 NC, 3/8" NPT



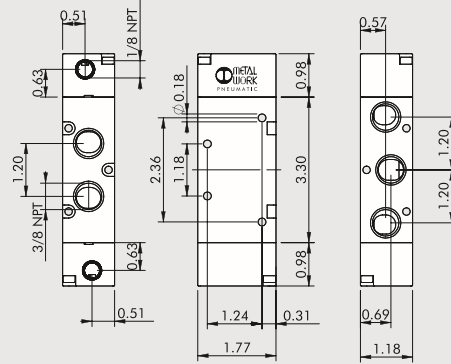
Symbol	Code	Abbrev.	Weight (lb)
	7040010200U	PNV C3 PNS NC U	0.491

MONOSTABLE 5/2, 3/8" NPT



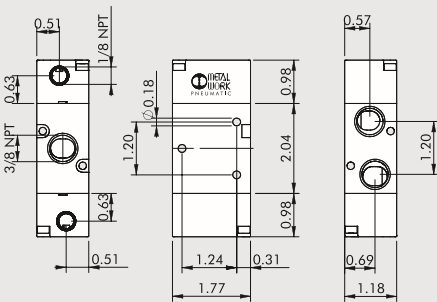
Symbol	Code	Abbrev.	Weight (lb)
	7040011100U	PNV C5 PNS OO U	0.725

BISTABLE 5/2, 3/8" NPT



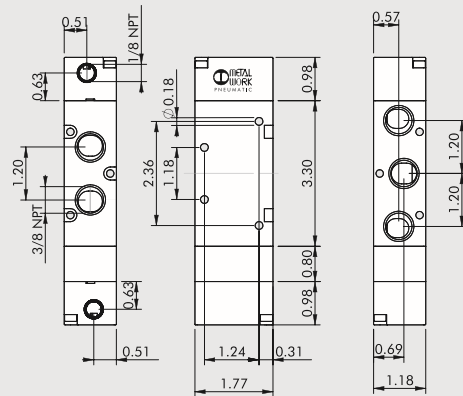
Symbol	Code	Abbrev.	Weight (lb)
	7040011200U	PNV C5 PNB OO U	0.714
	7040011300U	PNV C5 PND OO U	0.793

BISTABLE 3/2, 3/8" NPT



Symbol	Code	Abbrev.	Weight (lb)
	7040010100U	PNV C3 PNB OO U	0.507

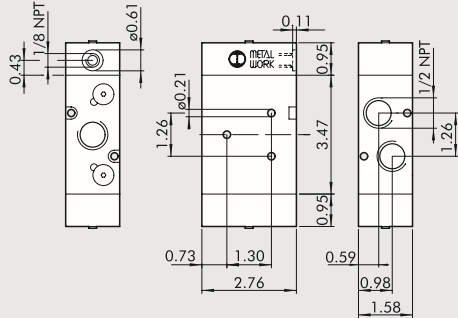
MONOSTABLE 5/3, 3/8" NPT



Symbol	Code	Abbrev.	Weight (lb)
	7040012100U	PNV C6 PNS CC U	0.906
	7040012200U	PNV C6 PNS OC U	0.901
	7040012300U	PNV C6 PNS PC U	0.901

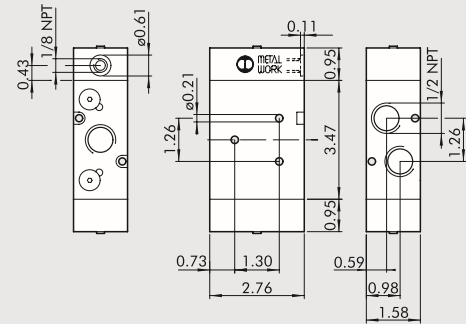
VALVES SERIES 70, PNEUMATIC, 1/2" NPT

MONOSTABLE 3/2 NO, 1/2" NPT



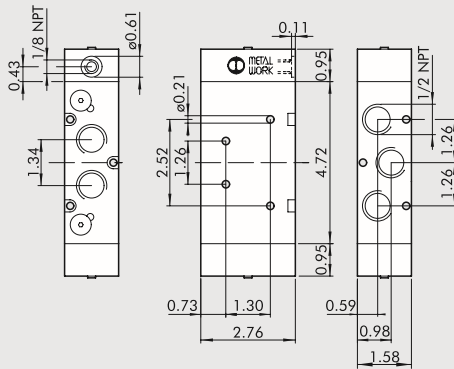
Symbol	Code	Abbrev.	Weight [lb]
	7030010400U	PNV 43 PNS NO U	2.00

MONOSTABLE 3/2 NC, 1/2" NPT



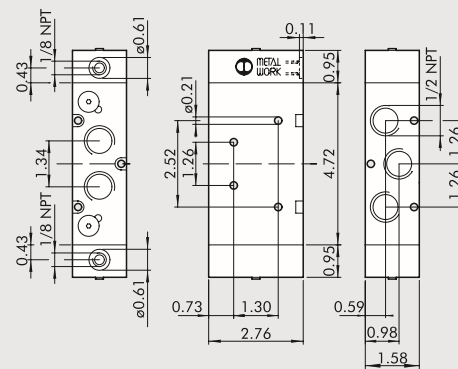
Symbol	Code	Abbrev.	Weight [lb]
	7030010200U	PNV 43 PNS NC U	2.00

MONOSTABLE 5/2, 1/2" NPT



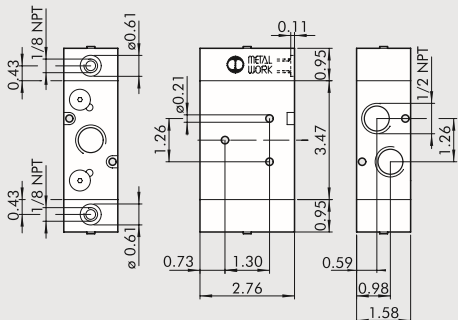
Symbol	Code	Abbrev.	Weight [lb]
	7030011100U	PNV 45 PNS OO U	2.404

BISTABLE 5/2, 1/2" NPT



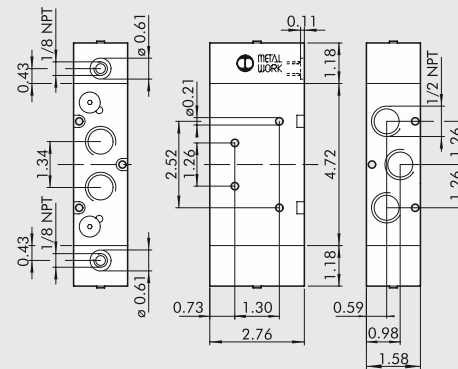
Symbol	Code	Abbrev.	Weight [lb]
	7030011200U	PNV 45 PNB OO U	2.375
	7030011300U	PNV 45 PND OO U	2.404

BISTABLE 3/2, 1/2" NPT



Symbol	Code	Abbrev.	Weight [lb]
	7030010100U	PNV 43 PNB OO U	2.031

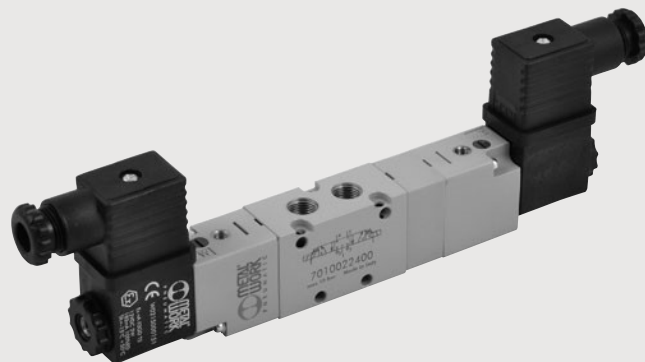
MONOSTABLE 5/3, 1/2" NPT



Symbol	Code	Abbrev.	Weight [lb]
	7030012100U	PNV 46 PNS CC U	2.646
	7030012200U	PNV 46 PNS OC U	2.633
	7030012300U	PNV 46 PNS PC U	2.637

SERIES 70 VALVES, SOLENOID/PNEUMATIC

TECHNICAL DATA		1/8" NPT	1/4" NPT	3/8" NPT	1/2" NPT
Operating pressure:					
• monostable	psi	36.3 to 145			
• bistable	psi	14.5 to 145			
• asserved	psi	Vacuum to 145			
Minimum pilot pressure	psi	36.3			
Operating temperature range	°F	14 to +140			
Nominal diameter	in	0.20	0.30	0.52	0.59
Conductance C	scfm/psi	0.30	0.65	1.23	2.37
Critical ratio b	psi/psi	0.32	0.27	0.32	0.43
Flow rate at 87 psi ΔP 7.5 psi	scfm	14	26.5	55.2	113
Flow rate at 87 psi ΔP 14.5 psi	scfm	19.5	39	75	163
		Cv 0.55	Cv 1.1	Cv 2.1	Cv 4.6
TRA / TRR monostable at 87 psi	ms	15/35	19/45	21/72	36/60
TRA / TRR bistable at 87 psi	ms	20/20	21/21	18/18	30/30
Coil voltage values		12; 24 VDC - 24; 110; 220V AC 50/60Hz			
Power		2 W (DC) 3.5 VA (AC)			
Voltage tolerance	%	-10 to +15			
Insulation class		F 155			
Maximum coil nut torque	lbf ft	0.74			
Hand operation		Bistable			*
* Bistable on solenoid pilot. Monostable on valve body.					

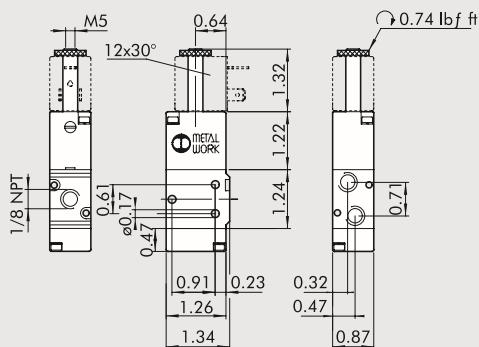


KEY TO CODES

SOV	2	3	SO	S	NC	U
FAMILY	DIMENSIONS	FUNCTION	OPERATORS 14	RESETTING (12)	FURTHER DETAILS	THREAD
SOV solenoid/pneumatic	2 1/8" 3 1/4" C 3/8" 4 1/2"	3 3/2 5 5/2 6 5/3	SO solenoid SE solenoid assisted	S mechanical springs B bistable D differential P pneumatic A pneumatic/mechanical spring*	NC normally closed NO normally open CC closed centres OC open centres PC pressure centres OO 5/2	U NPT
*on demand						

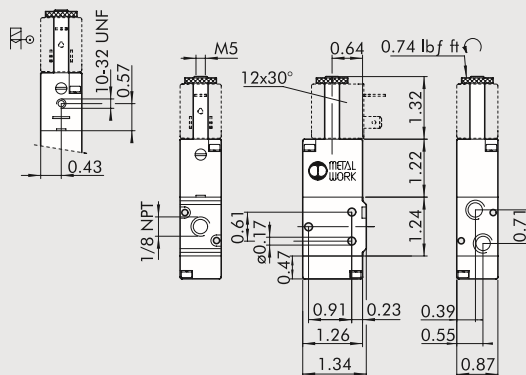
VALVES SERIES 70, SOLENOID/PNEUMATIC-PILOT-ASSISTED SOLENOID/PNEUMATIC, 1/8" NPT

MONOSTABLE 3/2 NO, 1/8" NPT



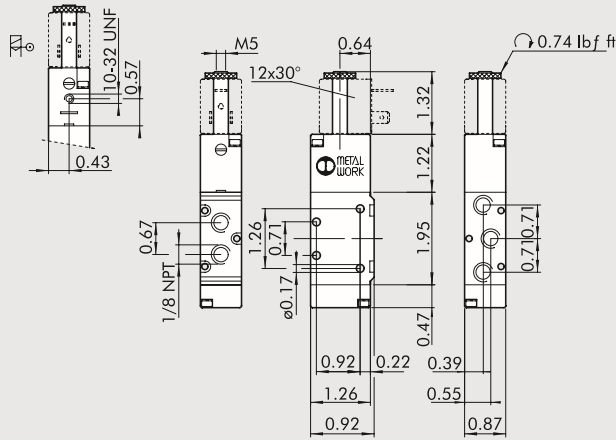
Symbol	Code	Abbrev.	Weight [lb]
	7010020400U	SOV 23 SOS NO U	0.221

MONOSTABLE 3/2 NC, 1/8" NPT



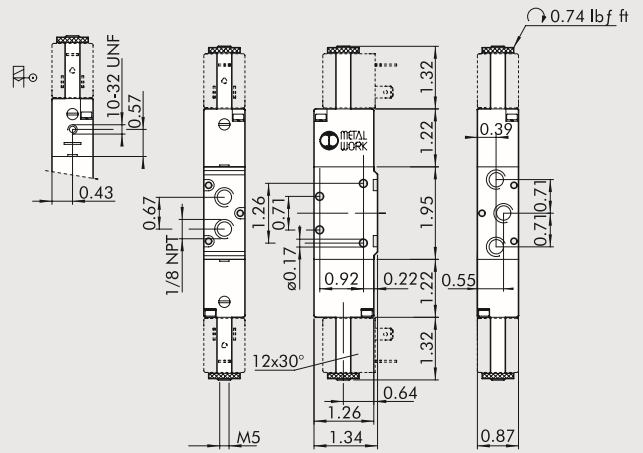
Symbol	Code	Abbrev.	Weight [lb]
	7010020200U	SOV 23 SOS NC U	0.221
	7010020500U	SOV 23 SES NC U	0.221

MONOSTABLE 5/2, 1/8" NPT



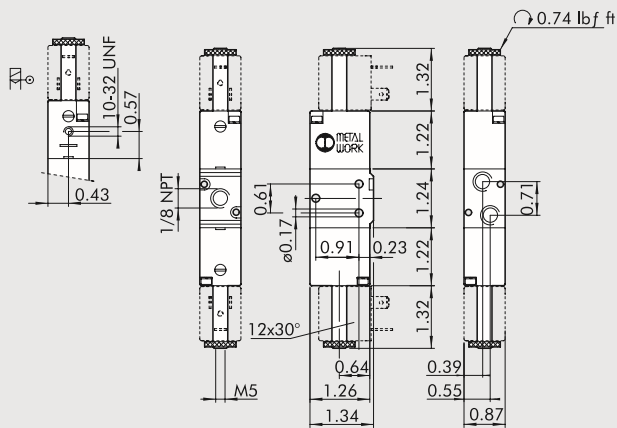
Symbol	Code	Abbrev.	Weight [lb]
	7010021100U	SOV 25 SOS OO U	0.282
	7010021500U	SOV 25 SES OO U	0.285

BISTABLE 5/2, 1/8" NPT



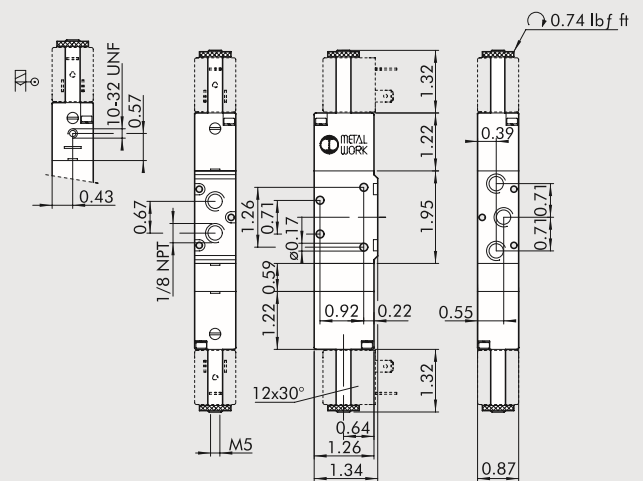
Symbol	Code	Abbrev.	Weight [lb]
	7010021200U	SOV 25 SOB OO U	0.353
	7010021300U	SOV 25 SOD OO U	0.366
	7010021600U	SOV 25 SEB OO U	0.353

BISTABLE 3/2, 1/8" NPT



Symbol	Code	Abbrev.	Weight [lb]
	7010020100U	SOV 23 SOB OO U	0.298
	7010020300U	SOV 23 SEB OO U	0.300

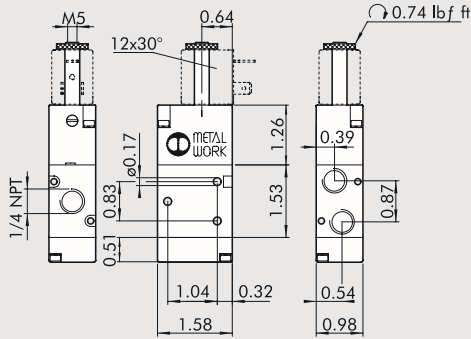
MONOSTABLE 5/3, 1/8" NPT



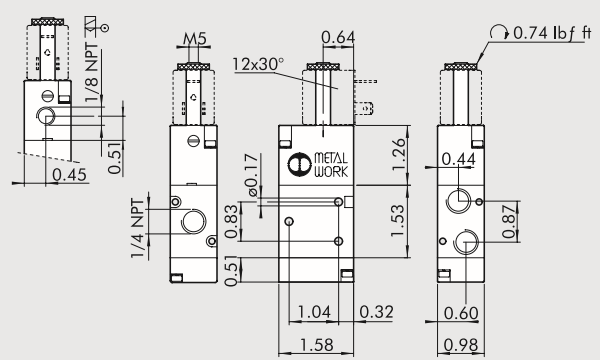
Symbol	Code	Abbrev.	Weight [lb]
	7010022100U	SOV 26 SOS CC U	0.419
	7010022200U	SOV 26 SOS OC U	0.419
	7010022300U	SOV 26 SOS PC U	0.419
	7010022400U	SOV 26 SES CC U	0.415
	7010022500U	SOV 26 SES OC U	0.415
	7010022600U	SOV 26 SES PC U	0.415

VALVES SERIES 70, SOLENOID/PNEUMATIC-PILOT-ASSISTED SOLENOID/ PNEUMATIC, 1/4" NPT

MONOSTABLE 3/2 NO, 1/4" NPT



MONOSTABLE 3/2 NC, 1/4" NPT

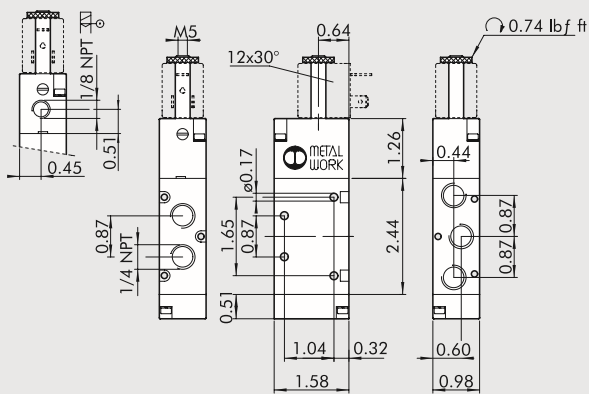


Symbol	Code	Abbrev.	Weight [lb]
	7020020400U	SOV 33 SOS NO U	0.335

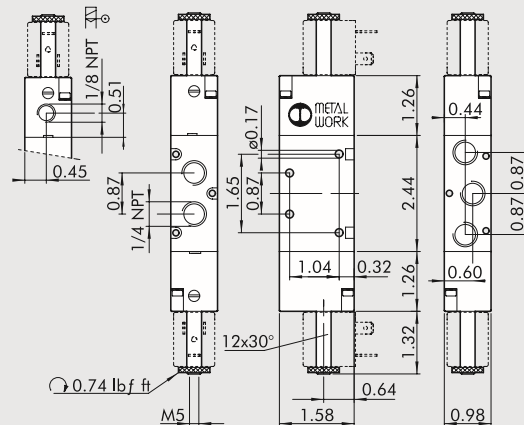
Symbol	Code	Abbrev.	Weight [lb]
	7020020200U	SOV 33 SOS NC U	0.335

	7020020500U	SOV 33 SES NC U	0.335
--	-------------	-----------------	-------

MONOSTABLE 5/2 1/4" NPT



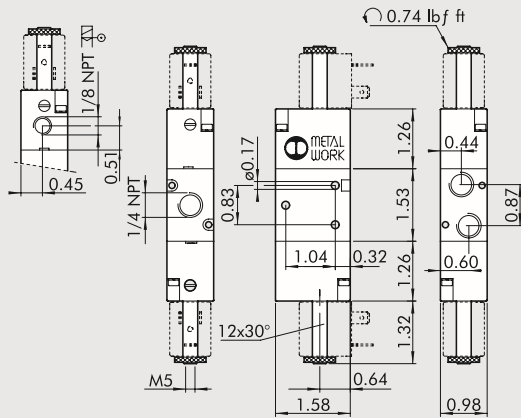
BISTABLE 5/2 1/4" NPT



Symbol	Code	Abbrev.	Weight [lb]
	7020021100U	SOV 35 SOS OO U	0.441
	7020021500U	SOV 35 SES OO U	0.441

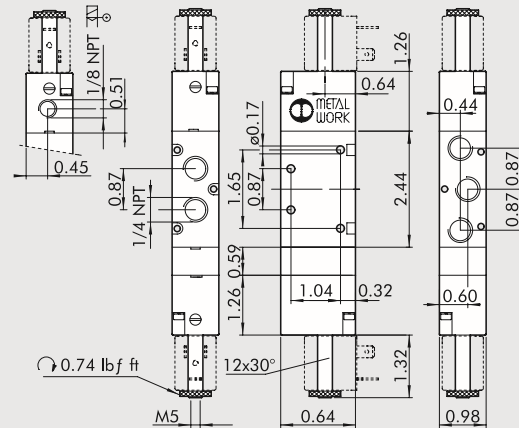
Symbol	Code	Abbrev.	Weight [lb]
	7020021200U	SOV 35 SOB OO U	0.520
	7020021300U	SOV 35 SOD OO U	0.517
	7020021600U	SOV 35 SEB OO U	0.534

BISTABLE 3/2, 1/4" NPT



Symbol	Code	Abbrev.	Weight [lb]
	7020020100U	SOV 33 SOB OO U	0.419
	7020020300U	SOV 33 SEB OO U	0.419

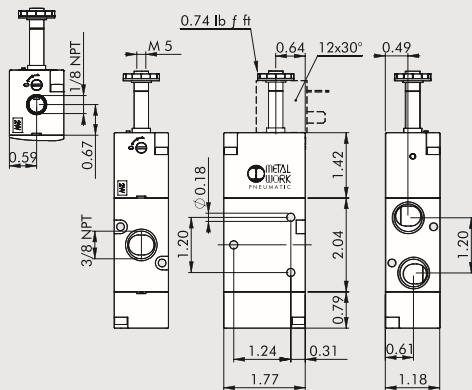
MONOSTABLE 5/3, 1/4" NPT



Symbol	Code	Abbrev.	Weight [lb]
	7020022100U	SOV 36 SOS CC U	0.604
	7020022200U	SOV 36 SOS OC U	0.604
	7020022300U	SOV 36 SOS PC U	0.604
	7020022400U	SOV 36 SES CC U	0.611
	7020022500U	SOV 36 SES OC U	0.611
	7020022600U	SOV 36 SES PC U	0.611

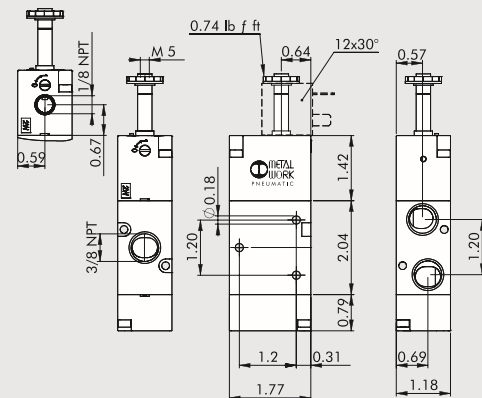
VALVES SERIES 70, SOLENOID/PNEUMATIC-PILOT-ASSISTED SOLENOID/PNEUMATIC, 3/8" NPT

MONOSTABLE 3/2 NO, 3/8" NPT



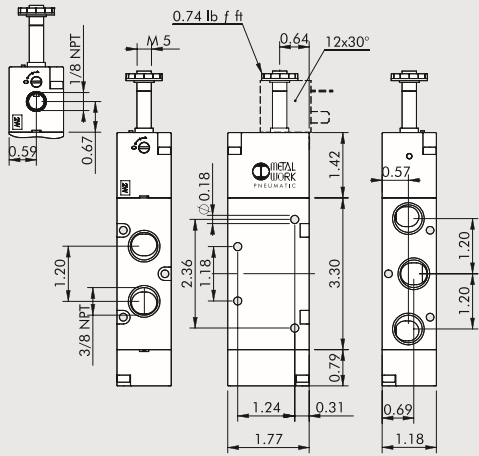
Symbol	Code	Abbrev.	Weight [lb]
	7040020400U	SOV C3 SOS NO U	0.564

MONOSTABLE 3/2 NC, 3/8" NPT



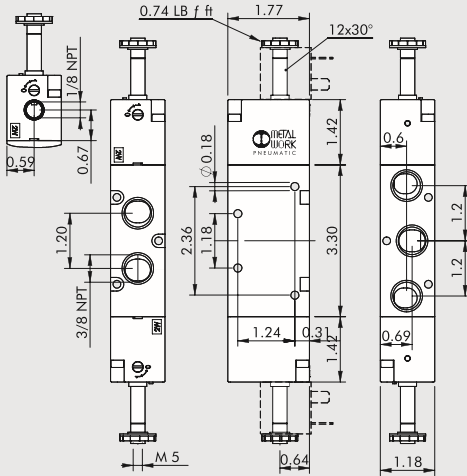
Symbol	Code	Abbrev.	Weight [lb]
	7040020200U	SOV C3 SOS NC U	0.564
	7040020500U	SOV C3 SES NC U	0.562

MONOSTABLE 5/2, 3/8" NPT



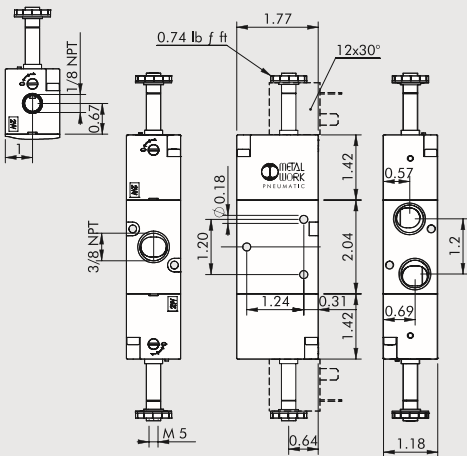
Symbol	Code	Abbrev.	Weight [lb]
	7040021100U	SOV C5 SOS OO U	0.796
	7040021500U	SOV C5 SES OO U	0.796

BISTABLE 5/2, 3/8" NPT



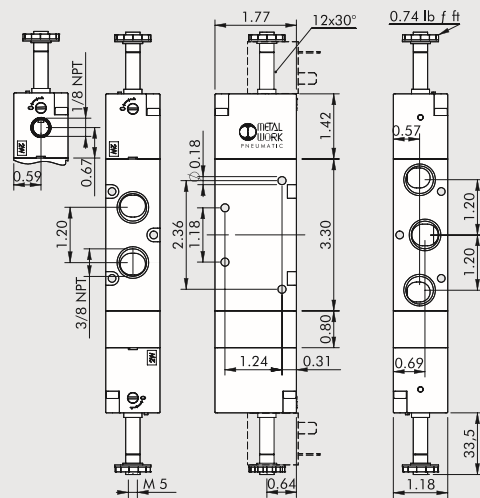
Symbol	Code	Abbrev.	Weight [lb]
	7040021200U	SOV C5 SOB OO U	0.882
	7040021300U	SOV C5 SOD OO U	0.937
	7040021600U	SOV C5 SEB OO U	0.882

BISTABLE 3/2, 3/8" NPT



Symbol	Code	Abbrev.	Weight [lb]
	7040020100U	SOV C3 SOB OO U	0.676
	7040020300U	SOV C3 SEB OO U	0.676

MONOSTABLE 5/3, 3/8" NPT

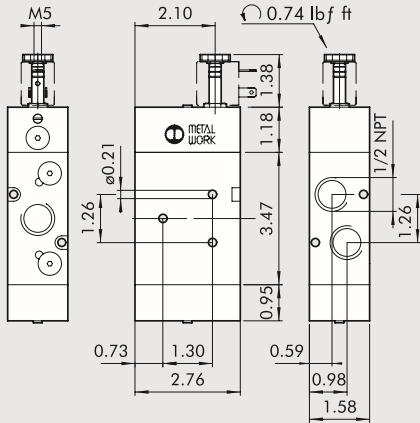


Symbol	Code	Abbrev.	Weight [lb]
	7040022100U	SOV C6 SOS CC U	1.049
	7040022200U	SOV C6 SOS OC U	1.045
	7040022300U	SOV C6 SOS PC U	1.045
	7040022400U	SOV C6 SES CC U	1.049
	7040022500U	SOV C6 SES OC U	1.045
	7040022600U	SOV C6 SES PC U	1.045

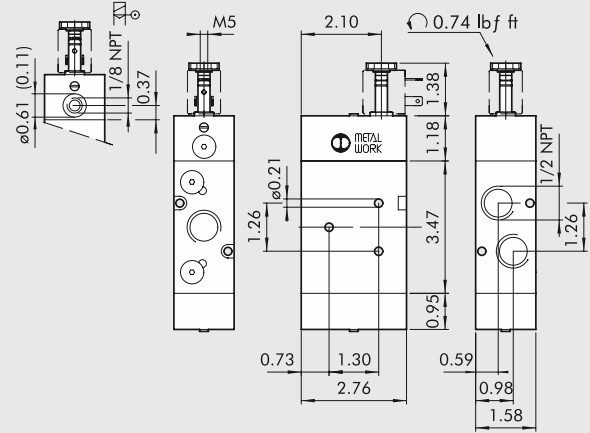
VALVES SERIES 70, SOLENOID/PNEUMATIC-PILOT-ASSISTED SOLENOID/PNEUMATIC, 1/2" NPT



MONOSTABLE 3/2 NO, 1/2" NPT



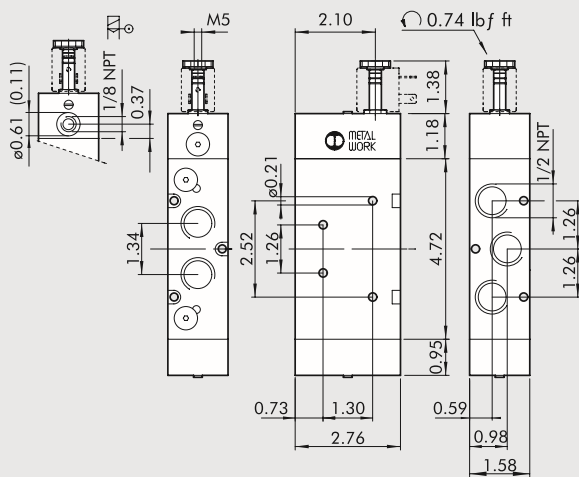
MONOSTABLE 3/2 NC, 1/2" NPT



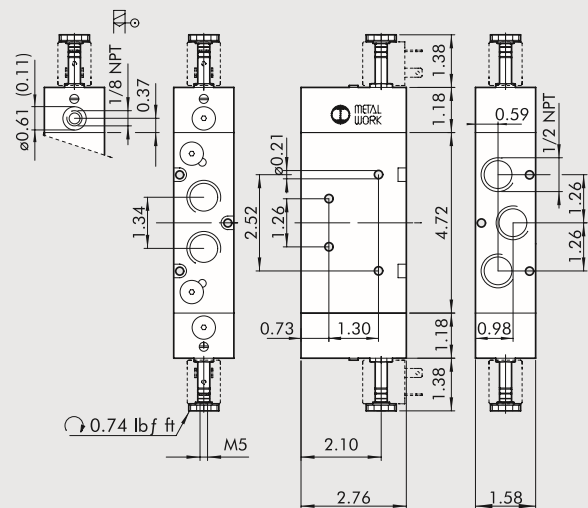
Symbol	Code	Abbrev.	Weight [lb]
	7030020400U	SOV 43 SOS NO U	2.051

Symbol	Code	Abbrev.	Weight [lb]
	7030020200U	SOV 43 SOS NC U	2.051
	7030020500U	SOV 43 SES NC U	2.035

MONOSTABLE 5/2, 1/2" NPT



BISTABLE 5/2, 1/2" NPT



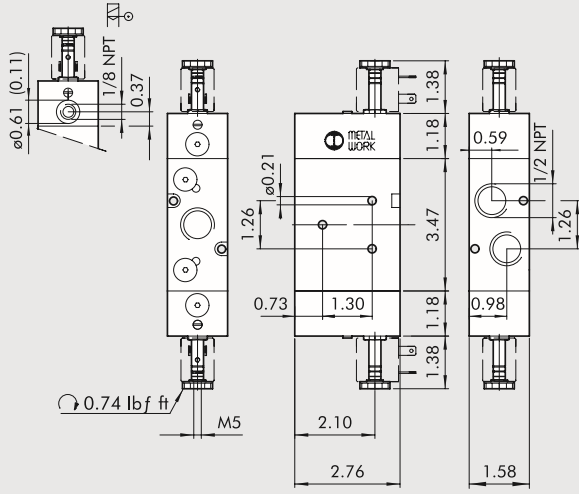
Symbol	Code	Abbrev.	Weight [lb]
	7030021100U	SOV 45 SOS OO U	2.470
	7030021500U	SOV 45 SES OO U	2.454

Symbol	Code	Abbrev.	Weight [lb]
	7030021200U	SOV 45 SOB OO U	2.514
	7030021300U	SOV 45 SOD OO U	2.540
	7030021600U	SOV 45 SEB OO U	2.485

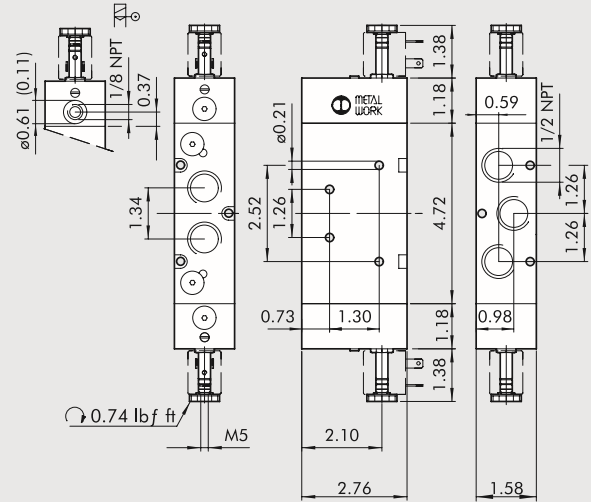
VALVES

SERIES 70 VALVES, SOLENOID/PNEUMATIC

BISTABLE 3/2, 1/2" NPT



MONOSTABLE 5/3, 1/2" NPT



Symbol	Code	Abbrev.	Weight (lb)
	7030020100U	SOV 43 SOB OO U	2.106
	7030020300U	SOV 43 SEB OO U	2.077

Symbol	Code	Abbrev.	Weight (lb)
	7030022100U	SOV 46 SOS CC U	2.789
	7030022200U	SOV 46 SOS OC U	2.789
	7030022300U	SOV 46 SOS PC U	2.789
	7030022400U	SOV 46 SES CC U	2.761
	7030022500U	SOV 46 SES OC U	2.761
	7030022600U	SOV 46 SES PC U	2.761

ACCESSORIES FOR SERIES 70 SOLENOID/PNEUMATIC VALVES

Refer to page 1-40 for coils and connectors



NOTES