

Signal conditioner - MCR-FL-C-UI-2UI-DCI - 2814854

Please be informed that the data shown in this PDF Document is generated from our Online Catalog. Please find the complete data in the user's documentation. Our General Terms of Use for Downloads are valid (<http://phoenixcontact.com/download>)



MCR signal multiplier, for doubling and electrical isolation of analog signals, unconfigured

Your advantages

- ✓ Calibrated selectable input and output signals
- ✓ 4-way isolation



Key Commercial Data

Packing unit	1 pc
--------------	------

Technical data

Dimensions

Width	17.5 mm
Height	99 mm
Depth	114.5 mm

Ambient conditions

Ambient temperature (operation)	-25 °C ... 55 °C
---------------------------------	------------------

Input data

Description of the input	Current input
Number of inputs	1
Configurable/programmable	Yes, preconfigured
Current input signal	0 mA ... 24 mA (freely selectable in 0.1 mA steps)
Max. input current	50 mA
Input resistance current input	50 Ω
Description of the input	Voltage input
Configurable/programmable	Yes, preconfigured
Voltage input signal	0 V ... 12 V (freely selectable in 0.1 V steps)
max. input voltage	30 V
Input resistance of voltage input	200 kΩ

Signal conditioner - MCR-FL-C-UI-2UI-DCI - 2814854

Technical data

Output data

Output name	Voltage output
Number of outputs	2
Configurable/programmable	Yes, preconfigured
Voltage output signal	0 V DC ... 10 V DC (refer to the order key)
	2 V DC ... 10 V DC
	0 V DC ... 5 V DC
	1 V DC ... 5 V DC
Max. output voltage	15 V
Load/output load voltage output	$\geq 10 \text{ k}\Omega$
Output name	Current output
Configurable/programmable	Yes, preconfigured
Current output signal	0 mA ... 20 mA (refer to the order key)
	4 mA ... 20 mA
	0 mA ... 10 mA
Max. output current	35 mA
Load/output load current output	$\leq 600 \Omega$

Power supply

Supply voltage range	20 V DC ... 30 V DC
Max. current consumption	< 25 mA

General

No. of channels	2
Maximum transmission error	$\leq 0.15 \%$ (of final value)
Transmission error, typical	0.05 % (of final value)
Maximum temperature coefficient	< 0.015 %/K
Temperature coefficient, typical	0.0075 %/K
Limit frequency (3 dB)	30 Hz
Step response (10-90%)	12 ms
Protective circuit	Transient protection
Test voltage, input/output/supply	1.5 kV (50 Hz, 1 min.)
Color	green
Housing material	Polyamide PA non-reinforced
Mounting position	any
Conformance	CE-compliant
UL, USA/Canada	Class I, Div. 2, Groups A, B, C, D or Non-Hazardous Locations

Standards and Regulations

Connection in acc. with standard	CUL
Conformance	CE-compliant
UL, USA/Canada	Class I, Div. 2, Groups A, B, C, D or Non-Hazardous Locations

Environmental Product Compliance

Signal conditioner - MCR-FL-C-UI-2UI-DCI - 2814854

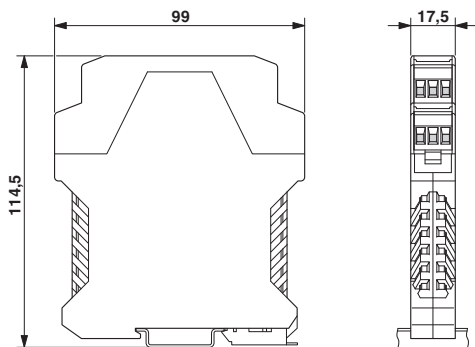
Technical data

Environmental Product Compliance

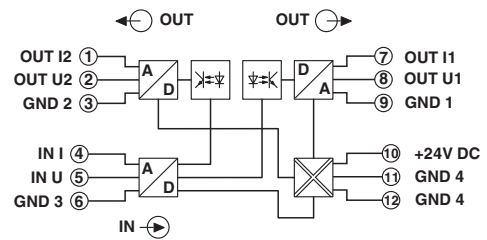
China RoHS	Environmentally Friendly Use Period = 50
	For details about hazardous substances go to tab "Downloads", Category "Manufacturer's declaration"

Drawings

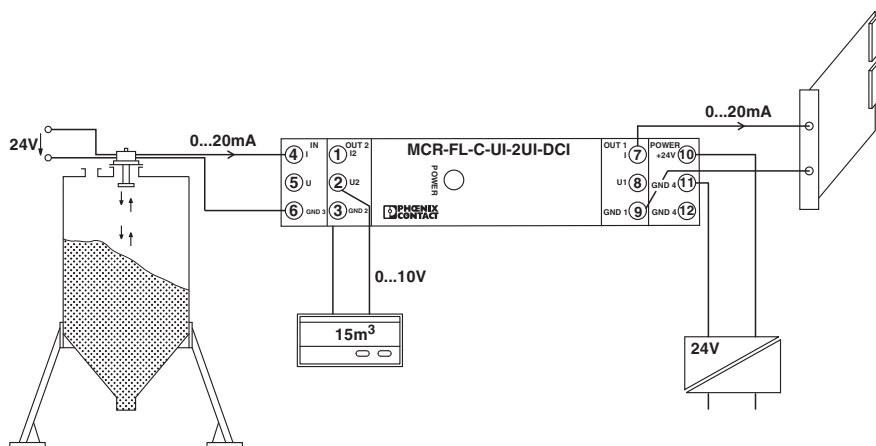
Dimensional drawing



Circuit diagram



Application drawing



Application example: - Level measurement with subsequent signal multiplication

- 1 = filling level sensor
- 2 = control
- 3 = mains voltage

Phoenix Contact 2019 © - all rights reserved
<http://www.phoenixcontact.com>

PHOENIX CONTACT GmbH & Co. KG
Flachmarktstr. 8
32825 Blomberg
Germany
Tel. +49 5235 300
Fax +49 5235 3 41200
<http://www.phoenixcontact.com>