

Fuse panel feed-through terminal block - DFK 4-SI(6,3X32) BK - 0708344

Please be informed that the data shown in this PDF Document is generated from our Online Catalog. Please find the complete data in the user's documentation. Our General Terms of Use for Downloads are valid (<http://phoenixcontact.com/download>)



Panel feed-through terminal block, connection method: Screw connection, Solder/Slip-on connection, number of positions: 1, load current: 10 A, cross section: 0.2 mm² - 6 mm², AWG 24 - 10, connection direction of the conductor to plug-in direction: 0 °, width: 12.2 mm, color: black

The figure shows version DFK 4-SI (5X20) BK

Your advantages

- PE terminal block with ground function in accordance with IEC 60947-7-2
- Touch-proof insulating housing
- The feed-through terminal blocks snap into the panel cutout automatically
- Universal screw connection with screw locking



Key Commercial Data

Packing unit	50 pc
GTIN	
GTIN	4017918004613

Technical data

General

Number of levels	1
Number of connections	2
Color	black
Insulating material	PA
Flammability rating according to UL 94	V2
Maximum load current	10 A
	6.3 A
Rated surge voltage	4 kV
Degree of pollution	3
Overvoltage category	III
Insulating material group	I

Fuse panel feed-through terminal block - DFK 4-SI(6,3X32) BK - 0708344

Technical data

General

Connection in acc. with standard	IEC 60947-7-3
Nominal current I_N	10 A
Maximum load current	10 A
Nominal voltage U_N	400 V
Open side panel	No
Number of positions	1

Dimensions

Width	12.2 mm
Length	51 mm
Pitch	6 mm
Plate thickness	1.5 mm

Connection data

Connection side	Level 1 ext. 1
Connection method	Screw connection
Conductor cross section solid min.	0.2 mm ²
Conductor cross section solid max.	6 mm ²
Conductor cross section flexible min.	0.2 mm ²
Conductor cross section flexible max.	4 mm ²
Conductor cross section AWG min.	24
Conductor cross section AWG max.	10
Conductor cross section flexible, with ferrule without plastic sleeve min.	0.25 mm ²
Conductor cross section flexible, with ferrule without plastic sleeve max.	4 mm ²
Conductor cross section flexible, with ferrule with plastic sleeve min.	0.25 mm ²
Conductor cross section flexible, with ferrule with plastic sleeve max.	2.5 mm ²
2 conductors with same cross section, solid min.	0.2 mm ²
2 conductors with same cross section, solid max.	1.5 mm ²
2 conductors with same cross section, stranded min.	0.2 mm ²
2 conductors with same cross section, stranded max.	1.5 mm ²
2 conductors with same cross section, stranded, ferrules without plastic sleeve, min.	0.25 mm ²
2 conductors with same cross section, stranded, ferrules without plastic sleeve, max.	1.5 mm ²
2 conductors with same cross section, stranded, TWIN ferrules with plastic sleeve, min.	0.5 mm ²
2 conductors with same cross section, stranded, TWIN ferrules with plastic sleeve, max.	2.5 mm ²
Stripping length	8 mm
Internal cylindrical gage	A4
Screw thread	M3
Tightening torque, min	0.6 Nm
Tightening torque max	0.8 Nm

Fuse panel feed-through terminal block - DFK 4-SI(6,3X32) BK - 0708344

Technical data

Connection data

Connection side	Level 1 int. 1
Connection method	Solder/Slip-on connection
Conductor cross section solid min.	0.2 mm ²
Conductor cross section solid max.	1.5 mm ²
Conductor cross section flexible min.	0.2 mm ²
Conductor cross section flexible max.	1.5 mm ²
Conductor cross section AWG min.	24
Conductor cross section AWG max.	16
Internal cylindrical gage	A4
Slip-on connection	2.8 x 0.8 mm

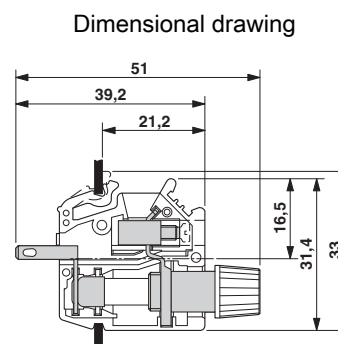
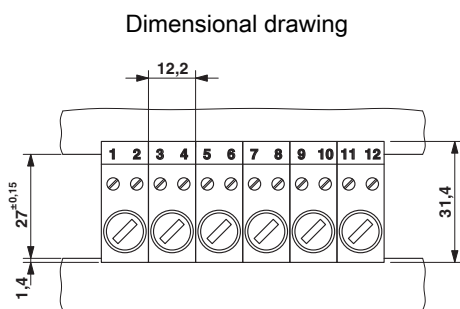
Standards and Regulations

Connection in acc. with standard	CSA
	IEC 60947-7-3
	IEC 60947-7-3
Flammability rating according to UL 94	V2

Environmental Product Compliance

	Lead 7439-92-1
China RoHS	Environmentally Friendly Use Period = 50
	For details about hazardous substances go to tab "Downloads", Category "Manufacturer's declaration"

Drawings



Approvals

Approvals

Approvals


CSA / UL Recognized / EAC


Fuse panel feed-through terminal block - DFK 4-SI(6,3X32) BK - 0708344

Approvals

Ex Approvals

Approval details

CSA		http://www.csagroup.org/services-industries/product-listing/	13631
	D	B	
Nominal voltage UN	300 V	250 V	
Nominal current IN	8 A	8 A	
mm ² /AWG/kcmil	28-10	28-10	

UL Recognized		http://database.ul.com/cgi-bin/XYV/template/LISEXT/1FRAME/index.htm	FILE E 60425
	D	B	
Nominal voltage UN	300 V	250 V	
Nominal current IN	8 A	8 A	
mm ² /AWG/kcmil	30-10	30-10	

EAC			B.01742
-----	---	--	---------

Phoenix Contact 2019 © - all rights reserved
<http://www.phoenixcontact.com>

PHOENIX CONTACT GmbH & Co. KG
 Flachsmarktstr. 8
 32825 Blomberg
 Germany
 Tel. +49 5235 300
 Fax +49 5235 3 41200
<http://www.phoenixcontact.com>