

# Injector - INJ 1010 - 2703007

Please be informed that the data shown in this PDF Document is generated from our Online Catalog. Please find the complete data in the user's documentation. Our General Terms of Use for Downloads are valid (<http://phoenixcontact.com/download>)



PoE injector, 60 W, two RJ45 sockets, 10/100/1000 Mbps, DIN rail mounting, IP20

## Your advantages

- Extended supply voltage range of 18 V DC ... 57 V DC, redundant
- Safe shield connection to ground potential
- Mounting on a DIN rail
- 10/100/1000 Mbps



## Key Commercial Data

Packing unit	1 pc
GTIN	
GTIN	4055626462950

## Technical data

### Dimensions

Width	30.2 mm
Height	130 mm
Depth	120 mm

### Ambient conditions

Ambient temperature (operation)	0 °C ... 60 °C
Ambient temperature (storage/transport)	-40 °C ... 85 °C
Permissible humidity (operation)	10 % ... 95 % (non-condensing)
Altitude	5000 m (For restrictions see manufacturer's declaration)
	2000 m (With UL approval)
Degree of protection	IP20 (Non-certificated by UL)

### General

Electromagnetic compatibility	Conformance with EMC Directive 2014/30/EU
Mounting position	vertical
Net weight	380.8 g

# Injector - INJ 1010 - 2703007

## Technical data

### General

Housing material	Plastic
Color	gray
Conformance	CE-compliant
UL, USA/Canada	Class I, Div. 2, Groups A, B, C, D, T4

### Power supply

Nominal supply voltage	24 V DC
	48 V DC
Supply voltage range	18 V DC ... 57 V DC (Ordinary locations)
	24 V DC ... 48 V DC (Hazardous locations)
Max. current consumption	4.2 A
	2.73 A (24 V DC)
	1.34 A (48 V DC)
Power consumption	≤ 75 W
Protective circuit	Reverse polarity protection
Conductor cross section flexible max.	4.00 mm <sup>2</sup>
Conductor cross section flexible min.	0.75 mm <sup>2</sup>
Conductor cross section solid max.	4.00 mm <sup>2</sup>
Conductor cross section solid min.	0.75 mm <sup>2</sup>
Conductor cross section AWG max.	12
Conductor cross section AWG min.	20

### Serial interface

Interface 1	Ethernet
Connection method	RJ45 socket
Transmission length	100 m (including patch cables)
Pin assignment	1:1
Basic functions	PSE/Midspan, compliant with IEEE 802.3af, at
Serial transmission speed	10/100/1000 Mbps
Output nominal voltage	54 V DC (PoE)
Output power	60 W
Interface 2	Ethernet
Connection method	RJ45 CAT5e

### Standards and Regulations

Electromagnetic compatibility	Conformance with EMC Directive 2014/30/EU
Type of test	Vibration resistance in acc. with EN 60068-2-6/IEC 60068-2-6
Test result	10 Hz ... 57 Hz, amplitude ±3.5 mm, 57 Hz ... 150 Hz, 5g
Type of test	Shock in acc. with EN 60068-2-27/IEC 60068-2-27
Test result	30g for 11 ms, three shocks in each spatial direction
Type of test	Continuous shock according to EN 60068-2-27/IEC 60068-2-27
Test result	10g for 16 ms, 1000 shocks in each spatial direction

# Injector - INJ 1010 - 2703007

## Technical data

### Standards and Regulations

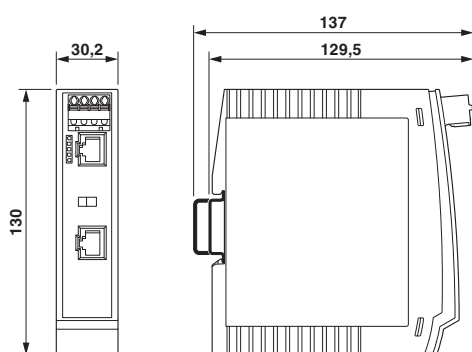
Standards/regulations	EN 61000-4-2
Contact discharge	± 6 kV (Test Level 3)
Indirect discharge	± 6 kV
Standards/regulations	EN 61000-4-3
Frequency range	80 MHz ... 3 GHz (Test Level 3)
Standards/regulations	EN 61000-4-4
Comments	Criterion B
Standards/regulations	EN 61000-4-5
Signal	± 1 kV (Data line, asymmetrical)
	± 2 kV (I/O cable on field side only, asymmetric)
Standards/regulations	EN 61000-6-4
	EN 61000-4-6
Frequency range	0.15 MHz ... 80 MHz
Conformance	CE-compliant
UL, USA/Canada	Class I, Div. 2, Groups A, B, C, D, T4
Noxious gas test	ISA-S71.04-1985 G3 Harsh Group A

### Environmental Product Compliance

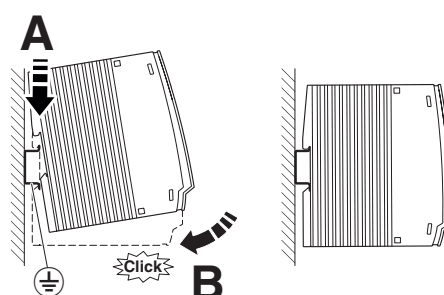
China RoHS	Environmentally Friendly Use Period = 10;
	For details about hazardous substances go to tab "Downloads", Category "Manufacturer's declaration"

## Drawings

Dimensional drawing



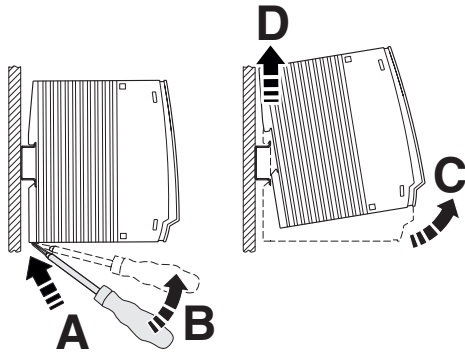
Schematic diagram



Mounting

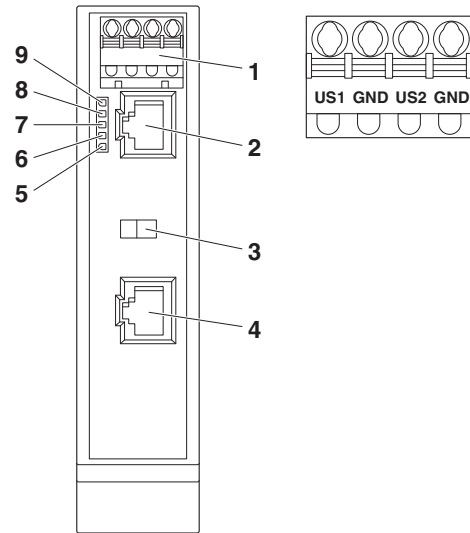
# Injector - INJ 1010 - 2703007

Schematic diagram



Removal

Schematic diagram



Front view

Phoenix Contact 2019 © - all rights reserved  
<http://www.phoenixcontact.com>

PHOENIX CONTACT GmbH & Co. KG  
Flachsmarktstr. 8  
32825 Blomberg  
Germany  
Tel. +49 5235 300  
Fax +49 5235 3 41200  
<http://www.phoenixcontact.com>