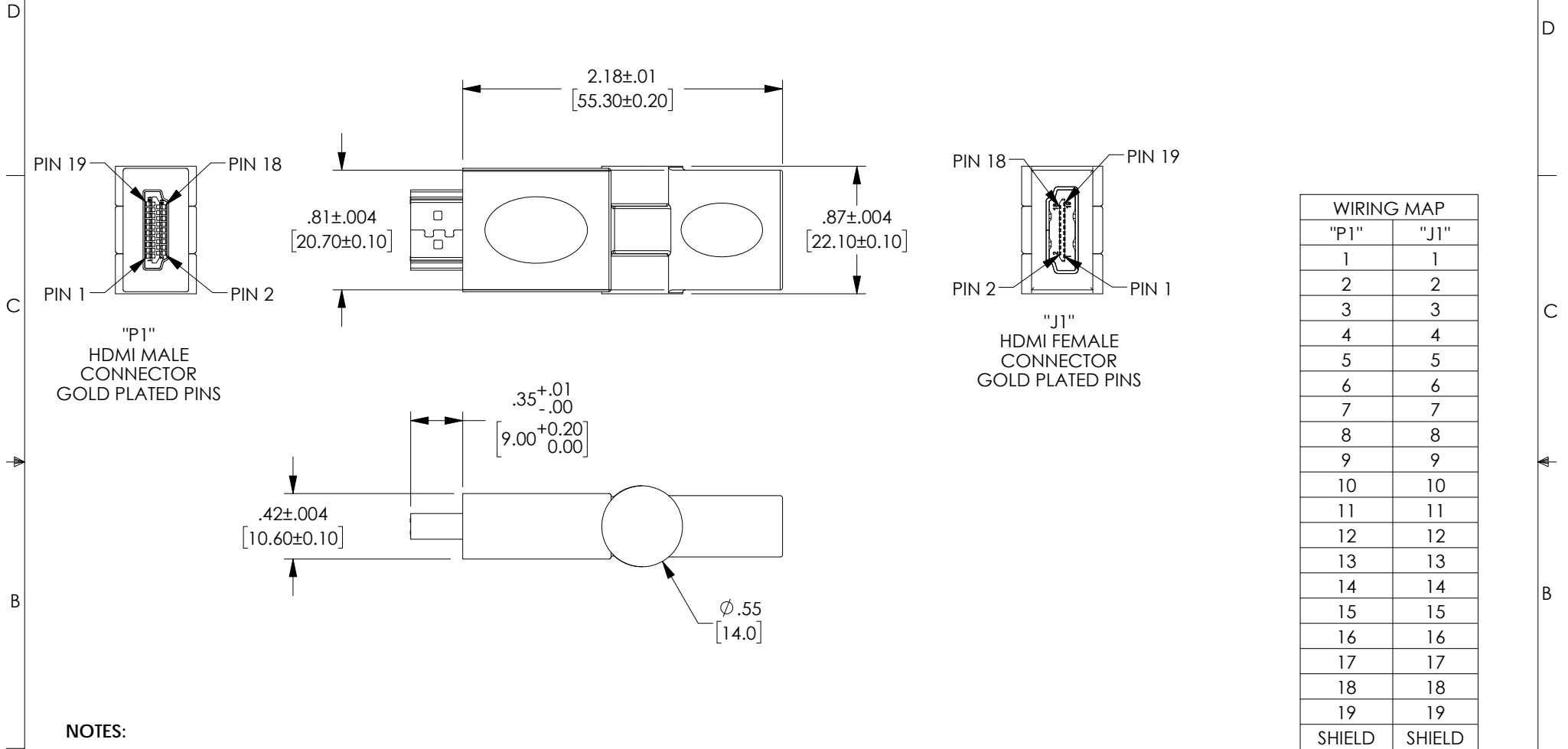


THE INFORMATION CONTAINED IN THIS DRAWING IS THE SOLE PROPERTY OF L-COM, INC. ANY REPRODUCTION IN PART OR WHOLE WITHOUT THE WRITTEN PERMISSION OF L-COM, INC. IS PROHIBITED.

REVISIONS			
REV	DESCRIPTION	DATE	APPROVED
A	REV A DRAWING RELEASED	09/25/2018	DFRISIELLO



WIRING MAP	
"P1"	"J1"
1	1
2	2
3	3
4	4
5	5
6	6
7	7
8	8
9	9
10	10
11	11
12	12
13	13
14	14
15	15
16	16
17	17
18	18
19	19
SHIELD	SHIELD

**NOTES:**

**ELECTRICAL:**  
 VOLTAGE TEST: DC300V 10MS  
 INSULATION RESISTANCE: 5.0M OHM/MIN.  
 CONDUCTOR RESISTANCE: 5.0 OHM/MAX.

1. ALL DIMENSIONS ARE FOR REFERENCE ONLY.
2. ADAPTER SHALL BE TESTED FOR CONTINUITY.
3. ADAPTER SHALL BE INDIVIDUALLY PACKAGED IN ACCORDANCE WITH L-COM SPECIFICATION PS-0031.

**REGULATORY COMPLIANCE:**  
 CE2011/65/EU(RoHS DIRECTIVE)

UNLESS OTHERWISE SPECIFIED, DIMENSIONS ARE IN INCHES [mm] OVERALL CABLE LENGTH TOLERANCE: ≤12 [305] = +1 [25] / -0 >12 [305] ≤60 [1524] = +2 [51] / -0 >60 [1524] ≤120 [3048] = +4 [102] / -0 >120 [3048] ≤300 [7620] = +6 [152] / -0 >300 [7620] = +5% / -0% ALL OTHER DIMENSIONAL TOLERANCES: .X = ±.2 [5.08] .XX = ±.02 [1.51] .XXX = ±.005 [1.13]	APPROVALS DFRISIELLO CHECKED BY ELAMOTT APPROVED BY BGATES	DATE 09/25/2018 09/25/2018 09/25/2018	50 HIGH STREET NORTH ANDOVER, MA 01845	
	CONFIGURATION DETAILS OF UNDIMENSIONED FEATURES MAY VARY			CATEGORY AUDIO/VIDEO
	PROJECTION 	COLOR VARIATIONS MAY OCCUR	SIZE <b>A</b>	FSCM NO. <b>43321</b>
	DWG. NO. <b>VHC00027</b>		SCALE: NONE	CAD FILE: VHC00027.SLDDRW
SHEET 1 OF 1		REV. <b>A</b>		