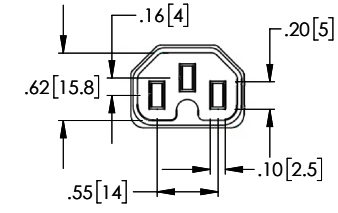
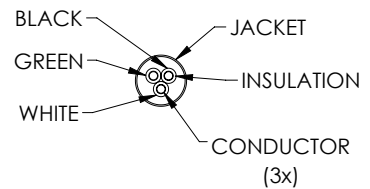
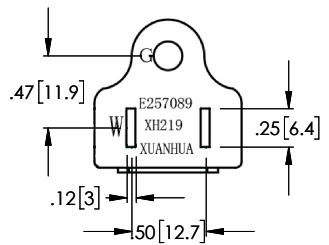
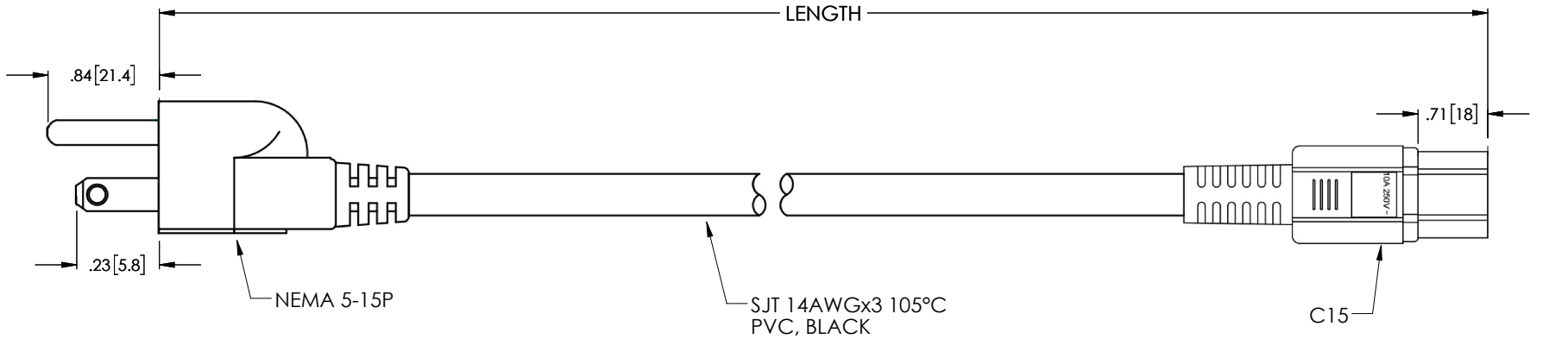


THE INFORMATION CONTAINED IN THIS DRAWING IS THE SOLE PROPERTY OF L-COM, INC. ANY REPRODUCTION IN PART OR WHOLE WITHOUT THE WRITTEN PERMISSION OF L-COM, INC. IS PROHIBITED.

REVISIONS			
REV	DESCRIPTION	DATE	APPROVED
A	REV A DRAWING RELEASED	11/12/2018	BPUCHASKI



PART NUMBER	LENGTH FEET	LENGTH METERS
PPA00014-01F	1	.30
PPA00014-03F	3	.91
PPA00014-06F	6	1.83
PPA00014-10F	10	3.05
PPA00014-15F	15	4.57

**NOTES:**

- VOLTAGE RATING: AC  $\geq$  1500V/S
- CONNECTOR MALE POWER RATING: NEMA 5-15P UL-E257089
- CONNECTOR C15 POWER RATING: 15A UL-E257089
- CABLE: SJT 14AWGx3, 300V, 105°C VW-1 E313867 FT1
- CABLE ASSEMBLY SHALL BE INDIVIDUALLY PACKAGED IN ACCORDANCE WITH SPEC. PS-0031

**REGULATORY COMPLIANCE:**  
CE2011/65/EU (RoHS DIRECTIVE)

UNLESS OTHERWISE SPECIFIED, DIMENSIONS ARE IN INCHES [mm] OVERALL CABLE LENGTH TOLERANCE: ≤12 [305] = +1 [25] / -0 >12 [305] ≤60 [1524] = +2 [51] / -0 >60 [1524] ≤120 [3048] = +4 [102] / -0 >120 [3048] ≤300 [7620] = +6 [152] / -0 >300 [7620] = +5% / -0%	APPROVALS	DATE		50 HIGH STREET NORTH ANDOVER, MA 01845
	DRAWN BY BPUCHASKI	10/29/2018		CATEGORY
ALL OTHER DIMENSIONAL TOLERANCES: .X = ± .2 [5.08] .XX = ± .02 [51] .XXX = ± .005 [13]	CHECKED BY DFRISIELLO	10/29/2018	PRODUCT DESCRIPTION PC/PDU POWER CORD NEMA 5-15P TO C15, 15AMP	
	APPROVED BY BGATES	10/29/2018	SIZE <b>A</b>	FSCM NO. <b>43321</b>
PROJECTION 	CONFIGURATION DETAILS OF UNDIMENSIONED FEATURES MAY VARY		DWG. NO. PPA00014	REV. <b>A</b>
COLOR VARIATIONS MAY OCCUR	SCALE: NONE		CAD FILE: PPA00014.SLDDRW	SHEET 1 OF 1