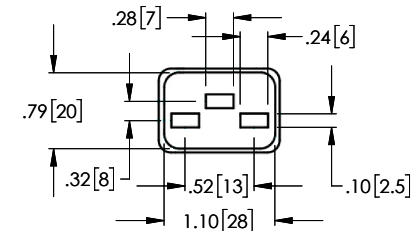
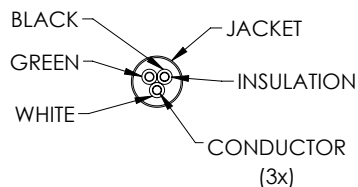
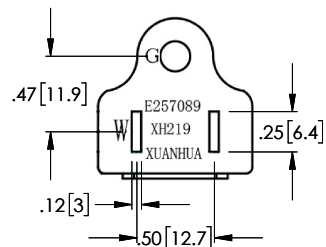
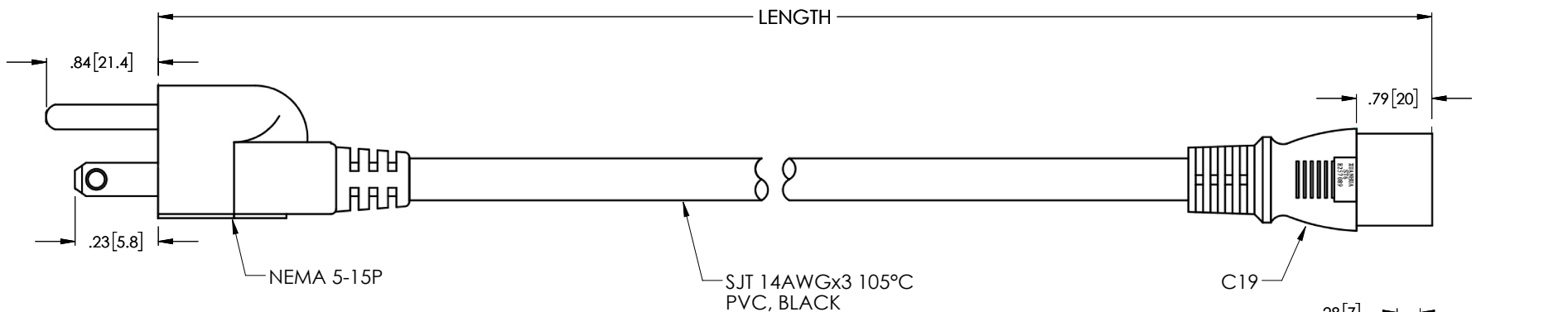


THE INFORMATION CONTAINED IN THIS DRAWING IS THE SOLE PROPERTY OF L-COM, INC. ANY REPRODUCTION IN PART OR WHOLE WITHOUT THE WRITTEN PERMISSION OF L-COM, INC. IS PROHIBITED.

REVISIONS			
REV	DESCRIPTION	DATE	APPROVED
A	REV A DRAWING RELEASED	11/12/2018	BPUCHASKI



PART NUMBER	LENGTH FEET	LENGTH METERS
PPA00012-01F	1	.30
PPA00012-02F	2	.61
PPA00012-03F	3	.91
PPA00012-06F	6	1.83
PPA00012-10F	10	3.05
PPA00012-15F	15	4.57
PPA00012-25F	25	7.62

NOTES:

- VOLTAGE RATING: AC \geq 1500V/S
- CONNECTOR MALE POWER RATING: NEMA 5-15P UL-E257089
- CONNECTOR C19 POWER RATING: 15A UL-E257089
- CABLE: SJT 14AWGx3, 300V, 105°C VW-1 E313867 FT1
- CABLE ASSEMBLY SHALL BE INDIVIDUALLY PACKAGED IN ACCORDANCE WITH SPEC. PS-0031

REGULATORY COMPLIANCE:
CE2011/65/EU(RoHS DIRECTIVE)

UNLESS OTHERWISE SPECIFIED, DIMENSIONS ARE IN INCHES [mm] OVERALL CABLE LENGTH TOLERANCE: ≤12 [305] = +1 [25] / -0 >12 [305] ≤60 [1524] = +2 [51] / -0 >60 [1524] ≤120 [3048] = +4 [102] / -0 >120 [3048] ≤300 [7620] = +6 [152] / -0 >300 [7620] = +5% / -0%	APPROVALS	DATE		50 HIGH STREET NORTH ANDOVER, MA 01845
	DRAWN BY BPUCHASKI	10/29/2018		CATEGORY
ALL OTHER DIMENSIONAL TOLERANCES: .X = ± .2 [5.08] .XX = ± .02 [51] .XXX = ± .005 [1.27]	CHECKED BY DFRISIELLO	10/29/2018	PRODUCT DESCRIPTION	
	APPROVED BY BGATES	10/29/2018	SERVER POWER CORD NEMA 5-15P TO C19, 15AMP	
PROJECTION	CONFIGURATION DETAILS OF UNDIMENSIONED FEATURES MAY VARY	COLOR VARIATIONS MAY OCCUR	SIZE A	FSCM NO. 43321
			DWG. NO. PPA00012	REV. A
			SCALE: NONE	CAD FILE: PPA00012.SLDDRW
				SHEET 1 OF 1