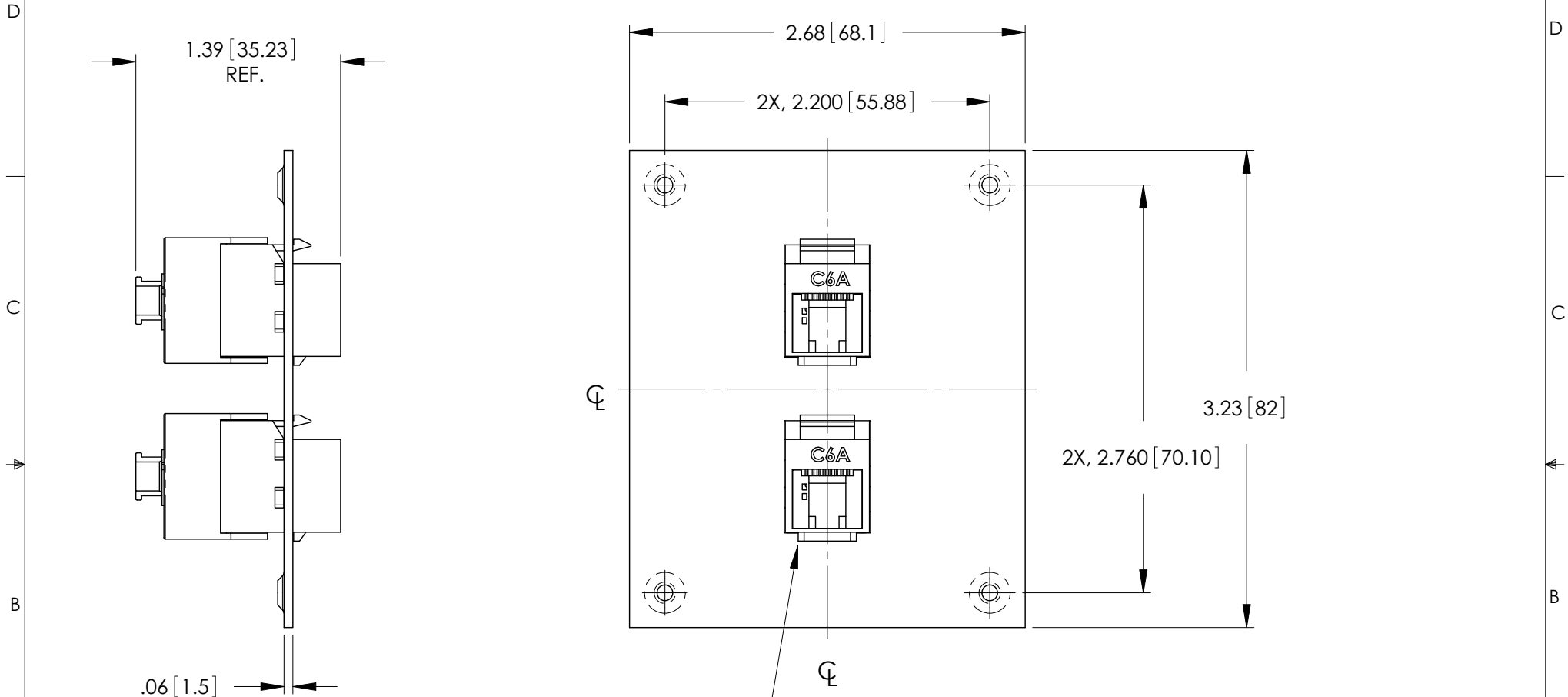


THE INFORMATION CONTAINED IN THIS DRAWING IS THE SOLE PROPERTY OF L-COM, INC. ANY REPRODUCTION IN PART OR WHOLE WITHOUT THE WRITTEN PERMISSION OF L-COM, INC. IS PROHIBITED.

REVISIONS			
REV	DESCRIPTION	DATE	APPROVED
A	REV A DRAWING RELEASED	06/18/2018	BPUCHASKI



2X, CAT 6A SHIELDED KEYSTONE RJ45/TL JACK
(L-COM P/N: RJTLC6AS-POE)

NOTES:

1. PANEL MATERIAL: .06[1.5] THK COLD ROLLED STEEL.
2. PANEL FINISH: FLAT BLACK POWDER COAT.
3. KIT CONTAINS 4, #6-32 UNC SCREWS.
4. PACKAGE IN ACCORDANCE WITH L-COM SPEC. PS-0031

REGULATORY COMPLIANCE:
CE 2011/65/EU(RoHS DIRECTIVE)

UNLESS OTHERWISE SPECIFIED, DIMENSIONS ARE IN INCHES [mm] OVERALL CABLE LENGTH TOLERANCE: ≤12 [305] = +1 [25] / -0 >12 [305] ≤60 [1524] = +2 [51] / -0 >60 [1524] ≤120 [3048] = +4 [102] / -0 >120 [3048] ≤300 [7620] = +6 [152] / -0 >300 [7620] = +5% / -0%	APPROVALS	DATE		50 HIGH STREET NORTH ANDOVER, MA 01845
	DRAWN BY BPUCHASKI	06/18/2018		CATEGORY
ALL OTHER DIMENSIONAL TOLERANCES: .X = ± .2 [5.08] .XX = ± .02 [51] .XXX = ± .005 [13]	CHECKED BY DFRISIELLO	06/18/2018	PRODUCT DESCRIPTION	
	APPROVED BY MMARTINEZ	06/18/2018	SUB PNL/2 C6A RJ45/110 SHD PoE	
PROJECTION 	CONFIGURATION DETAILS OF UNDIMENSIONED FEATURES MAY VARY		SIZE A	FSCM NO. 43321
	COLOR VARIATIONS MAY OCCUR		DWG. NO. USP2MK-SC6A-POE	REV. A
			SCALE: NONE	CAD FILE: USP2MK-SC6A-POE.SLDDRW
			SHEET 1 OF 1	