




Rectangular Connectors GDM-Series GDM 3012 J schwarz/black

Industrial Connecting Solutions:Rectangular Connectors:Valve Connectors (Type A - B -C):Type A:Field Attachable Valve Connectors:Valve Connectors (DIN EN 175 301-803);GDM 3012 J schwarz/black

<https://e-catalog.hirschmann.com:443/link/57078-24228-256261-256266-256270-276215-24311-35721/en/conf/ui/state>

| | |
|--|--|
| Name | GDM 3012 J schwarz/black |
| |  |
| | cable socket not assembled, with central screw M 3 x 35 |
| Delivery informations | |
| Availability | available |
| Product description | |
| Description | cable socket not assembled, with central screw M 3 x 35 |
| Type | GDM 3012 J schwarz/black |
| Order No. | 932 519-100 |
| Number of contacts | 3 + PE |
| Cable gland | 1/2" NPTF |
| Conductor size | max. 1.5 mm ² |
| Standard | DIN EN 175 301-803-A |
| Housing Color | black |
| Construction type | A |
| Technical data | |
| Pin dimensions | 6.3 mm x 0.8 mm, 4.8 mm x 0.8 mm |
| Rated voltage | AC/DC 250 V |
| Rated current | 16 A |
| Contact resistance | <= 4 mOhm |
| Type of termination | screw / cable shoe / cable eye |
| Suitable cables | 4 mm to 11 mm diameter |
| Mounting | central nut |
| Material | |
| Contact surface material | Sn |
| Contact bearer material | PA |
| Housing material | PA |
| Environmental conditions | |
| Protection class (IEC 60529) | IP 65 (gasket necessary) |
| Pollution severity | 3 |
| Temperature range | -40 °C to +125 °C |
| Inflammability class | |
| Housing | 94 V0 |
| Contact bearer | 94 V0 |
| Approvals | |
| UR | UR |
| VDE | VDE |
| SEV | SEV |
| CSA | CSA |
| Packaging unit | |
| Packaging unit | 200 pieces |
| Scope of delivery and accessories | |
| Accessories to order separately | (NBR) flat gasket GDM 3-7, Order no. 730 801-002; (EPDM) flat gasket GDM 3-21, Order no. 731 739-004; profiled gasket GDM 3-16, Order no. 731 531-002; knurled screw GDM 3011-8, Order no. 732 574-001; stainless steel screw GDM 3011 RF-1, Order no. 734 363-001 |

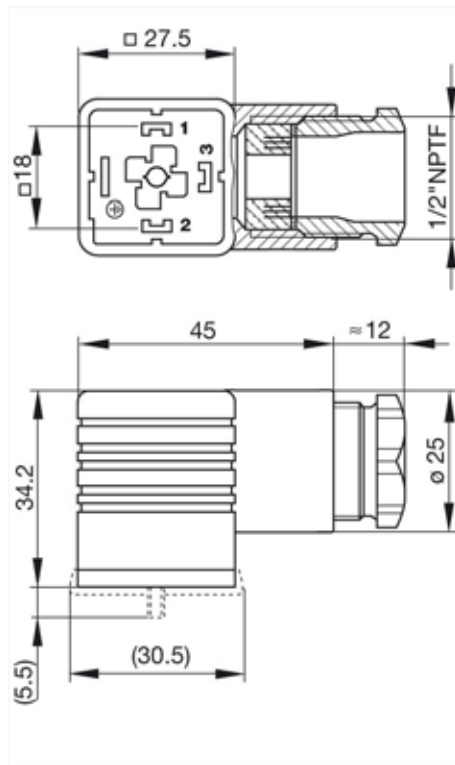
Be Certain with Belden

Rectangular Connectors GDM-Series GDM 3012 J schwarz/black

Industrial Connecting Solutions:Rectangular Connectors:Valve Connectors (Type A -B -C):Type A:Field Attachable Valve Connectors:Valve Connectors (DIN EN 175 301-803):GDM 3012 J schwarz/black
<https://e-catalog.hirschmann.com:443/link/57078-24228-256261-256266-256270-276215-24311-35721/en/conf/ui/state>

Picture

Drawing



Belden Deutschland GmbH
Im Gewerbepark 2
58579 Schalksmühle
Germany
Phone: +49 7127/14-1806
E-Mail: icos-sales@belden.com

The information published in the websites has been compiled as carefully as possible. It is subject to alteration without notice in technical as well as in price-related/commercial respect. The complete information and data were available on user documentation. Mandatory information can only be obtained by a concrete query.