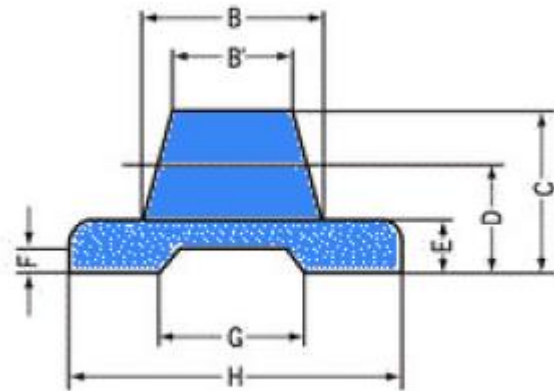
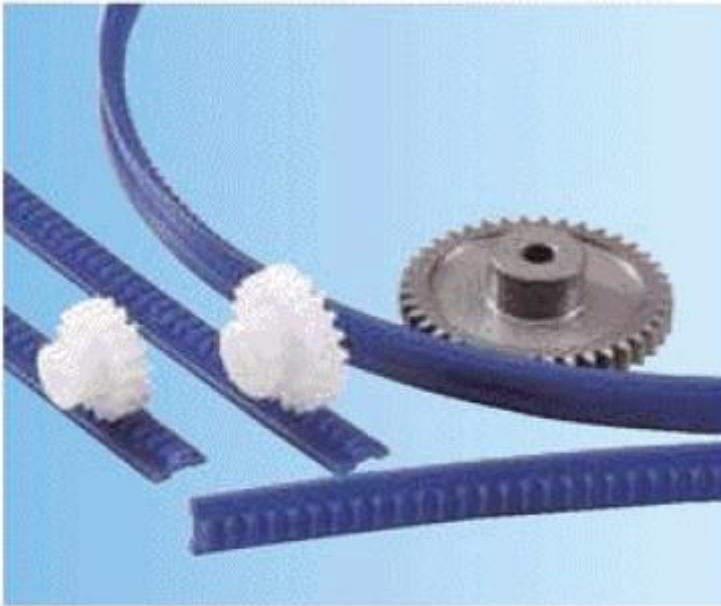


Datasheet

RS Pro 0.8 Mod to 2.0 Mod – 20° p.a. Flexible Metric Racks in Duracon (M25-44)



PFR Flexible Racks – extruded in DURACON M25-44

Stock No	Pitch Module	Std. Length mm.	B mm.	B1 mm.	C mm.	D mm.	E mm.	F mm.	G mm.	H mm.
5217821	0.8	2000	3.8	3	3.3	2.5	1.5	0.7	3.7	8.0
5217837	1.0	2000	5.0	4	4.3	3.3	2.0	0.9	4.9	10.0
1223443	1.5	2000	6.5	5	5.7	4.2	2.3	1.0	8.0	12.0
1223444	2.0	2000	8.0	6	7.0	5.0	2.5	1.1	10.1	15.0

Notes:

Recommended minimum pinion size = 20 teeth, recommended minimum bending radius $\geq 150\text{mm}$.

Maximum working temperature = 100 deg C.

Duracon Flexible Racks are available in 2 metre lengths (+ or – 10 mm) and can easily be cut to the required length.