

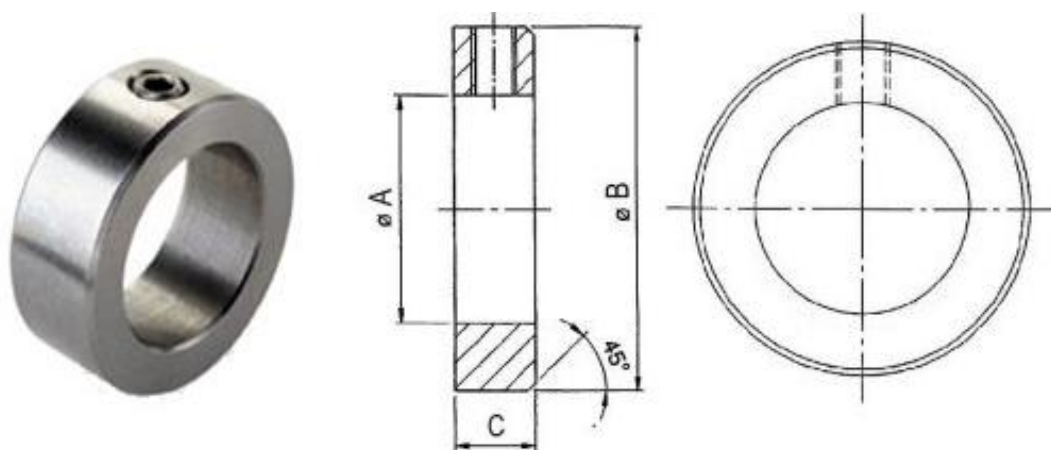


Product Datasheet

ENGLISH

RS Metric Bore Shaft Collars

WHCABUST type manufactured from Stainless steel 304 and supplied with setscrews



Tolerances in mm	
Diameter A (4mm - 13mm)	+ 0.01mm / + 0.06mm
Diameter A (14mm - 80mm)	+ 0.01mm / + 0.08mm
Diameter B	+ 0.127 / - 0.000mm
Length C	+ 0.12mm / - 0.12mm

RS	Description	MPN	Bore A	Diameter B	Width C	Setscrew D
1223448	Stainless Steel Shaft Collar, One Piece, Bore	WHCABU05S	5	10	6	M3
1223449	Stainless Steel Shaft Collar, One Piece, Bore	WHCABU06S	6	12	8	M4
1223450	Stainless Steel Shaft Collar, One Piece, Bore	WHCABU08S	8	16	8	M4
1223451	Stainless Steel Shaft Collar, One Piece, Bore	WHCABU10S	10	20	10	M5
1223452	Stainless Steel Shaft Collar, One Piece, Bore	WHCABU12S	12	22	12	M6
1223453	Stainless Steel Shaft Collar, One Piece, Bore	WHCABU14S	14	25	12	M6
1223454	Stainless Steel Shaft Collar, One Piece, Bore	WHCABU15S	15	25	12	M6
1223455	Stainless Steel Shaft Collar, One Piece, Bore	WHCABU16S	16	28	12	M6
1223456	Stainless Steel Shaft Collar, One Piece, Bore	WHCABU18S	18	32	14	M6
1223457	Stainless Steel Shaft Collar, One Piece, Bore	WHCABU20S	20	32	14	M6
1223458	Stainless Steel Shaft Collar, One Piece, Bore	WHCABU22S	22	36	14	M6
1223459	Stainless Steel Shaft Collar, One Piece, Bore	WHCABU24S	24	40	16	M8
1223460	Stainless Steel Shaft Collar, One Piece, Bore	WHCABU25S	25	40	16	M8
1223461	Stainless Steel Shaft Collar, One Piece, Bore	WHCABU30S	30	45	16	M8
1223462	Stainless Steel Shaft Collar, One Piece, Bore	WHCABU32S	32	50	16	M8