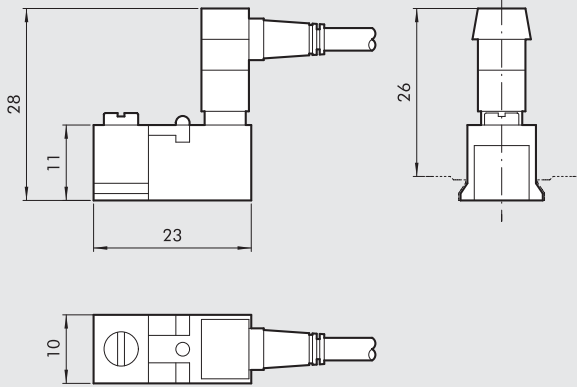


SENSOR SERIE DCB

ACTUATORS

SENSOR SERIE DCB

SENSOR SERIE DCB

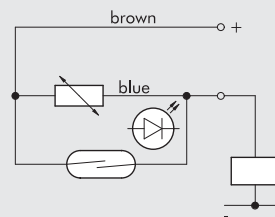


Code	Bore	Model	Version
W0950000252	12 to 100	REED sensor DCB 2C-425	Reed connector + bracket - CB
W0950000253	12 to 100	HALL PNP sensor DCB3-N225	Hall PNP connector + bracket - CB
W0950014360	12 to 100	HALL NPN sensor DCB3-M225	Hall NPN connector + bracket - CB

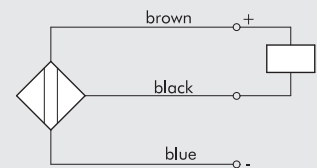
TECHNICAL DATA SERIE DCB

Type	REED + VARISTOR + LED 2 WIRES	HALL VERSION PNP/NPN 3 WIRES
Contact	REED + VARISTOR + LED NO	HALL EFFECT NO PNP/NPN
Max AC/DC voltage	V 3 to 48 (DC); 3 to 110 (AC)	6-30 V DC
Max current at 25°C	mA 300	250
Power with inductive load	VA 8	-
Power with resistive load	Watt 15	6
Switch-on time	m sec 0.5	0.8
Switch-off time	m sec 0.1	3
Switch-on point	Gauss 110	15
Switch-off point	Gauss 60	8
Operating life	10 ⁷ impulses	10 ⁹ impulses
Contact resistance	0.1	-
Cable length	m 2.5	2.5
Cable cross section	mm ² 0.35	0.35
Cable material	Soft PVC	Soft PVC
Circuit		

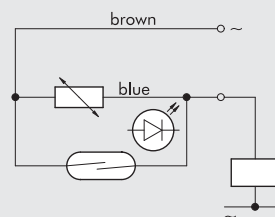
DC



Version NPN



AC



Version PNP

