

	1	2	3	4	5	6	7	8
POSITIONS	02 PIN	03 PIN	04 PIN	05 PIN	06 PIN	07 PIN	08 PIN	09 PIN
VIEW FROM TERMINATION SIDE PIN PART								

NOTE:

- MATERIAL AND FINISH
 - SHELL ASSEMBLY: COPPER ALLOY, OUTER SHELL AND COLLET NUT Cr PLATING, OTHER METALLIC COMPONENTS NI PLATING
 - INSULATOR: PEEK
 - CONTACT: COPPER ALLOY, GOLD PLATING
- RoHS COMPLIANCE
- CRIMP CONTACT DETAILS SHOWN IN VIEW 1
- PART NO.

R - F 0 B S * * 0 * D 1 * * *

CONTACT POS.	CABLE OD
02-09=2pin-09pin	21=OD:1.4mm-2.2mm
SHELL MATERIAL	31=OD:2.2mm-3.2mm
0=Brass	42=OD:3.2mm-4.2mm
	52=OD:4.1mm-5.0mm
	56=OD:5.2mm-5.6mm

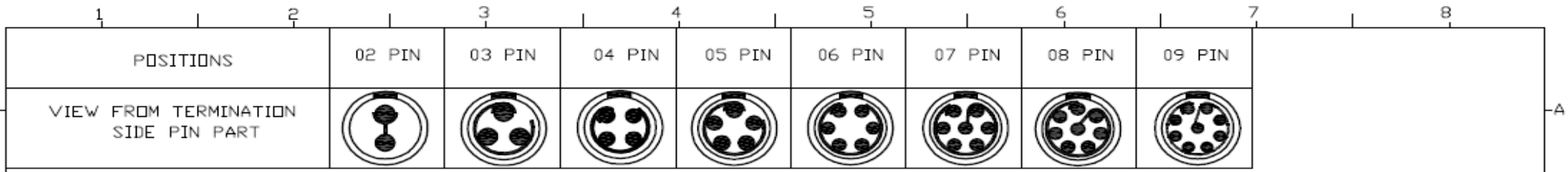
CODE	CONTACT TYPE
2	Male Solder Contact
4	Female Solder Contact
<input checked="" type="checkbox"/> C	Crimp Male Contact
<input checked="" type="checkbox"/> M	Crimp Female Contact
1	Male Print Contact
3	Female Print Contact

CODE	KEY ANGLES
0	0
A	30°
B	60°
..	..

COLLET NUT	
1=Nut for fitting a bend relief	

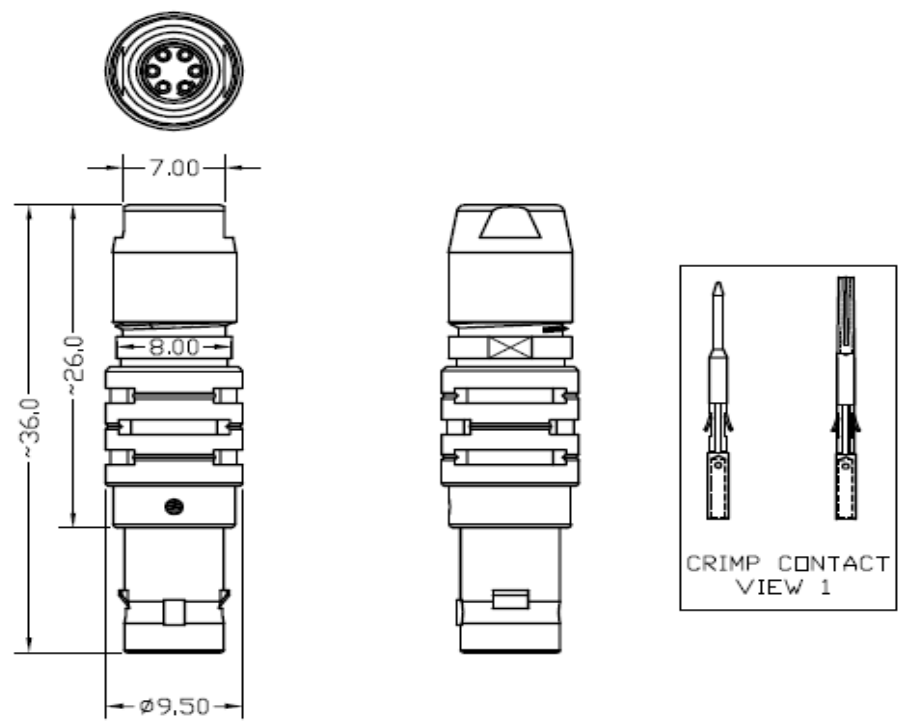
UNITS		NAME: SNAP LATCH METAL 08 PLUG	
<input checked="" type="checkbox"/> mm	<input type="checkbox"/> INCH	D1***	
GENERAL TOLERANCES: (UNLESS SPECIFIED)			
	mm	INCH	TITLE: CUSTOMER DWG.
4 PLACE	± **.05	± **.002	APPD: Seawen 5/13'15
3 PLACE	± 0.10	± **.005	CHKD: Peter 5/13'15
2 PLACE	± 0.30	± **.015	DRAWN: Alex 5/13'15
1 PLACE	± 0.50	± **.030	
ANGULAR:	X°± 2°	X°± **.005	

REV.	DESCRIPTION	DATE	APPD
A	ECN-150053	5/13'15	Seawen



NOTE:

1. MATERIAL AND FINISH
 - 1.1. SHELL ASSEMBLY: COPPER ALLOY, OUTER SHELL AND COLLET NUT Cr PLATING, OTHER METALLIC COMPONENTS NI PLATING
 - 1.2. INSULATOR: PEEK
 - 1.3. CONTACT: COPPER ALLOY, GOLD PLATING
2. RoHS COMPLIANCE
3. CRIMP CONTACT DETAILS SHOWN IN VIEW 1
4. PART NO.



R - F 0 B S * * 0 * D 2 * * *

CONTACT POS.	02-09=2pin-09pin
SHELL MATERIAL	0=Brass

CABLE OD	
21=OD:	1.4mm-2.2mm
31=OD:	2.2mm-3.2mm
42=OD:	3.2mm-4.2mm
52=OD:	4.1mm-5.0mm
56=OD:	5.2mm-5.6mm

CODE	KEY ANGLES
0	0
A	30°
B	60°
..	..

COLLET NUT	
2=	Nut for Standard

CODE	CONTACT TYPE
2	Male Solder Contact
4	Female Solder Contact
<input checked="" type="checkbox"/> C	Crimp Male Contact
<input checked="" type="checkbox"/> M	Crimp Female Contact
1	Male Print Contact
3	Female Print Contact

UNITS		
<input checked="" type="checkbox"/> mm	<input type="checkbox"/> INCH	
GENERAL TOLERANCES: (UNLESS SPECIFIED)		
	mm	INCH
4 PLACE	± **.05	± **.002
3 PLACE	± 0.10	± **.004
2 PLACE	± 0.30	± **.012
1 PLACE	± 0.50	± **.020
ANGULAR:	X°± 2°	X°± **.087

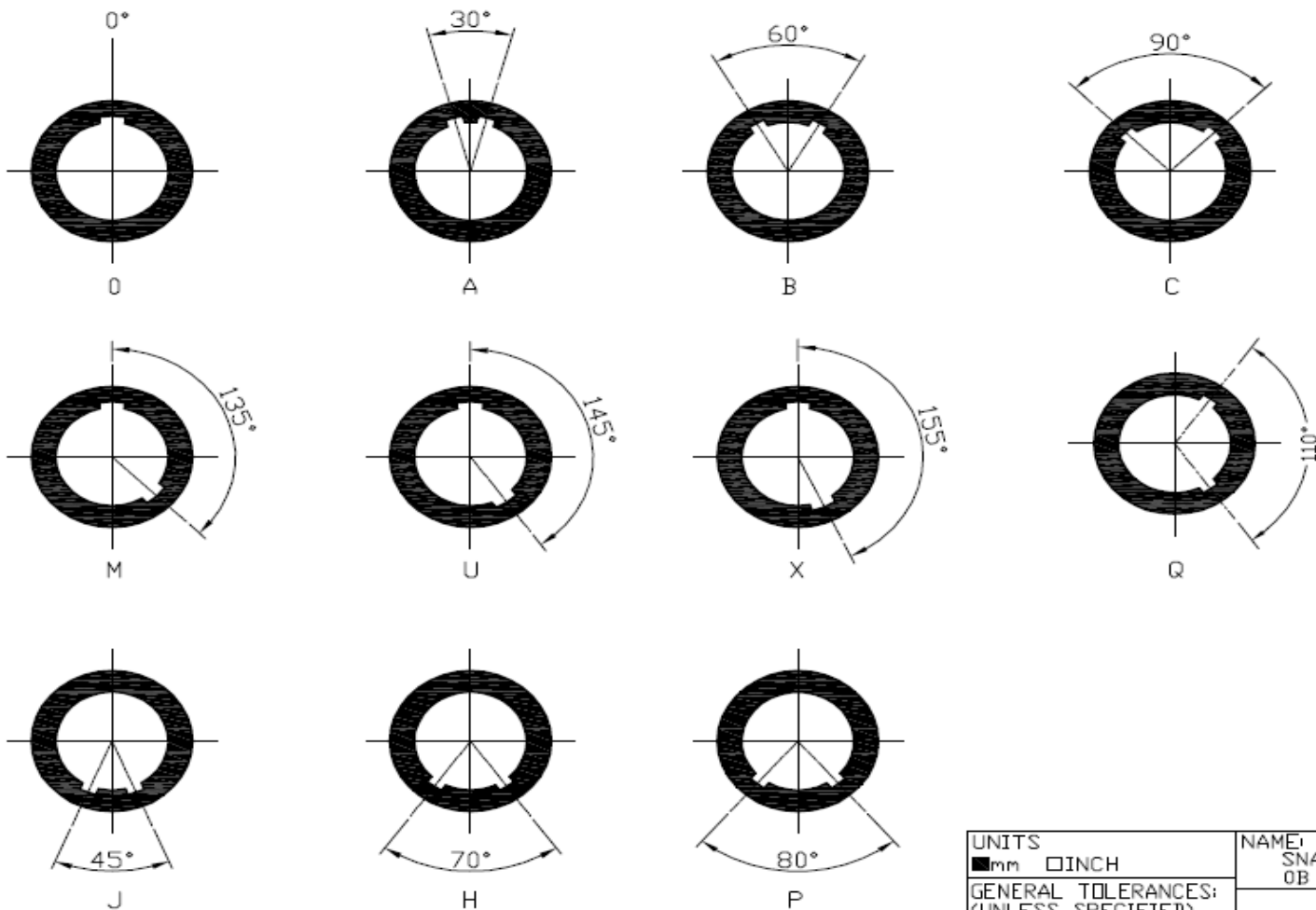
NAME: SNAP LATCH METAL 0B PLUG
D2***
APPD: Seawen 5/13'15
CHKD: Peter 5/13'15
DRAWN: Alex 5/13'15

TITLE: CUSTOMER DWG.		
DWG NO: 010-0000-B20		C
SCALE: 2.5/1	SHEET: 2/3	REV.: A

A	ECN-150053	5/13'15	Seawen
REV.	DESCRIPTION	DATE	APPD



KEY ANGLES (RECEPTACLE FRONT VIEW):



A	ECN-150053	5/13/15	Seawen
REV.	DESCRIPTION	DATE	APPD

UNITS <input checked="" type="checkbox"/> mm <input type="checkbox"/> INCH		NAME: SNAP LATCH METAL OB PLUG	
GENERAL TOLERANCES: (UNLESS SPECIFIED)		TITLE: CUSTOMER DWG.	
4 PLACE	± **.05	± **.05	APPD: Seawen 5/13/15
3 PLACE	± 0.10	± **.05	
2 PLACE	± 0.30	± **.05	CHKD: Peter 5/13/15
1 PLACE	± 0.50	± **.05	DRAWN: Alex 5/13/15
ANGULAR:	X° ± 2°	X° ± **.05	
		SCALE: 2.5/1	DWG NO: 010-0000-B20
		SHEET: 3/3	REV.: A