

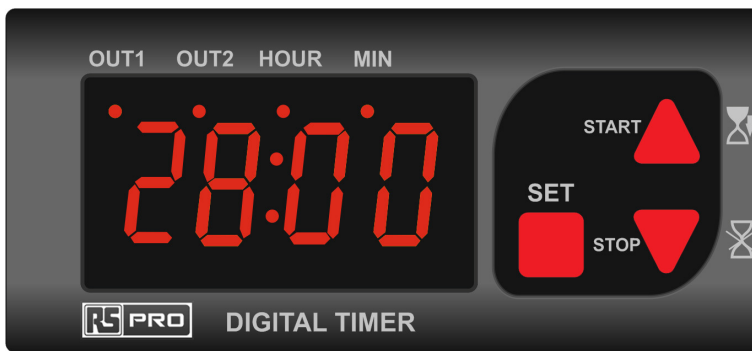


ENGLISH

Datasheet

Stock No: 1241078

RS Pro 35 x 77mm Digital Timer



At a glance

- 35x77mm size.
- 9 Timer modes
- Two timed control outputs
- External start, reset and hold digital input
- Start/stop/reset control from front panel
- HH:MM or MM:SS

Overview

The RS Pro Digital Timer is fully adjustable with nine timer modes and designed for easy integration within a control installation to fit the user's needs.

Key Features

- External start, reset, and gate inputs
- Scale 0:01 99:59 minutes/seconds
0:01 99:59 hours/minutes
- 9 timer modes
- Time remaining displayed
- Start and stop process can be controlled by the front panel or digital inputs
- 8 different warning tones
- Upper and lower setting limits
- CE marked



ENGLISH

Specifications

Environmental Conditions

Ambient / Storage Temperature	0 ... +50°C/-25 ... +70°C
Relative humidity	Max. humidity 80% for temperatures up to 31°C decreasing linearly to 50% relative humidity at 40°C.
Protection Class	According to EN60529; Front panel : IP65 Rear Panel : IP20
Height	Max. 2000m

Electrical Characteristics

Supply	230V AC \pm 10%, 50/60Hz or 24V AC/DC \pm 10%, 50/60Hz
Power Consumption	Max. 7VA
Wiring	2.5mm ² screw-terminal
Scale	Selectable 99:59 min. or hour.
Sensitivity	1 second.
Time Accuracy	\pm 1%
Indicator	4 digits, 12.5mm, 7 segment red LED
EMC	EN 61326-1 : 2013 (Performance criterion B is satisfied for EN 61000-4-3)
Safety Requirements	EN 61010-1 : 2010 (Pollution degree 2, overvoltage category II)

Outputs

Out	2 Relays: 250V AC, 8A (for resistive load), NO and NC control output.
Life Expectancy for Relay	30.000.000 Switching for no-load operation; 300.000 switching for 8A resistive load at 250VAC.

Start Input

Input Type	Mechanical contact (Minimum = 50ms)
-------------------	-------------------------------------

Reset Input

Input Type	Mechanical contact (Minimum = 50ms)
-------------------	-------------------------------------

Gate Input

Input Type	Mechanical contact (Minimum = 50ms)
-------------------	-------------------------------------

Housing

Housing Type	Suitable for flush-panel mounting according to DIN 43 700.
Dimensions	H35xW77xD71mm
Weight	Approx. 198g (After packing)
Enclosure Material	Self extinguishing plastics.



ENGLISH

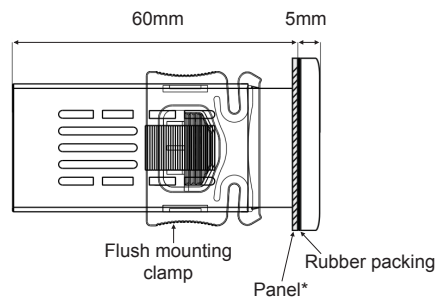
Dimensions

Front Fascia 35 x 77mm.

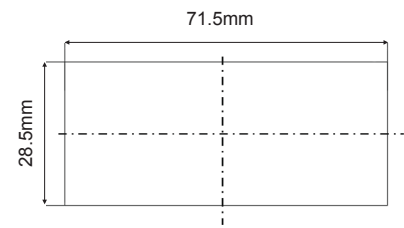
Front



Depth



Panel cut-out



*Panel thickness should be maximum 7mm.

Ordering

Stock Number

1241077

1241078

Supply Voltage

100-230V ac

24V ac/dc

Number Outputs

2 x Relay

2 x Relay