



Datasheet

ENGLISH

Stock No: 125-1075

RS Pro DC Socket 2.5 mm, 2A, Surface Mount



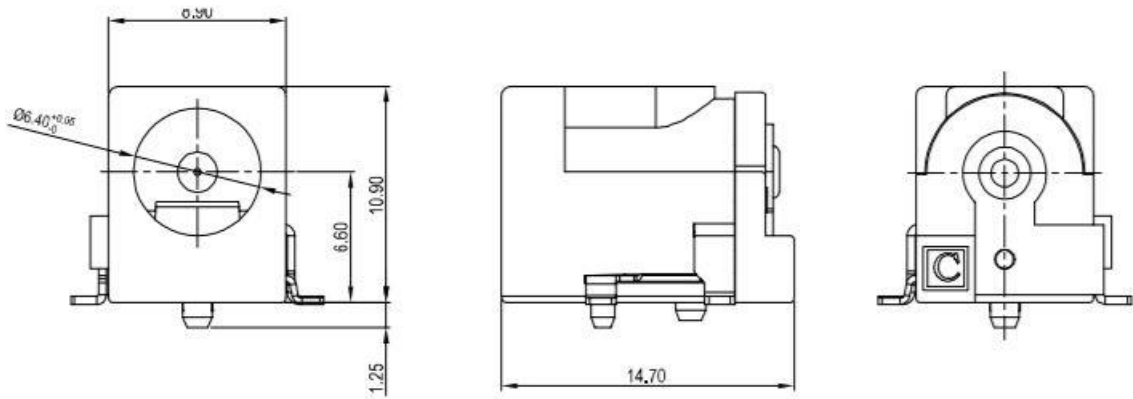
Specifications:

From RS Pro, this surface-mounted socket couples with Push Fit DC electric plugs. It is perfect for powering small appliances such as portable radios. This particular power socket accepts both 2.1 mm and 2.5 mm plugs, making it perfect for your application. All models are highly reliable and excellent quality.

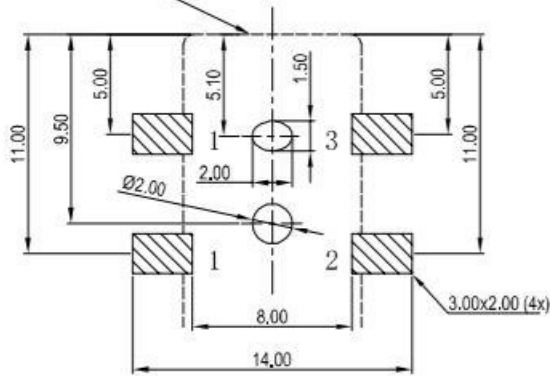


ENGLISH

Specifications	
Current Rating:	2A
Voltage Rating:	12 V dc
Contact Material:	Brass, Phosphor Bronze
Width:	10.9 mm
Length:	8.9 mm
Pin Diameter:	2.1 mm, 2.5 mm
Body Orientation:	Straight



FRONT FACE



PCB LAYOUT
COMPONENT SIDE

