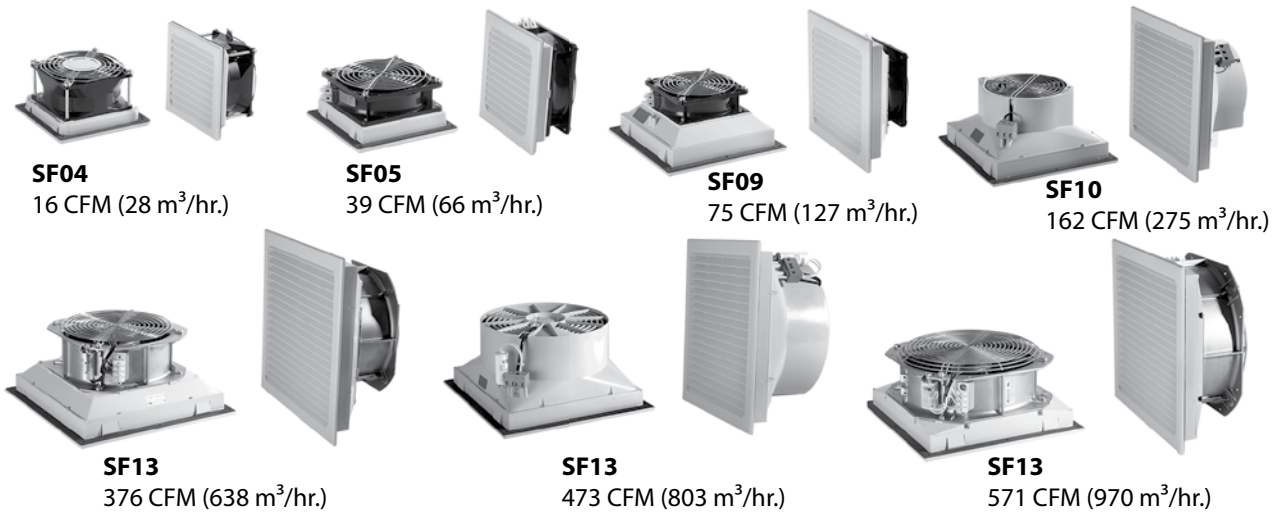


SF Side-Mount



Industry Standards

UL/cUL recognized; File No. 235470

CE, CSA (fan motor only)
Type 12, IP54 standard
Type 12, IP 55 optional

Application

- Industrial automation
- Automotive assembly
- Package handling equipment
- Food and beverage process controls
- Wind energy systems

Features

- Click-fit design quickly installs into enclosure wall; no tools or screws required
- Simple snap-open grille for easy filter replacement
- Enclosure side wall mounting
- Reverse airflow option on SF13 models available to push/pull air through higher static pressure
- Standard foam-in-place gasket
- Similar cut-out sizes as other filter fan manufacturers
- Terminal wire connections
- Optional thermostat available to save energy and extend service life

Specifications

- Size range from 4 in. (102 mm) to 13 in. (325 mm)
- Free air flow from 16 CFM (28 m³/hr.) to 571 CFM (970 m³/hr.)
- Service life hours from 40000 to 70000 hours
- Operating temperature range from -4 F/-20 C to 149 F/65 C

Finish

- RAL 7035 light-gray, UV-resistant plastic standard
- RAL 9011 black, UV-resistant plastic optional

Accessories

- Replacement filters
- Thermostat
- Rain shroud

Notes

Visit www.McLeanCoolingTech.com to download 2D and 3D CAD drawings into the overall design of your electronic system.

Filter Fans

Performance Data **SF04 16 CFM (28 m³/hr.) Side-Mount Filter Fan**

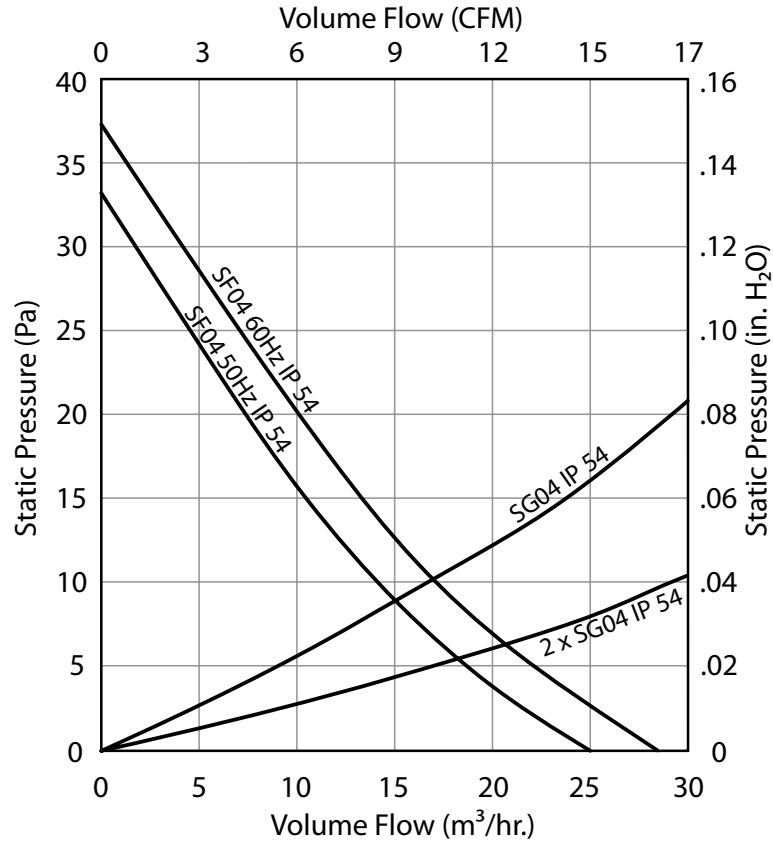
ELECTRICAL DATA				
Rated Voltage	115	230	24	48
Frequency (Hz)	50 / 60	50 / 60	—	—
Nominal Current Maximum (Amps)	1.40/1.20	0.70	1.00	0.54
Power Consumption Maximum (Watts)	12 / 11	12	2.2	2.6
Power Connection	Terminal Block			
TYPE 12 / IP54 FILTER FANS				
RAL 7035 Light Gray:				
Catalog Number	SF0416414	SF0426414	SF0424414	SF0448414
RAL 9011 Black:				
Catalog Number	SF0416413	SF0426413	SF0424413	SF0448413
Free Airflow (CFM / m ³ /hr.)	16 / 28	16 / 28	16 / 28	16 / 28
Airflow with 1 Exhaust Grille (CFM / m ³ /hr.)	10/17	10/17	10/17	10/17
Airflow with 2 Exhaust Grilles (CFM / m ³ /hr.)	12/21	12 / 21	12 / 21	12 / 21
FILTER FAN UNIT CONSTRUCTION				
Fan RPM	2700 / 3200	2700 / 3200	3300	3300
Sound Pressure (dBA)	30	30	36	36
Operating Temperature Range:				
Maximum (°F / °C)	131 / 55	131 / 55	149 / 65	149 / 65
Minimum (°F / °C)	14 / -10	14 / -10	-4 / -20	-4 / -20
Service Life (hours)	37,500	37,500	70,000	70,000
Unit Dimensions - H x W x D (in. / mm)	4.13 x 4.13 x 2.17 / 105 x 105 x 55			
Cutout Dimensions - H x W (in. / mm)	3.62 x 3.62 / 92 x 92			
Weight (lb. / kg)	.73 / .33			
TYPE 12 / IP54 EXHAUST GRILLES				
RAL 7035 Light Gray:				
Catalog Number	SG0400404			
RAL 9011 Black:				
Catalog Number	SG0400403			
ACCESSORIES				
Replacement Filters:				
Type 12 / IP54 Catalog Number	10100059H			
Thermostat Catalog Number	TWR60			

Above airflow rates at 60 Hz; see performance curves for airflow at 50 Hz and more details.

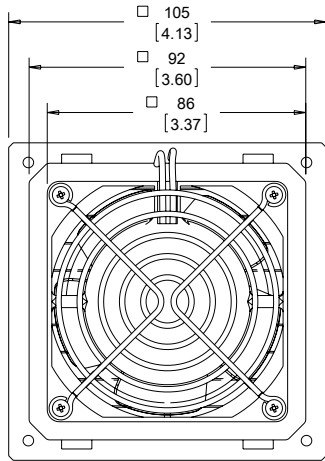
Unit depth is from the back edge of the grille to the back of the fan.

Exhaust Grilles sold separately.

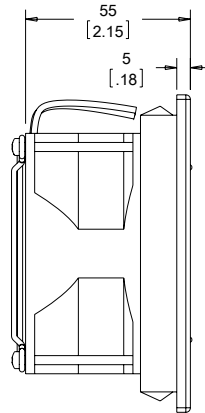
SF04 16 CFM (28 m³/hr.) Side-Mount Filter Fan
Performance Curve



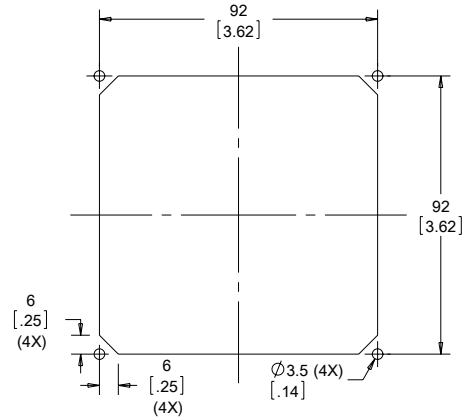
Filter Fan, SF04 16 CFM (28m³/hr.)



BACK VIEW

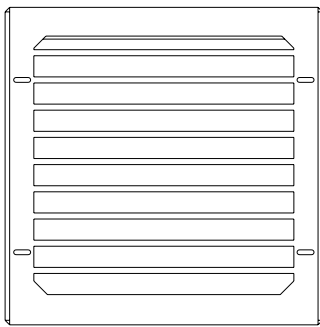


SIDE VIEW

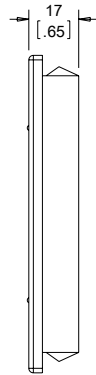


CUTOUT DIMENSIONS

EXHAUST GRILLE



Order Exhaust Grille Kits separately



89051142

Visit www.McLeanCoolingTech.com to download 2D and 3D CAD drawings into the overall design of your electronic system.

Performance Data **SF05 39 CFM (66 m³/hr.) Side-Mount Filter Fan**

ELECTRICAL DATA				
Rated Voltage	115	230	24	48
Frequency (Hz)	50 / 60	50 / 60	—	—
Nominal Current Maximum (Amps)	0.23	0.11	0.17	0.08
Power Consumption Maximum (Watts)	20	20	4.1	3.5
Power Connection	Terminal Block			
TYPE 12 / IP54 FILTER FANS RAL 7035 Light Gray:				
RAL 7035 Light Gray:				
Catalog Number	SF0516414	SF0526414	SF0524414	SF0548414
RAL 9011 Black:				
Catalog Number	SF0516413	SF0526413	SF0524413	SF0548413
Free Airflow (CFM / m ³ /hr.)	39 / 66	39 / 66	39 / 66	39 / 66
Airflow with 1 Exhaust Grille (CFM / m ³ /hr.)	26 / 44	26 / 44	26 / 44	26 / 44
Airflow with 2 Exhaust Grilles (CFM / m ³ /hr.)	30 / 51	30 / 51	30 / 51	30 / 51
TYPE 12 / IP55 FILTER FANS				
RAL 7035 Light Gray:				
RAL 7035 Light Gray:				
Catalog Number	SF0516514	SF0526514	SF0524514	SF0548514
RAL 9011 Black:				
Catalog Number	SF0516513	SF0526513	SF0524513	SF0548513
Free Airflow (CFM / m ³ /hr.)	36 / 61	36 / 61	36 / 61	36 / 61
Airflow with 1 Exhaust Grille (CFM / m ³ /hr.)	24 / 40	24 / 40	24 / 40	24 / 40
Airflow with 2 Exhaust Grilles (CFM / m ³ /hr.)	28 / 47	28 / 47	28 / 47	28 / 47
FILTER FAN UNIT CONSTRUCTION				
Fan RPM	2650 / 3100	2650 / 3100	3050	3050
Sound Pressure (dBA)	42	42	42	42
Operating Temperature Range:				
Maximum (°F / °C)	131 / 55	131 / 55	149 / 65	149 / 65
Minimum (°F / °C)	14 / -10	14 / -10	-4 / -20	-4 / -20
Service Life (hours)	27,500	27,500	50,000	50,000
Unit Dimensions - H x W x D (in. / mm)	5.83 x 5.83 x 2.56 / 148 x 148 x 65			
Cutout Dimensions - H x W (in. / mm)	4.92 x 4.92 / 125 x 125			
Weight (lb. / kg)	1.19 / .54			
TYPE 12 / IP54 EXHAUST GRILLES				
RAL 7035 Light Gray:				
Catalog Number	SG0500404			
RAL 9011 Black:				
Catalog Number	SG0500403			
TYPE 12 / IP55 EXHAUST GRILLES				
RAL 7035 Light Gray:				
Catalog Number	SG0500504			
RAL 9011 Black:				
Catalog Number	SG0500503			
ACCESSORIES				
Replacement Filters:				
Type 12 / IP54 Catalog Number	10100060			
Type 12 / IP55 Catalog Number	10100064H			
Thermostat Catalog Number	TWR60			
Stainless Steel Washdown Shroud Catalog Number	SH0500005			

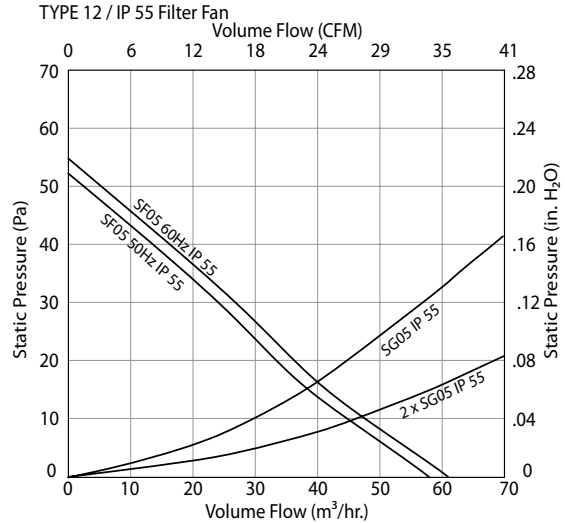
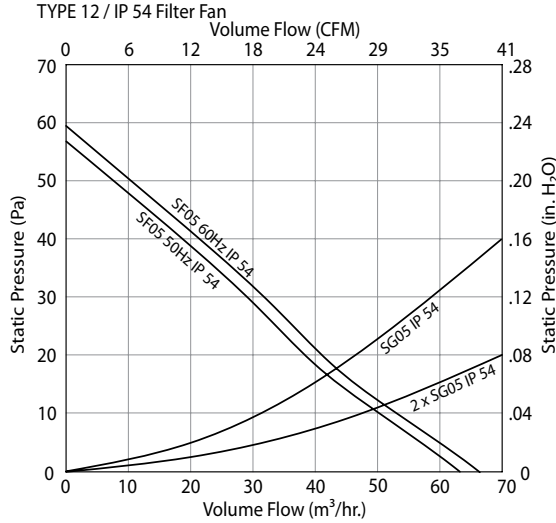
Above airflow rates at 60 Hz; see performance curves for airflow at 50 Hz and more details.

Unit depth is from the back edge of the grille to the back of the fan.

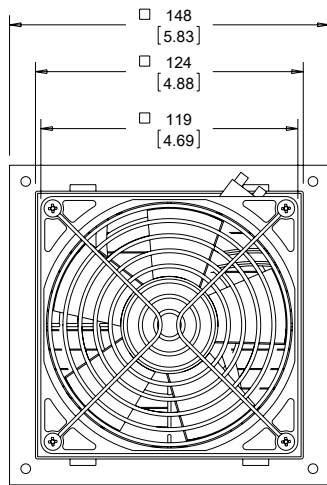
Exhaust Grilles sold separately.

Filter Fans

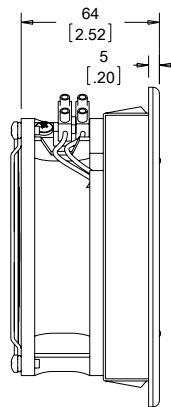
SF05 39 CFM (66 m³/hr.) Side-Mount Filter Fan Performance Curve



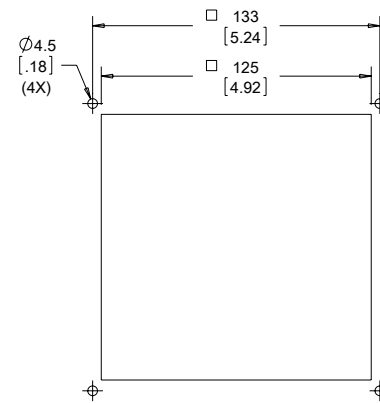
Filter Fan SF05 39 CFM (66 m³/hr.)



BACK VIEW

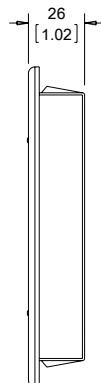
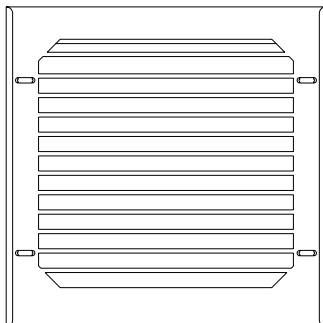


SIDE VIEW



CUTOUT DIMENSIONS

EXHAUST GRILLE



89051216

Order Exhaust Grille Kits separately

Visit www.McLeanCoolingTech.com to download 2D and 3D CAD drawings into the overall design of your electronic system.

Performance Data **SF09 75 CFM (127 m³/hr.) Side-Mount Filter Fan**

ELECTRICAL DATA				
Rated Voltage	115	230	24	48
Frequency (Hz)	50 / 60	50 / 60	—	—
Nominal Current Maximum (Amps)	0.23	0.11	0.17	0.08
Power Consumption Maximum (Watts)	20	20	4.1	3.5
Power Connection	Terminal Block			
TYPE 12 / IP54 FILTER FANS				
RAL 7035 Light Gray:				
Catalog Number	SF0916414	SF0926414	SF0924414	SF0948414
RAL 9011 Black:				
Catalog Number	SF0916413	SF0926413	SF0924413	SF0948413
Free Airflow (CFM / m ³ /hr.)	75 / 127	75 / 127	75 / 127	75 / 127
Airflow with 1 Exhaust Grille (CFM / m ³ /hr.)	59 / 100	59 / 100	59 / 100	59 / 100
Airflow with 2 Exhaust Grilles (CFM / m ³ /hr.)	67 / 114	67 / 114	67 / 114	67 / 114
TYPE 12 / IP55 FILTER FANS				
RAL 7035 Light Gray:				
Catalog Number	SF0916514	SF0926514	SF0924514	SF0948514
RAL 9011 Black:				
Catalog Number	SF0916513	SF0926513	SF0924513	SF0948513
Free Airflow (CFM / m ³ /hr.)	70 / 118	70 / 118	70 / 118	70 / 118
Airflow with 1 Exhaust Grille (CFM / m ³ /hr.)	54 / 92	54 / 92	54 / 92	54 / 92
Airflow with 2 Exhaust Grilles (CFM / m ³ /hr.)	62 / 106	62 / 106	62 / 106	62 / 106
FILTER FAN UNIT CONSTRUCTION				
Fan RPM	2650 / 3100	2650 / 3100	3050	3050
Sound Pressure (dBA)	51	51	51	51
Operating Temperature Range:				
Maximum (°F / °C)	131 / 55	131 / 55	149 / 65	149 / 65
Minimum (°F / °C)	14 / -10	14 / -10	-4 / -20	-4 / -20
Service Life (hours)	27,500	27,500	50,000	50,000
Unit Dimensions - H x W x D (in. / mm)	8.03 x 8.03 x 3.54 / 204 x 204 x 90			
Cutout Dimensions - H x W (in. / mm)	6.97 x 6.97 / 177 x 177			
Weight (lb. / kg)	1.74 / .79			
TYPE 12 / IP54 EXHAUST GRILLES				
RAL 7035 Light Gray:				
Catalog Number	SG0900404			
RAL 9011 Black:				
Catalog Number	SG0900403			
TYPE 12 / IP55 EXHAUST GRILLES				
RAL 7035 Light Gray:				
Catalog Number	SG0900504			
RAL 9011 Black:				
Catalog Number	SG0900503			
ACCESSORIES				
Replacement Filters:				
Type 12 / IP54 Catalog Number	10100061			
Type 12 / IP55 Catalog Number	10100065H			
Thermostat Catalog Number	TWR60			
Stainless Steel Washdown Shroud Catalog Number	SH0900005			

Above airflow rates at 60 Hz; see performance curves for airflow at 50 Hz and more details.

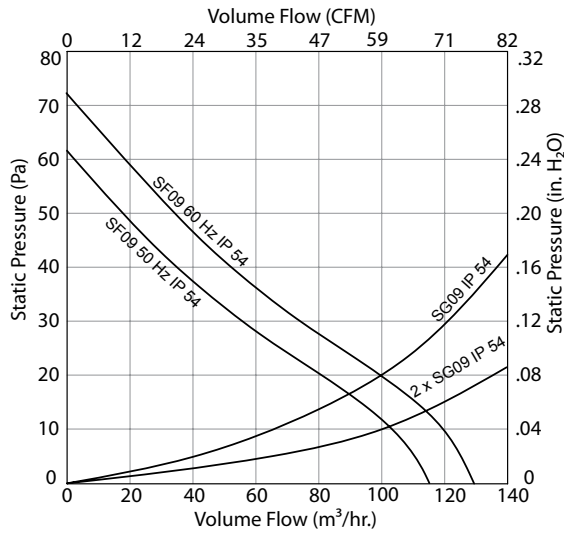
Unit depth is from the back edge of the grille to the back of the fan.

Exhaust Grilles sold separately.

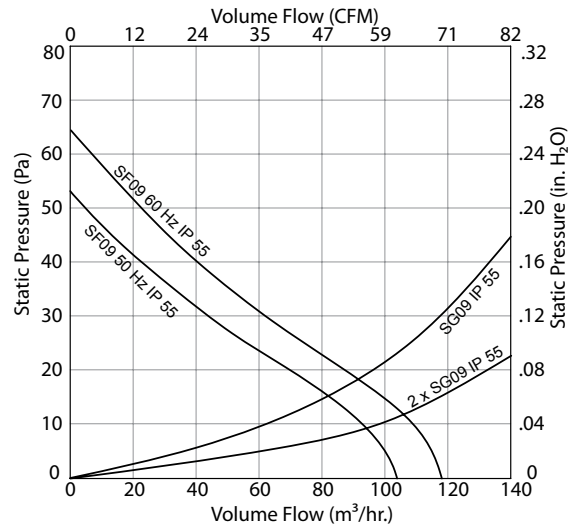
Filter Fans

SF09 75 CFM (127 m³/hr.) Side-Mount Filter Fan Performance Curve

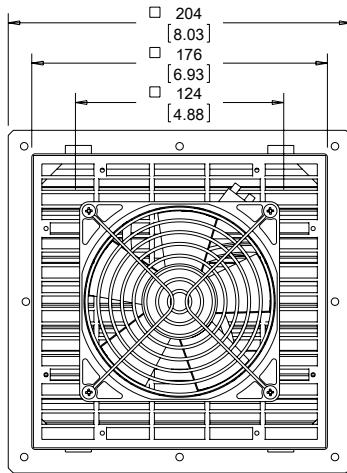
TYPE 12 / IP 54 Filter Fan



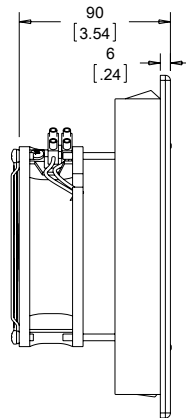
TYPE 12 / IP 55 Filter Fan



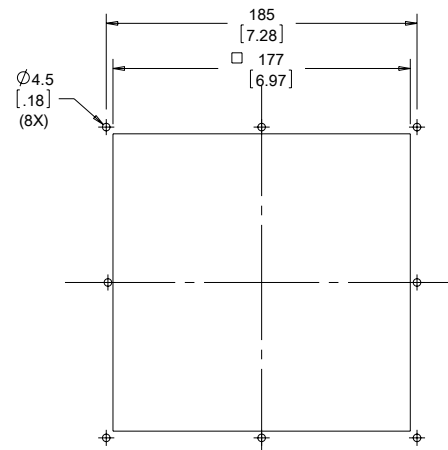
Filter Fan SF09 75 CFM (127 m³/hr.)



BACK VIEW

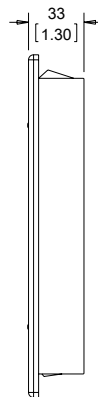
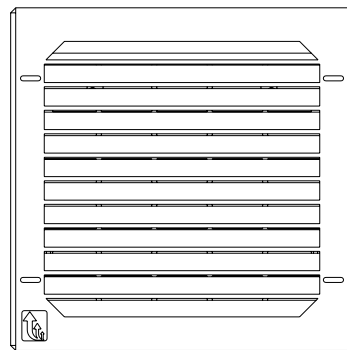


SIDE VIEW



CUTOUT DIMENSIONS

EXHAUST GRILLE



Order Exhaust Grille Kits separately

89051217

Visit www.McLeanCoolingTech.com to download 2D and 3D CAD drawings into the overall design of your electronic system.

Performance Data **SF10 162 CFM (275 m³/Hr.) Side-Mount Filter Fan**

ELECTRICAL DATA				
Rated Voltage	115	230	24	48
Frequency (Hz)	50 / 60	50 / 60	—	—
Nominal Current Maximum (Amps)	.53 / .50	.30 / .25	0.66	0.33
Power Consumption Maximum (Watts)	43 / 40	45 / 39	16	16
Power Connection	Terminal Block			
TYPE 12 / IP54 FILTER FANS				
RAL 7035 Light Gray:				
Catalog Number	SF1016414	SF1026414	SF1024414	SF1048414
RAL 9011 Black:				
Catalog Number	SF1016413	SF1026413	SF1024413	SF1048413
Free Airflow (CFM / m ³ /hr.)	162 / 275	162 / 275	162 / 275	162 / 275
Airflow with 1 Exhaust Grille (CFM / m ³ /hr.)	133 / 226	133 / 226	133 / 226	133 / 226
Airflow with 2 Exhaust Grilles (CFM / m ³ /hr.)	149 / 253	149 / 253	149 / 253	149 / 253
TYPE 12 / IP55 FILTER FANS				
RAL 7035 Light Gray:				
Catalog Number	SF1016514	SF1026514	SF1024514	SF1048514
RAL 9011 Black:				
Catalog Number	SF1016513	SF1026513	SF1024513	SF1048513
Free Airflow (CFM / m ³ /hr.)	149 / 253	149 / 253	149 / 253	149 / 253
Airflow with 1 Exhaust Grille (CFM / m ³ /hr.)	122 / 207	122 / 207	122 / 207	122 / 207
Airflow with 2 Exhaust Grilles (CFM / m ³ /hr.)	137 / 233	137 / 233	137 / 233	137 / 233
FILTER FAN UNIT CONSTRUCTION				
Fan RPM	2760 / 3030	2760 / 3030	2950	2950
Sound Pressure (dBA)	52	52	52	52
Operating Temperature Range:				
Maximum (°F / °C)	131 / 55	131 / 55	131 / 55	131 / 55
Minimum (°F / °C)	14 / -10	14 / -10	14 / -10	14 / -10
Service Life (hours)	40,000	40,000	40,000	40,000
Unit Dimensions - H x W x D (in. / mm)	9.84 x 9.84 x 4.72 / 250 x 250 x 120			
Cutout Dimensions - H x W (in. / mm)	8.78 x 8.78 / 223 x 223			
Weight (lb. / kg)	4.19 / 1.9			
TYPE 12 / IP54 EXHAUST GRILLES				
RAL 7035 Light Gray:				
Catalog Number	SG1000404			
RAL 9011 Black:				
Catalog Number	SG1000403			
TYPE 12 / IP55 EXHAUST GRILLES				
RAL 7035 Light Gray:				
Catalog Number	SG1000504			
RAL 9011 Black:				
Catalog Number	SG1000503			
ACCESSORIES				
Replacement Filters:				
Type 12 / IP54 Catalog Number	10100062			
Type 12 / IP55 Catalog Number	10100066H			
Thermostat Catalog Number	TWR60			
Stainless Steel Washdown Shroud Catalog Number	SH1000005			

Above airflow rates at 60 Hz; see performance curves for airflow at 50 Hz and more details.

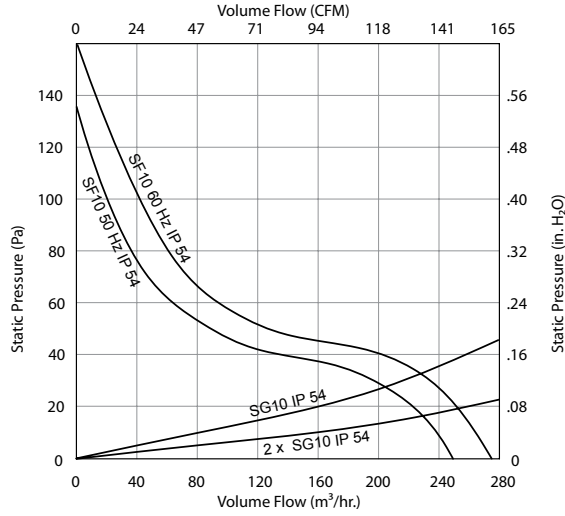
Unit depth is from the back edge of the grille to the back of the fan.

Exhaust Grilles sold separately.

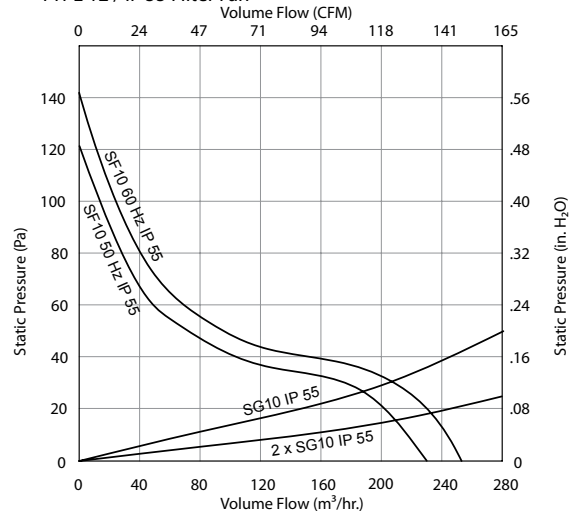
Filter Fans

SF10 162 CFM (275 m³/hr.) Side-Mount Filter Fan Performance Curve

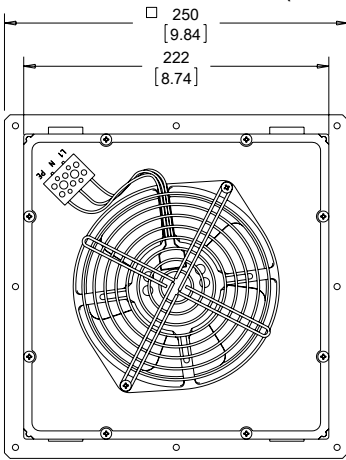
TYPE 12 / IP 54 Filter Fan



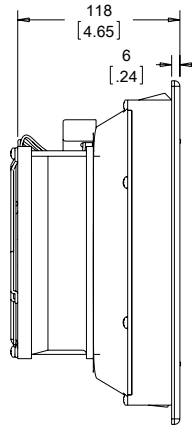
TYPE 12 / IP 55 Filter Fan



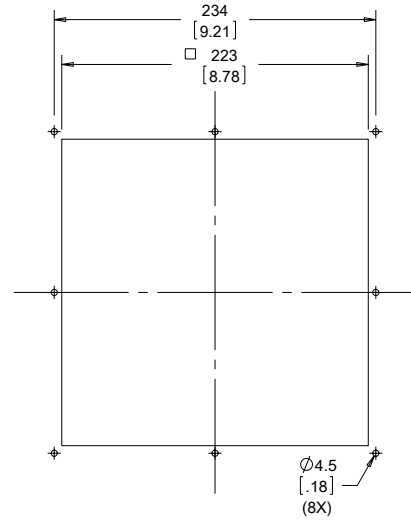
Filter Fan SF10 162 CFM (275 m³/hr.)



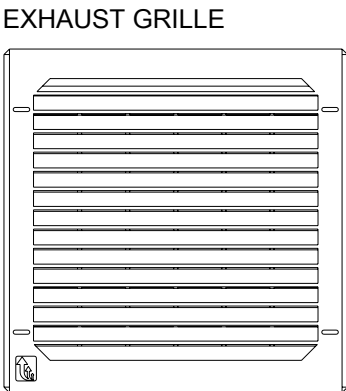
BACK VIEW



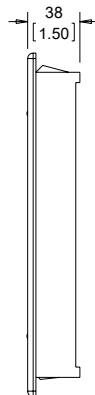
SIDE VIEW



CUTOUT DIMENSIONS



EXHAUST GRILLE



Order Exhaust Grille Kit separately

89051219

Visit www.McLeanCoolingTech.com to download 2D and 3D CAD drawings into the overall design of your electronic system.

Performance Data **SF13 376 CFM (638 m³/hr.) Side-Mount Filter Fan - Standard and Reverse**

ELECTRICAL DATA						
Rated Voltage	115	230	24	48	115 Rvrs	230 Rvrs
Frequency (Hz)	50 / 60	50 / 60	—	—	50 / 60	50 / 60
Nominal Current Maximum (Amps)	.58 / .70	.29 / .35	2.60	1.30	.58 / .70	.29 / .35
Power Consumption Maximum (Watts)	64 / 80	64 / 80	55	55	64 / 80	64 / 80
Power Connection	Terminal Block					
TYPE 12 / IP54 FILTER FANS						
RAL 7035 Light Gray:						
Catalog Number	SF1316414	SF1326414	SF1324414	SF1348414	SF1316414R	SF1326414R
RAL 9011 Black:						
Catalog Number	SF1316413	SF1326413	SF1324413	SF1348413	SF1316413R	SF1326413R
Free Airflow (CFM / m ³ /hr.)	375 / 638	375 / 638	375 / 638	375 / 638	375 / 638	375 / 638
Airflow with 1 Exhaust Grille (CFM / m ³ /hr.)	249 / 423	249 / 423	249 / 423	249 / 423	249 / 423	249 / 423
Airflow with 2 Exhaust Grilles (CFM / m ³ /hr.)	333 / 565	333 / 565	333 / 565	333 / 565	333 / 565	333 / 565
TYPE 12 / IP55 FILTER FANS						
RAL 7035 Light Gray:						
Catalog Number	SF1316514	SF1326514	SF1324514	SF1348514	—	—
RAL 9011 Black:						
Catalog Number	SF1316513	SF1326513	SF1324513	SF1348513	—	—
Free Airflow (CFM / m ³ /hr.)	346 / 587	346 / 587	346 / 587	346 / 587	—	—
Airflow with 1 Exhaust Grille (CFM / m ³ /hr.)	228 / 387	228 / 387	228 / 387	228 / 387	—	—
Airflow with 2 Exhaust Grilles (CFM / m ³ /hr.)	301 / 511	301 / 511	301 / 511	301 / 511	—	—
FILTER FAN UNIT CONSTRUCTION						
Fan RPM	2550 / 2800	2550 / 2800	2950	2950	2550 / 2800	2550 / 2800
Sound Pressure (dBA)	60	60	60	60	60	60
Operating Temperature Range:						
Maximum (°F / °C)	131 / 55	131 / 55	140 / 60	140 / 60	131 / 55	131 / 55
Minimum (°F / °C)	14 / -10	14 / -10	-13 / -25	-13 / -25	14 / -10	14 / -10
Service Life (hours)	40,000	40,000	40,000	40,000	40,000	40,000
Unit Dimensions - H x W x D (in. / mm)	12.72 x 12.72 x 5.83 / 323 x 323 x 148					
Cutout Dimensions - H x W (in. / mm)	11.5 x 11.5 / 292 x 292					
Weight (lb. / kg)	7.5 / 3.4					
TYPE 12 / IP54 EXHAUST GRILLES						
RAL 7035 Light Gray:						
Catalog Number	SG1300404					
RAL 9011 Black:						
Catalog Number	SG1300403					
TYPE 12 / IP55 EXHAUST GRILLES						
RAL 7035 Light Gray:						
Catalog Number	SG1300504					
RAL 9011 Black:						
Catalog Number	SG1300503					
ACCESSORIES						
Replacement Filters:						
Type 12 / IP54 Catalog Number	10100063					
Type 12 / IP55 Catalog Number	10100067H					
Thermostat Catalog Number	TWR60					
Stainless Steel Washdown Shroud Catalog Number	SH1300005					

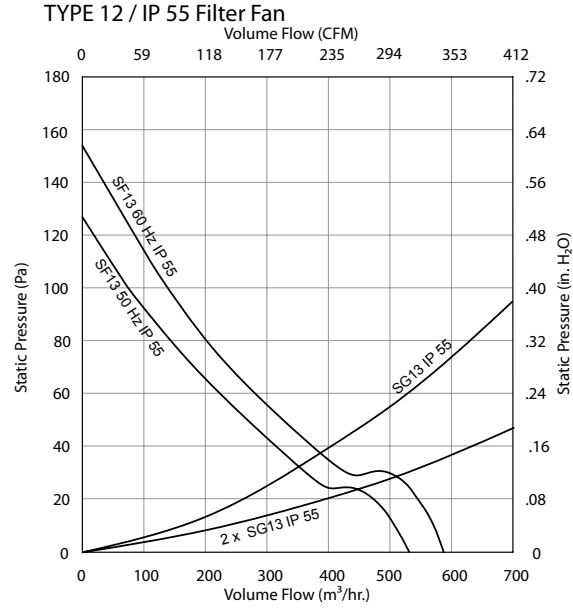
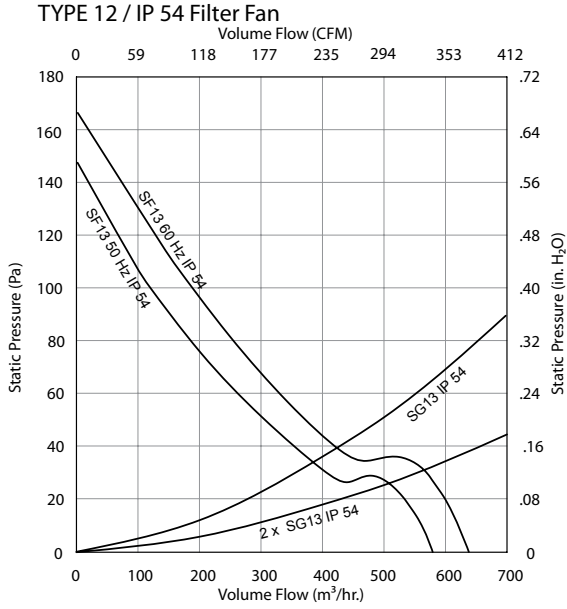
Above airflow rates at 60 Hz; see performance curves for airflow at 50 Hz and more details.

Unit depth is from the back edge of the grille to the back of the fan.

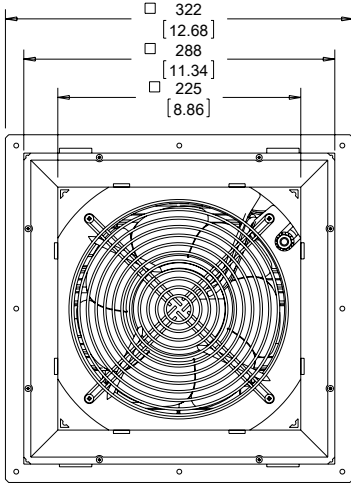
Exhaust Grilles sold separately.

Filter Fans

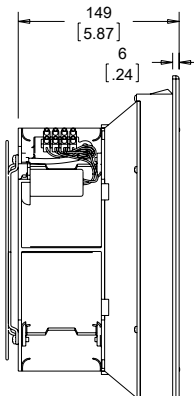
SF13 376 CFM (638 m³/hr.) Side-Mount Filter Fan Performance Curve



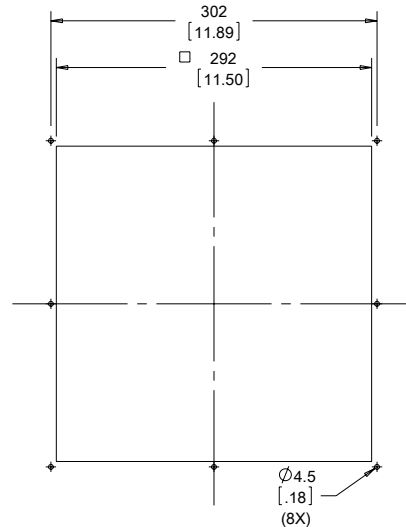
Filter Fan SF13 376 CFM (638 m³/hr.)



BACK VIEW

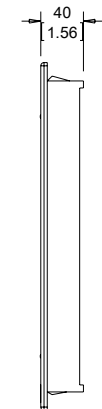
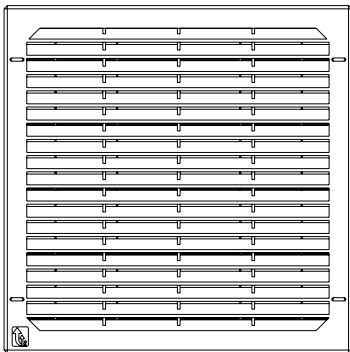


SIDE VIEW



CUTOUT DIMENSIONS

EXHAUST GRILLE



89051221

Order Exhaust Grille Kit separately

Visit www.McLeanCoolingTech.com to download 2D and 3D CAD drawings into the overall design of your electronic system.

Performance Data **SF13 473 CFM (803 m³/hr.) Side-Mount Filter Fan - Standard**

ELECTRICAL DATA			
Rated Voltage	115	230	400
Frequency (Hz)	50 / 60	50 / 60	50 / 60
Nominal Current Maximum (Amps)	1.02 / 1.4	.51 / .74	.22 / .26
Power Consumption Maximum (Watts)	115 / 166	115 / 175	110 / 150
Power Connection	Terminal Block		
TYPE 12 / IP54 FILTER FANS			
RAL 7035 Light Gray:			
Catalog Number	SF1316424	SF1326424	SF1340424
RAL 9011 Black:			
Catalog Number	SF1316423	SF1326423	SF1340423
Free Airflow (CFM / m ³ /hr.)	473 / 803	473 / 803	473 / 803
Airflow with 1 Exhaust Grille (CFM / m ³ /hr.)	343 / 583	343 / 583	343 / 583
Airflow with 2 Exhaust Grilles (CFM / m ³ /hr.)	399 / 677	399 / 677	399 / 677
TYPE 12 / IP55 FILTER FANS			
RAL 7035 Light Gray:			
Catalog Number	SF1316524	SF1326524	SF1340524
RAL 9011 Black:			
Catalog Number	SF1316523	SF1326523	SF1340523
Free Airflow (CFM / m ³ /hr.)	436 / 740	436 / 740	436 / 740
Airflow with 1 Exhaust Grille (CFM / m ³ /hr.)	314 / 533	314 / 533	314 / 533
Airflow with 2 Exhaust Grilles (CFM / m ³ /hr.)	369 / 627	369 / 627	369 / 627
FILTER FAN UNIT CONSTRUCTION			
Fan RPM	2450 / 2650	2550 / 2750	2650 / 2900
Sound Pressure (dBA)	70	70	70
Operating Temperature Range:			
Maximum (°F / °C)	131 / 55	131 / 55	131 / 55
Minimum (°F / °C)	14 / -10	14 / -10	14 / -10
Service Life (hours)	40,000	40,000	40,000
Unit Dimensions - H x W x D (in. / mm)	12.72 x 12.72 x 6.38 / 323 x 323 x 162		
Cutout Dimensions - H x W (in. / mm)	11.50 x 11.50 / 292 x 292		
Weight (lb. / kg)	7.72 / 3.5		
TYPE 12 / IP54 EXHAUST GRILLES			
RAL 7035 Light Gray:			
Catalog Number	SG1300404		
RAL 9011 Black:			
Catalog Number	SG1300403		
TYPE 12 / IP55 EXHAUST GRILLES			
RAL 7035 Light Gray:			
Catalog Number	SG1300504		
RAL 9011 Black:			
Catalog Number	SG1300503		
ACCESSORIES			
Replacement Filters:			
Type 12 / IP54 Catalog Number	10100063		
Type 12 / IP55 Catalog Number	10100067H		
Thermostat Catalog Number	TWR60		
Stainless Steel Washdown Shroud Catalog Number	SH1300005		

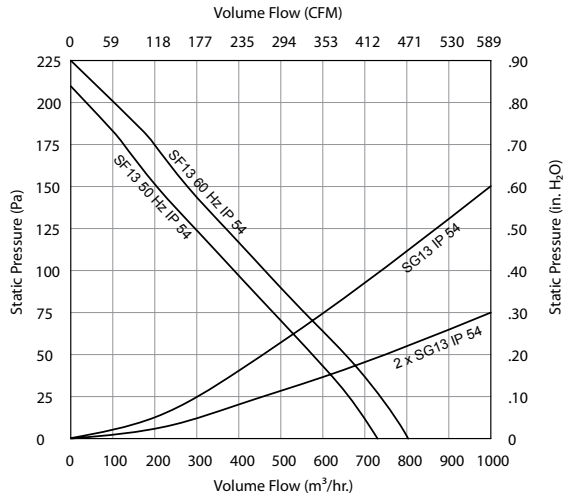
Above airflow rates at 60 Hz; see performance curves for airflow at 50 Hz and more details.

Unit depth is from the back edge of the grille to the back of the fan.

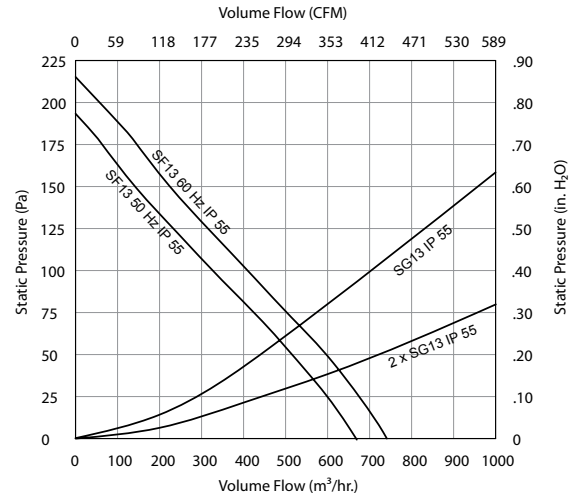
Exhaust Grilles sold separately.

SF13 473 CFM (803 m³/hr.) Side-Mount Filter Fan Performance Curve

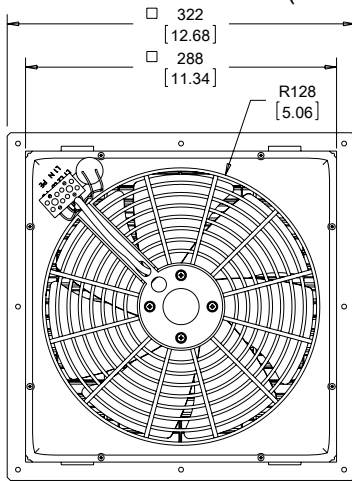
TYPE 12 / IP 54 Filter Fan



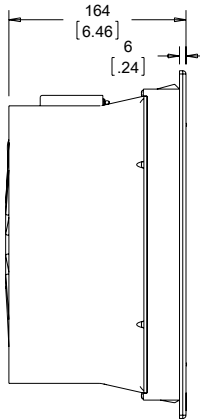
TYPE 12 / IP 55 Filter Fan



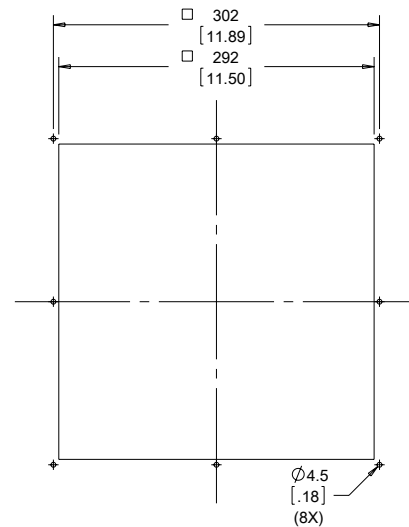
Filter Fan SF13 473 CFM (803 m³/hr.)



BACK VIEW

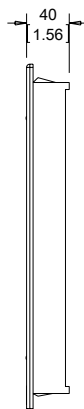
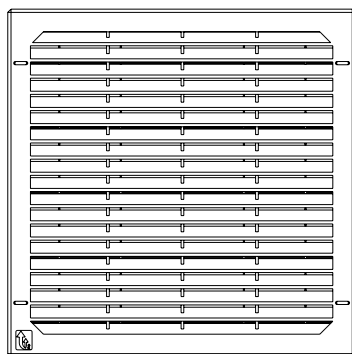


SIDE VIEW



CUTOUT DIMENSIONS

EXHAUST GRILLE



89051223

Order Exhaust Grille Kit separately

Visit www.McLeanCoolingTech.com to download 2D and 3D CAD drawings into the overall design of your electronic system.

Performance Data **SF13 473 CFM (803 m³/hr.) Side-Mount Filter Fan - Reverse**

ELECTRICAL DATA			
Rated Voltage	115 Rvrs	230 Rvrs	400 Rvrs
Frequency (Hz)	50 / 60	50 / 60	50 / 60
Nominal Current Maximum (Amps)	1.05 / 1.5	.51 / .70	.22 / .26
Power Consumption Maximum (Watts)	120 / 175	115 / 165	110 / 150
Power Connection	Terminal Block		
TYPE 12 / IP54 FILTER FANS			
RAL 7035 Light Gray:			
Catalog Number	SF1316424R	SF1326424R	SF1340424R
RAL 9011 Black:			
Catalog Number	SF1316423R	SF1326423R	SF1340423R
Free Airflow (CFM / m ³ /hr.)	473 / 803	473 / 803	473 / 803
Airflow with 1 Exhaust Grille (CFM / m ³ /hr.)	343 / 583	343 / 583	343 / 583
Airflow with 2 Exhaust Grilles (CFM / m ³ /hr.)	399 / 677	399 / 677	399 / 677
FILTER FAN UNIT CONSTRUCTION			
Fan RPM	2450 / 2650	2550 / 2750	2650 / 2900
Sound Pressure (dBA)	70	70	70
Operating Temperature Range:			
Maximum (°F / °C)	131 / 55	131 / 55	131 / 55
Minimum (°F / °C)	14 / -10	14 / -10	14 / -10
Service Life (hours)	40,000	40,000	40,000
Unit Dimensions - H x W x D (in. / mm)	12.72 x 12.72 x 6.38 / 323 x 323 x 162)		
Cutout Dimensions - H x W (in. / mm)	11.50 x 11.50 / 292 x 292)		
Weight (lb. / kg)	7.72 / 3.5		
TYPE 12 / IP54 EXHAUST GRILLES			
RAL 7035 Light Gray:			
Catalog Number	SG1300404		
RAL 9011 Black:			
Catalog Number	SG1300403		
TYPE 12 / IP55 EXHAUST GRILLES			
RAL 7035 Light Gray:			
Catalog Number	SG1300504		
RAL 9011 Black:			
Catalog Number	SG1300503		
ACCESSORIES			
Replacement Filters:			
Type 12/IP54 Catalog Number	10100063		
Type 12 / IP55 Catalog Number	10100067H		
Thermostat Catalog Number	TWR60		
Stainless Steel Washdown Shroud Catalog Number	SH1300005		

Above airflow rates at 60 Hz; see performance curves for airflow at 50 Hz and more details.

Unit depth is from the back edge of the grille to the back of the fan.

Exhaust Grilles sold separately.

Filter Fans

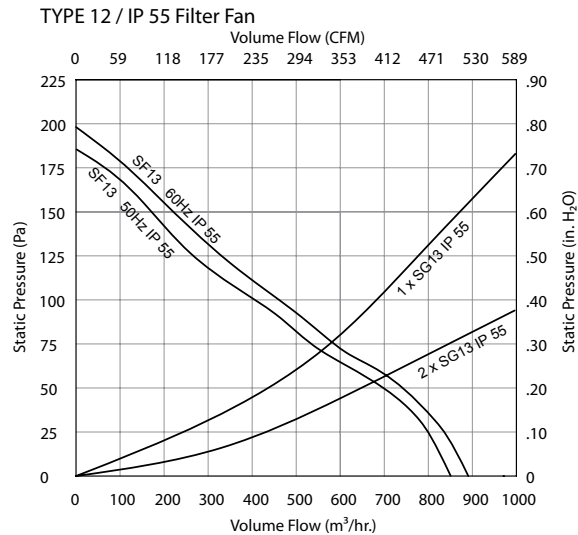
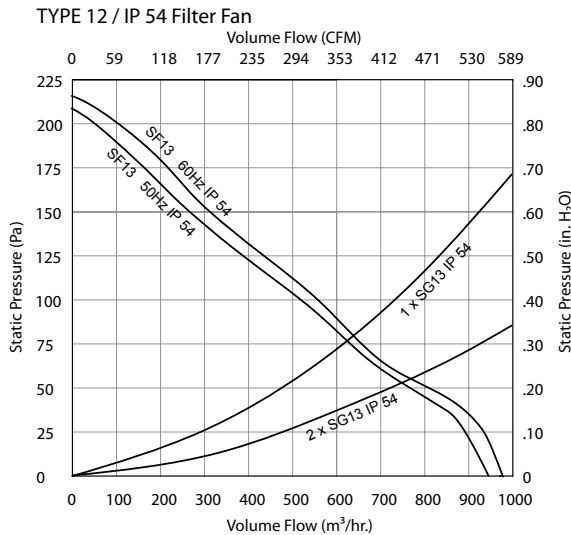
Performance Data **SF13 571 CFM (970 m³/hr.) Side-Mount Filter Fan - Standard**

ELECTRICAL DATA					
Rated Voltage	115	230	24	48	400/460
Frequency (Hz)	50 / 60	50 / 60	—	—	50 / 60
Nominal Current Maximum (Amps)	1.02 / 1.47	.6 / .92	5.00	2.60	.25 / .27
Power Consumption Maximum (Watts)	115 / 175	135 / 215	105	105	113 / 172
Power Connection	Terminal Block				
TYPE 12 / IP54 FILTER FANS					
RAL 7035 Light Gray:					
Catalog Number	SF1316434	SF1326434	SF1324434	SF1348434	SF1346434
RAL 9011 Black:					
Catalog Number	SF1316433	SF1326433	SF1324433	SF1348433	SF1346433
Free Airflow (CFM / m ³ /hr.)	571 / 970	571 / 970	571 / 970	571 / 970	571 / 970
Airflow with 1 Exhaust Grille (CFM / m ³ /hr.)	377 / 640	377 / 640	377 / 640	377 / 640	377 / 640
Airflow with 2 Exhaust Grilles (CFM / m ³ /hr.)	454 / 770	454 / 770	454 / 770	454 / 770	454 / 770
TYPE 12 / IP55 FILTER FANS					
RAL 7035 Light Gray:					
Catalog Number	SF1316534	SF1326534	SF1324534	SF1348534	SF1346534
RAL 9011 Black:					
Catalog Number	SF1316533	SF1326533	SF1324533	SF1348533	SF1346533
Free Airflow (CFM / m ³ /hr.)	526 / 893	526 / 893	526 / 893	526 / 893	526 / 893
Airflow with 1 Exhaust Grille (CFM / m ³ /hr.)	345 / 586	345 / 586	345 / 586	345 / 586	345 / 586
Airflow with 2 Exhaust Grilles (CFM / m ³ /hr.)	415 / 705	415 / 705	415 / 705	415 / 705	415 / 705
FILTER FAN UNIT CONSTRUCTION					
Fan RPM	2600 / 2850	2650 / 2950	2750	2750	2650 / 3050
Sound Pressure (dBA)	70	69	70	70	73
Operating Temperature Range:					
Maximum (°F / °C)	140 / 60	140 / 60	140 / 60	140 / 60	140 / 60
Minimum (°F / °C)	5 / -15	5 / -15	5 / -15	5 / -15	5 / -15
Service Life (hours)	40,000	40,000	40,000	40,000	40,000
Unit Dimensions - H x W x D (in. / mm)	12.72 x 12.72 x 5.51 / 323 x 323 x 140				
Cutout Dimensions - H x W (in. / mm)	11.50 x 11.50 / 292 x 292				
Weight (lb. / kg)	10.14 / 4.6				
TYPE 12 / IP54 EXHAUST GRILLES					
RAL 7035 Light Gray:					
Catalog Number	SG1300404				
RAL 9011 Black:					
Catalog Number	SG1300403				
TYPE 12 / IP55 EXHAUST GRILLES					
RAL 7035 Light Gray:					
Catalog Number	SG1300504				
RAL 9011 Black:					
Catalog Number	SG1300503				
ACCESSORIES					
Replacement Filters:					
Type 12 / IP54 Catalog Number	1010063				
Type 12 / IP55 Catalog Number	10100067H				
Thermostat Catalog Number	TWR60				
Stainless Steel Washdown Shroud Catalog Number	SH1300005				

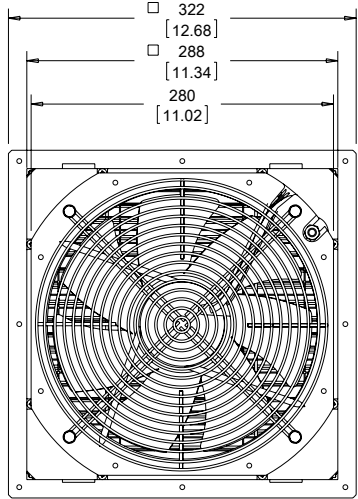
Unit depth is from the back edge of the grille to the back of the fan.

Exhaust Grilles sold separately.

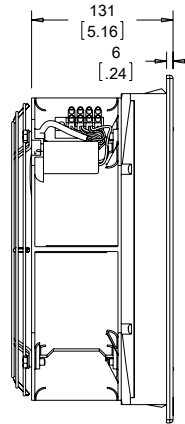
SF13 571 CFM (970 m³/hr.) Side-Mount Filter Fan Performance Curve



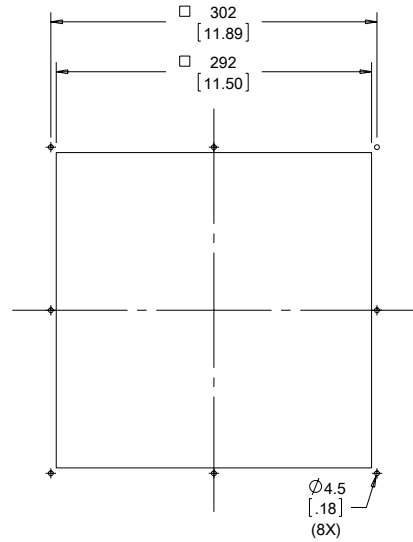
Filter Fan SF13 571 CFM (970 m³/hr.)



BACK VIEW

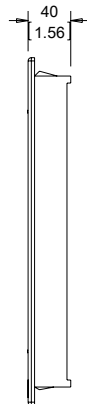
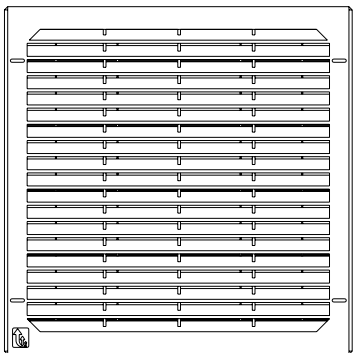


SIDE VIEW



CUTOUT DIMENSIONS

EXHAUST GRILLE



Order Exhaust Grille Kits separately

89051224

Visit www.McLeanCoolingTech.com to download 2D and 3D CAD drawings into the overall design of your electronic system.

Filter Fans

Performance Data **SF13 571 CFM (970 m³/hr.) Side-Mount Filter Fan - Reverse**

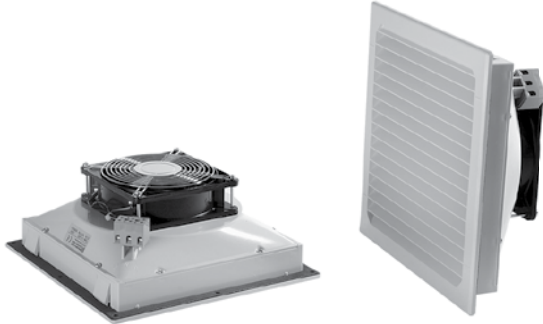
ELECTRICAL DATA			
Rated Voltage	115	230	400/460
Frequency (Hz)	50 / 60	50 / 60	50 / 60
Nominal Current Maximum (Amps)	1.02 / 1.47	.6 / .92	.25 / .27
Power Consumption Maximum (Watts)	115 / 175	135 / 215	113 / 160
Power Connection	Terminal Block		
TYPE 12 / IP54 FILTER FANS			
RAL 7035 Light Gray:			
Catalog Number	SF1316434R	SF1326434R	SF1340434R
RAL 9011 Black:			
Catalog Number	SF1316433R	SF1326433R	SF1346433R
Free Airflow (CFM / m ³ /hr.)	571 / 970	571 / 970	571 / 970
Airflow with 1 Exhaust Grille (CFM / m ³ /hr.)	377 / 640	377 / 640	377 / 640
Airflow with 2 Exhaust Grilles (CFM / m ³ /hr.)	454 / 770	454 / 770	454 / 770
FILTER FAN UNIT CONSTRUCTION			
Fan RPM	2600 / 2850	2650 / 2950	2650 / 3050
Sound Pressure (dBA)	70	69	73
Operating Temperature Range:			
Maximum (°F / °C)	140 / 60	140 / 60	140 / 60
Minimum (°F / °C)	5 / -15	5 / -15	5 / -15
Service Life (hours)	40,000	40,000	40,000
Unit Dimensions - H x W x D (in. / mm)	12.72 x 12.72 x 5.51 / 323 x 323 x 140		
Cutout Dimensions - H x W (in. / mm)	11.50 x 11.50 / 292 x 292		
Weight (lb. / kg)	10.14 / 4.6		
TYPE 12 / IP54 EXHAUST GRILLES			
RAL 7035 Light Gray:			
Catalog Number	SG1300404		
RAL 9011 Black:			
Catalog Number	SG1300403		
TYPE 12 / IP55 EXHAUST GRILLES			
RAL 7035 Light Gray:			
Catalog Number	SG1300504		
RAL 9011 Black:			
Catalog Number	SG1300503		
ACCESSORIES			
Replacement Filters:			
Type 12 / IP54 Catalog Number	10100063		
Type 12 / IP55 Catalog Number	10100067H		
Thermostat Catalog Number	TWR60		
Stainless Steel Washdown Shroud Catalog Number	SH1300005		

Above airflow rates at 60 Hz; see performance curves for airflow at 50 Hz and more details.

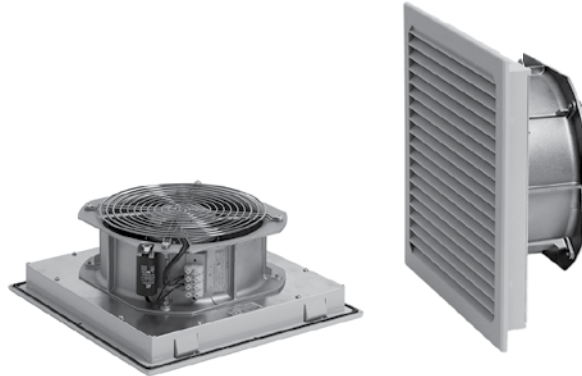
Unit depth is from the back edge of the grille to the back of the fan.

Exhaust Grilles sold separately.

ST Thin Side-Mount



ST10
100 CFM (170 m³/hr.)



ST13
303 CFM (515 m³/hr.)

Industry Standards

UL/cUL recognized; File no. 235470

CE, CSA (fan motor only)
Type 12, IP54 standard
Type 12, IP55 optional

Application

- Industrial automation
- Automotive assembly
- Package handling equipment
- Food and beverage process controls
- Wind energy systems

Features

- ST13 has reverse airflow option available to push/pull air through higher static pressure
- Click-fit design quickly installs into enclosure wall; no tools or screws required
- Thin depth to minimize cabinet intrusion
- Enclosure side wall mounting
- Standard foam-in-place gasket

- Similar cut-out sizes as other filter fan manufacturers
- Terminal wire connections
- Simple snap-open grille for easy filter replacement
- Optional thermostat available to save energy and extend service life

Specifications

- Free airflow from 100 CFM (170 m³/hr.) to 303 CFM (515 m³/hr.)
- Service life hours range from 40000 to 57500
- Operating temperature range of -4 F / -20 C to 149 F / 65 C

Finish

- RAL 7035 light-gray UV-resistant plastic standard
- RAL 9011 black UV-resistant plastic optional

Accessories

- Replacement filters
- Thermostat
- Rain shroud

Notes

Visit www.McLeanCoolingTech.com to download 2D and 3D CAD drawings into the overall design of your electronic system.

Filter Fans

Performance Data **ST10 100 CFM (170 m³/hr.) Thin Side-Mount Filter Fan**

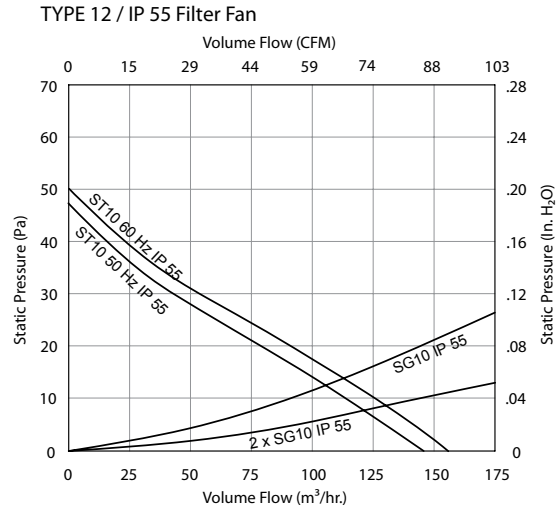
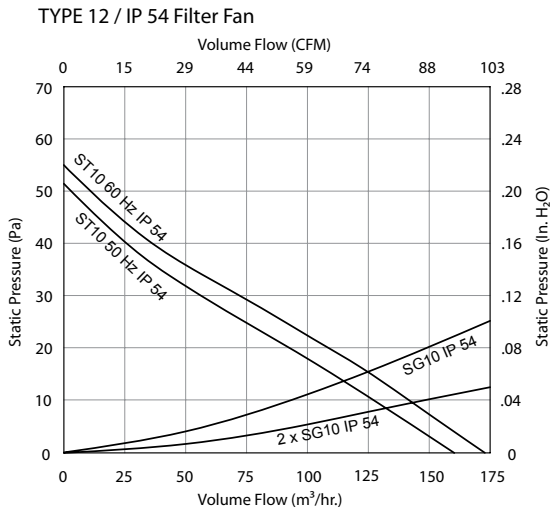
ELECTRICAL DATA				
Rated Voltage	115	230	24	48
Frequency (Hz)	50 / 60	50 / 60	—	—
Nominal Current Maximum (Amps)	0.2	0.10	0.27	0.14
Power Consumption Maximum (Watts)	18	18	6.5	6.5
Power Connection	Terminal Block			
TYPE 12 / IP54 FILTER FANS				
RAL 7035 Light Gray:				
Catalog Number	ST1016414	ST1026414	ST1024414	ST1048414
RAL 9011 Black:				
Catalog Number	ST1016413	ST1026413	ST1024413	ST1048413
Free Airflow (CFM / m ³ /hr.)	100 / 170	100 / 170	100 / 170	100 / 170
Airflow with 1 Exhaust Grille (CFM / m ³ /hr.)	74 / 125	74 / 125	74 / 125	74 / 125
Airflow with 2 Exhaust Grilles (CFM / m ³ /hr.)	84 / 143	84 / 143	84 / 143	84 / 143
TYPE 12 / IP55 FILTER FANS				
RAL 7035 Light Gray:				
Catalog Number	ST1016514	ST1026514	ST1024514	ST1048514
RAL 9011 Black:				
Catalog Number	ST1016513	ST1026513	ST1024513	ST1048513
Free Airflow (CFM / m ³ /hr.)	92 / 156	92 / 156	92 / 156	92 / 156
Airflow with 1 Exhaust Grille (CFM / m ³ /hr.)	67 / 114	67 / 114	67 / 114	67 / 114
Airflow with 2 Exhaust Grilles (CFM / m ³ /hr.)	77 / 130	77 / 130	77 / 130	77 / 130
FILTER FAN UNIT CONSTRUCTION				
Fan RPM	2750 / 3100	2750 / 3100	3150	3150
Sound Pressure (dBA)	44	44	46	46
Operating Temperature Range:				
Maximum (°F / °C)	131 / 55	131 / 55	149 / 65	149 / 65
Minimum (°F / °C)	14 / -10	14 / -10	-4 / -20	-4 / -20
Service Life (hours)	40,000	40,000	57,500	57,500
Unit Dimensions - H x W x D (in. / mm)	9.84 x 9.84 x 4.02 / 250 x 250 x 102			
Cutout Dimensions - H x W (in. / mm)	8.78 x 8.78 / 223 x 223			
Weight (lb. / kg)	2.54 / 1.15			
TYPE 12 / IP54 EXHAUST GRILLES				
RAL 7035 Light Gray:				
Catalog Number	SG1000404			
RAL 9011 Black:				
Catalog Number	SG1000403			
TYPE 12 / IP55 EXHAUST GRILLES				
RAL 7035 Light Gray:				
Catalog Number	SG1000504			
RAL 9011 Black:				
Catalog Number	SG1000503			
ACCESSORIES				
Replacement Filters:				
Type 12 / IP54 Catalog Number	10100062			
Type 12 / IP55 Catalog Number	10100066H			
Thermostat Catalog Number	TWR60			
Stainless Steel Washdown Shroud Catalog Number	SH1000005			

Above airflow rates at 60 Hz; see performance curves for airflow at 50 Hz and more details.

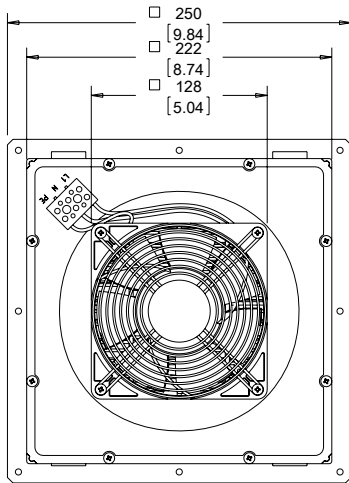
Unit depth is from the back edge of the grille to the back of the fan.

Exhaust Grilles sold separately.

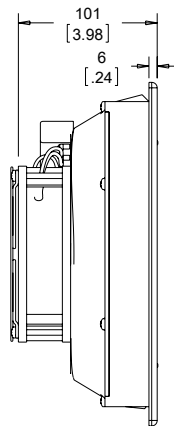
ST10 100 CFM (170 m³/hr.) Thin Side-Mount Filter Fan
Performance Curve



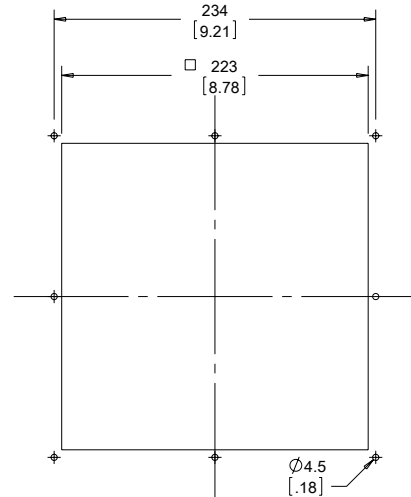
Filter Fan ST10 100 CFM (170 m³/hr.)



BACK VIEW

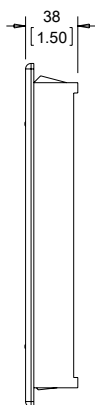
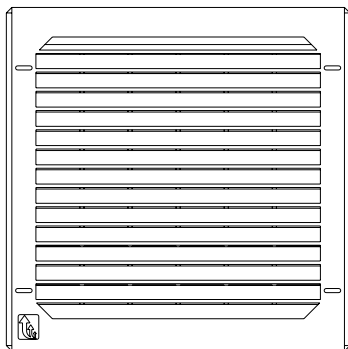


SIDE VIEW



CUTOUT DIMENSIONS

EXHAUST GRILLE



89051218

Order Exhaust Grille Kits separately

Visit www.McLeanCoolingTech.com to download 2D and 3D CAD drawings into the overall design of your electronic system.

Filter Fans

Performance Data **ST13 303 CFM (515 m³/hr.) Thin Side-Mount Filter Fan - Standard and Reverse**

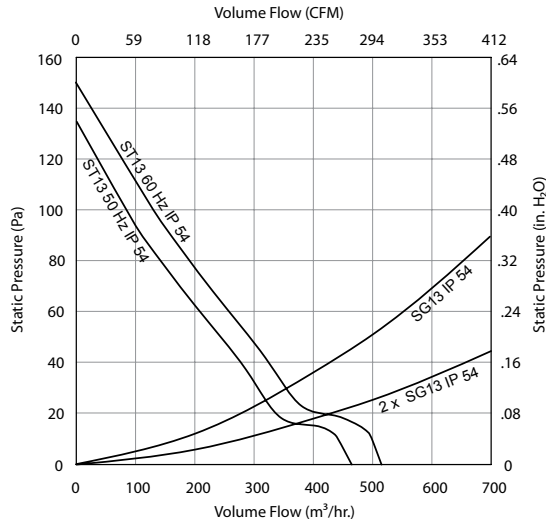
ELECTRICAL DATA				
Rated Voltage	115	230	115	230
Frequency (Hz)	50 / 60	50 / 60	50 / 60	50 / 60
Nominal Current Maximum (Amps)	.58 / .70	.29 / .35	.58 / .70	.29 / .35
Power Consumption Maximum (Watts)	64 / 80	64 / 80	64 / 80	64 / 80
Power Connection	Terminal Block			
TYPE 12 / IP54 FILTER FANS				
RAL 7035 Light Gray:				
Catalog Number	ST1316414	ST1326414	ST1316414R	ST1326414R
RAL 9011 Black:				
Catalog Number	ST1316413	ST1326413	ST1316413R	ST1326413R
Free Airflow (CFM / m ³ /hr.)	303 / 515	303 / 515	303 / 515	303 / 515
Airflow with 1 Exhaust Grille (CFM / m ³ /hr.)	209 / 355	209 / 355	209 / 355	209 / 355
Airflow with 2 Exhaust Grilles (CFM / m ³ /hr.)	249 / 422	249 / 422	249 / 422	249 / 422
TYPE 12 / IP55 FILTER FANS				
RAL 7035 Light Gray:				
Catalog Number	ST1316514	ST1326514	ST1316514R	ST1326514R
RAL 9011 Black:				
Catalog Number	ST1316513	ST1326513	ST1316513R	ST1326513R
Free Airflow (CFM / m ³ /hr.)	277 / 470	277 / 470	277 / 470	277 / 470
Airflow with 1 Exhaust Grille (CFM / m ³ /hr.)	191 / 325	191 / 325	191 / 325	191 / 325
Airflow with 2 Exhaust Grilles (CFM / m ³ /hr.)	219 / 372	219 / 372	219 / 372	219 / 372
FILTER FAN UNIT CONSTRUCTION				
Fan RPM	2550 / 2800	2550 / 2800	2550 / 2800	2550 / 2800
Sound Pressure (dBA)	60	60	60	60
Operating Temperature Range:				
Maximum (°F / °C)	131 / 55	131 / 55	131 / 55	131 / 55
Minimum (°F / °C)	14 / -10	14 / -10	14 / -10	14 / -10
Service Life (hours)	40,000	40,000	40,000	40,000
Unit Dimensions - H x W x D (in. / mm)	12.72 x 12.72 x 4.8 / 323 x 323 x 122			
Cutout Dimensions - H x W (in. / mm)	11.50 x 11.50 / 292 x 292			
Weight (lb. / kg)	7.5 / 3.4			
TYPE 12 / IP54 EXHAUST GRILLES				
RAL 7035 Light Gray:				
Catalog Number	SG1300404			
RAL 9011 Black:				
Catalog Number	SG1300403			
TYPE 12 / IP55 EXHAUST GRILLES				
RAL 7035 Light Gray:				
Catalog Number	SG1300504			
RAL 9011 Black:				
Catalog Number	SG1300503			
ACCESSORIES				
Replacement Filters:				
Type 12 / IP54 Catalog Number	10100063			
Type 12 / IP55 Catalog Number	10100067H			
Thermostat Catalog Number	TWR60			
Stainless Steel Washdown Shroud Catalog Number	SH1300005			

Above airflow rates at 60 Hz; see performance curves for airflow at 50 Hz and more details.

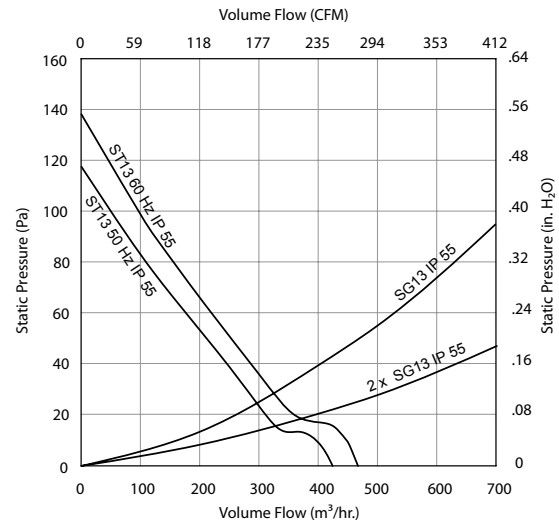
Unit depth is from the back edge of the grille to the back of the fan.

Exhaust Grilles sold separately.

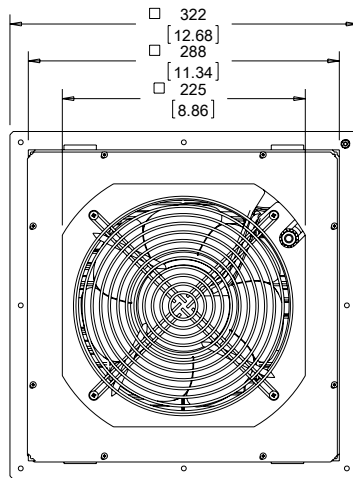
ST13 303 CFM (515 m³/hr.) Thin Side-Mount Filter Fan
Performance Curve
TYPE 12 / IP 54 Filter Fan



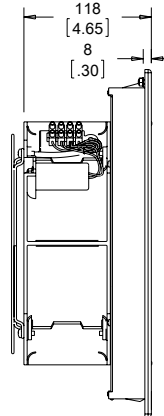
TYPE 12 / IP 55 Filter Fan



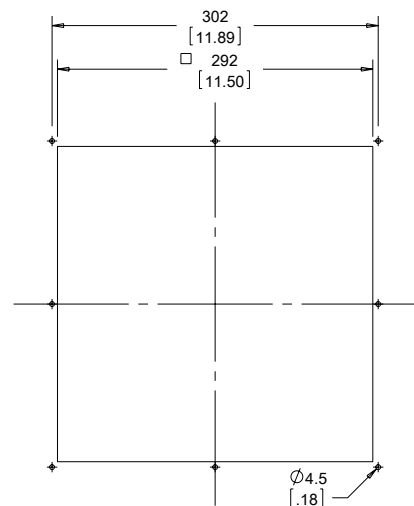
Filter Fan ST13 303 CFM (515 m³/hr.)



BACK VIEW

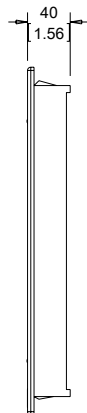
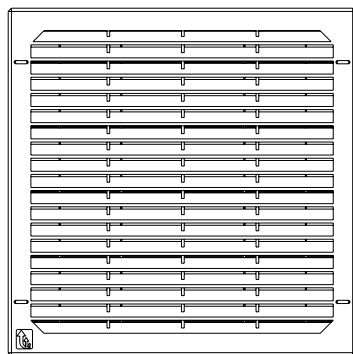


SIDE VIEW



CUTOUT DIMENSIONS

EXHAUST GRILLE



89051222

Order Exhaust Grille Kit separately

Visit www.McLeanCoolingTech.com to download 2D and 3D CAD drawings into the overall design of your electronic system.

Notes