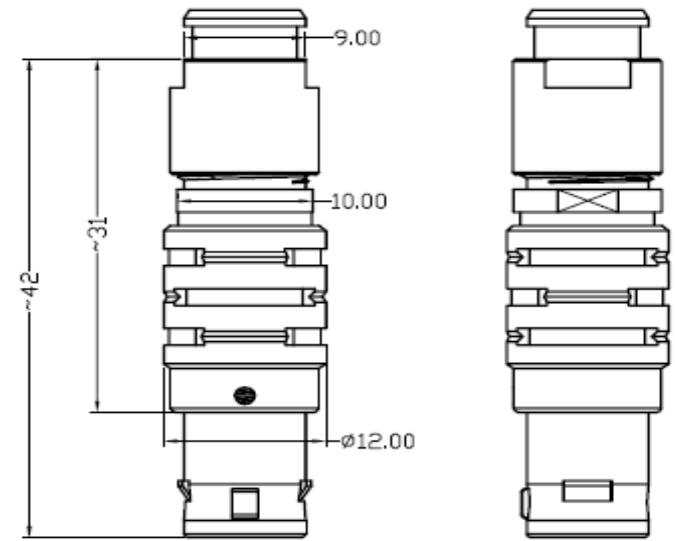


	1	2	3	4	5	6	7	8	9	10		
	POSITIONS		02 PIN	03 PIN	04 PIN	05 PIN	06 PIN	07 PIN	08 PIN	10 PIN	14 PIN	16 PIN
A	VIEW FROM TERMINATION SIDE SOCKET PART											

NOTE:

1. MATERIAL AND FINISH
 - 1.1. SHELL ASSEMBLY: COPPER ALLOY, OUTER SHELL AND COLLET NUT Cr PLATING, OTHER METALLIC COMPONENTS NI PLATING
 - 1.2. INSULATOR: PEEK
 - 1.3. CONTACT: COPPER ALLOY, GOLD PLATING
2. RoHS COMPLIANCE
3. PART NO.



R - F 1 B S * * 0 * D 1 * * *

CONTACT POS.	02-16=2pin-16pin
SHELL MATERIAL	0=Brass

CABLE OD	
42=OD	3.1mm-4.2mm
52=OD	4.2mm-5.2mm
62=OD	5.2mm-6.2mm
72=OD	6.2mm-7.2mm
76=OD	7.2mm-7.6mm

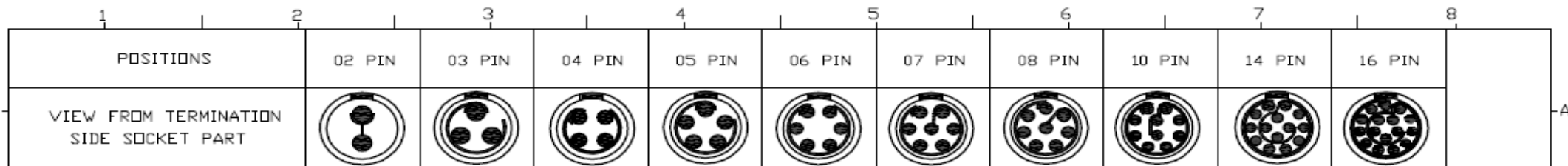
CODE	CONTACT TYPE
2	Male Solder Contact
4	Female Solder Contact
C	Crimp Male Contact
M	Crimp Female Contact

CODE	KEY ANGLES
0	0°
A	30°
B	60°
"	"

COLLET NUT
I=Nut for fitting a bend relief

UNITS ■mm □INCH	NAME: SNAP LATCH METAL 1B PLUG	TITLE: CUSTOMER DWG.
GENERAL TOLERANCES: (UNLESS SPECIFIED)	D1***	DWG NO: 010-0000-937 C
4 PLACE ±.*** ±.***	APPD: Seawen 7/15/15	SCALE: 2.5/1
3 PLACE ± 0.10 ±.***	CHKD: Peter 7/15/15	SHEET: 1/3
2 PLACE ± 0.30 ±.***	DRAWN: Alex 7/15/15	REV.: X2
1 PLACE ± 0.50 ±.***		
ANGULAR: X*± 2* .X*±***		

REV.	DESCRIPTION	DATE	APPD
X2	UPDATE RELEASE	7/15/15	Seawen



NOTE:

1. MATERIAL AND FINISH

1.1. SHELL ASSEMBLY: COPPER ALLOY, OUTER SHELL AND COLLET NUT Cr PLATING, OTHER METALLIC COMPONENTS Ni PLATING

1.2. INSULATOR: PEEK

1.3. CONTACT: COPPER ALLOY, GOLD PLATING

2. RoHS COMPLIANCE

3. PART NO.

R - F 1 B S * * 0 * D 2 * * *

CONTACT POS.
02-16=2pin-16pin

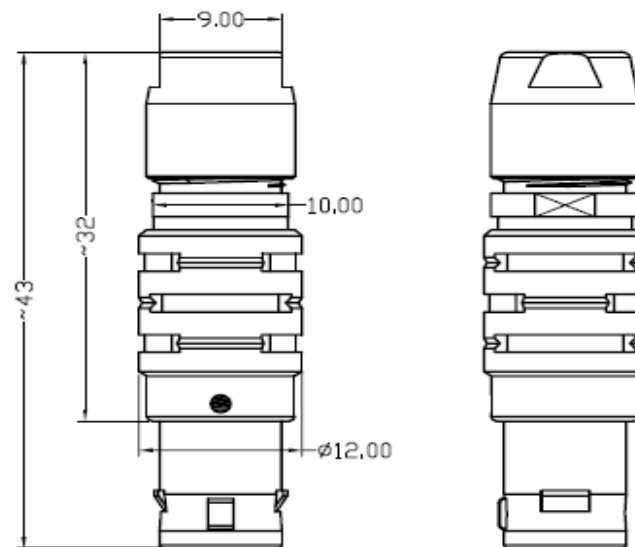
SHELL MATERIAL
0=Brass

CODE	CONTACT TYPE
2	Male Solder Contact
4	Female Solder Contact
C	Crimp Male Contact
M	Crimp Female Contact

COLLET NUT
2=Nut for Standard

CABLE OD	
42=OD	3.1mm-4.2mm
52=OD	4.2mm-5.2mm
62=OD	5.2mm-6.2mm
72=OD	6.2mm-7.2mm
76=OD	7.2mm-7.6mm

CODE	KEY ANGLES
0	0
A	30°
B	60°
"	"

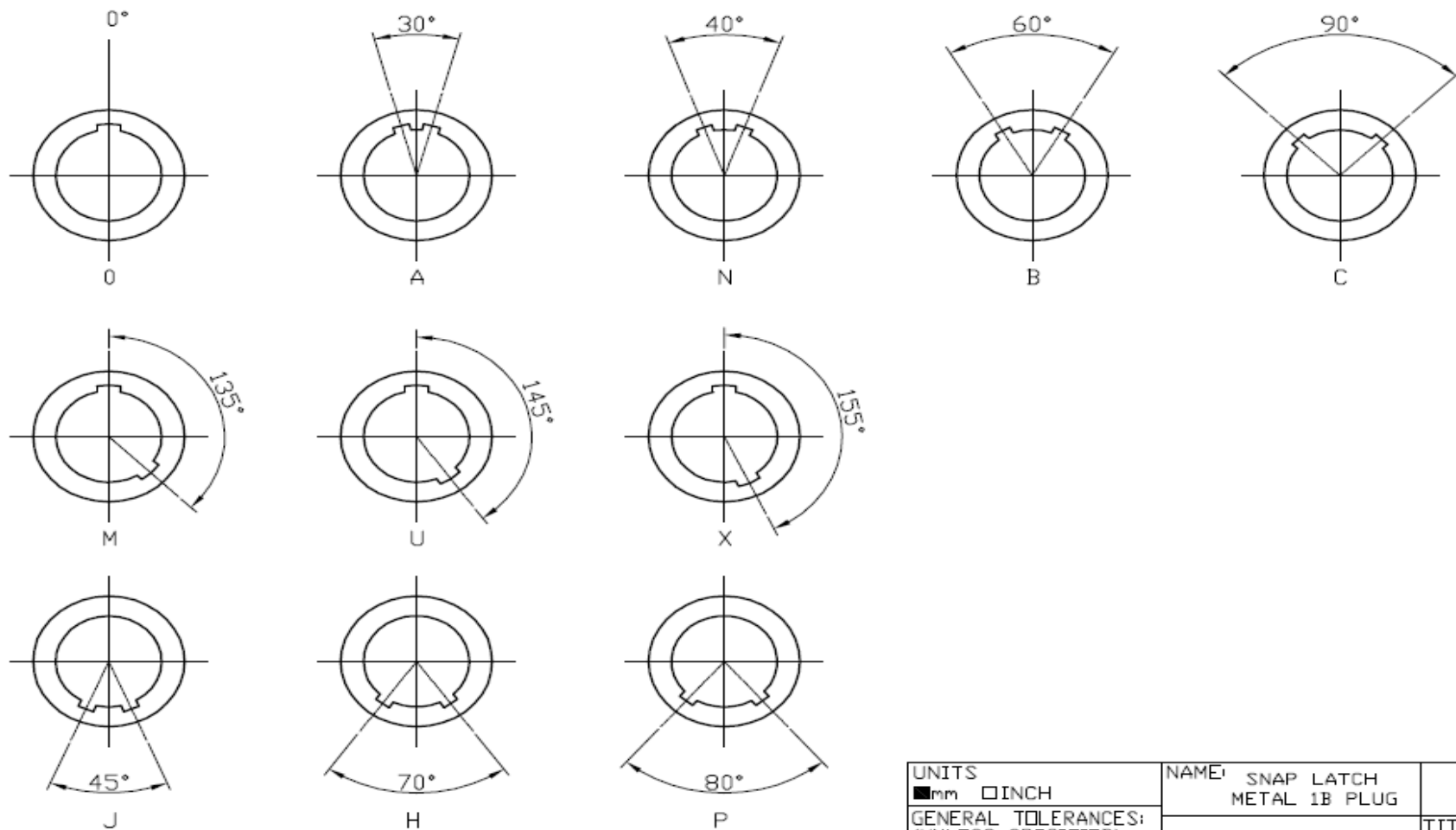


UNITS ■mm □INCH		NAME: SNAP LATCH METAL 1B PLUG		TITLE: CUSTOMER DWG.	
GENERAL TOLERANCES: (UNLESS SPECIFIED)		D2***		DWG NO: 010-0000-937 C	
4 PLACE	± ** ± **	APPD: Seawen 7/15/15	CHKD: Peter 7/15/15		
3 PLACE	± 0.10 ± **	DRAWN: Alex 7/15/15			
2 PLACE	± 0.30 ± **	SCALE: SHEET: REV: 2.5/1 2/3 X2			
1 PLACE	± 0.50 ± **				
ANGULAR:	X° ± 2° X° ± **				

REV.	DESCRIPTION	DATE	APPD
X2	UPDATE RELEASE	7/15/15	Seawen



KEY ANGLES (RECEPTACLE FRONT VIEW)



UNITS <input checked="" type="checkbox"/> mm <input type="checkbox"/> INCH		NAME: SNAP LATCH METAL 1B PLUG							
GENERAL TOLERANCES: (UNLESS SPECIFIED)		TITLE: CUSTOMER DWG.							
	mm	INCH							
4 PLACE	± **.05	± **.001	APPD: Seawen 7/15/15						
3 PLACE	± 0.10	± **.002	CHKD: Peter 7/15/15						
2 PLACE	± 0.30	± **.005	DRAWN: Alex 7/15/15						
1 PLACE	± 0.50	± **.010							
ANGULAR:	X° ± 2°	X° ± **.005	<table border="1"> <tr> <td>SCALE:</td> <td>SHEET:</td> <td>REV.:</td> </tr> <tr> <td>2.5/1</td> <td>3/3</td> <td>X2</td> </tr> </table>	SCALE:	SHEET:	REV.:	2.5/1	3/3	X2
SCALE:	SHEET:	REV.:							
2.5/1	3/3	X2							

X2	UPDATE RELEASE	7/15/15	Seawen
REV.	DESCRIPTION	DATE	APPD