

# Repeater power supply - MACX MCR-EX-SL-RPSSI-2I-SP - 2924236

Please be informed that the data shown in this PDF Document is generated from our Online Catalog. Please find the complete data in the user's documentation. Our General Terms of Use for Downloads are valid (<http://phoenixcontact.com/download>)



Ex i measuring transducer power supply and input signal conditioner, HART-transparent. Transfers supplied or active 0/4...20 mA electrical isolation signals from the Ex area to two loads in the safe area. 4-way electrical isolation, Push-in connection, SIL, PL.

## Your advantages

- ✓ 0/4 mA ... 20 mA input, intrinsically safe, [Ex ia], powered and not powered
- ✓ Measuring transducer supply voltage > 16 V
- ✓ Two electrically isolated 0/4 mA ... 20 mA (active) outputs
- ✓ Bidirectional HART transmission (both outputs)
- ✓ Error indication according to NAMUR NE 43
- ✓ SIL 2 according to IEC 61508/EN 61508
- ✓ Safe electrical isolation between input, outputs, and supply
- ✓ Power supply possible via DIN rail connector
- ✓ Installation in zone 2 permitted
- ✓ Plug-in connection terminals, push-in connection technology
- ✓ Housing width: 12.5 mm
- ✓ Minimal power dissipation
- ✓ High transmission accuracy



## Key Commercial Data

Packing unit	1 pc
GTIN	
GTIN	4046356463676

## Technical data

### Note

Utilization restriction	EMC: class A product, see manufacturer's declaration in the download area
-------------------------	---

### Dimensions

# Repeater power supply - MACX MCR-EX-SL-RPSSI-2I-SP - 2924236

## Technical data

### Dimensions

Width	12.5 mm
Height	116 mm
Depth	114.5 mm

### Ambient conditions

Ambient temperature (operation)	-20 °C ... 60 °C (Any mounting position)
Ambient temperature (storage/transport)	-40 °C ... 80 °C
Maximum altitude	≤ 2000 m
Permissible humidity (operation)	10 % ... 95 % (non-condensing)
Degree of protection	IP20
Noise immunity	EN 61000-6-2 When being exposed to interference, there may be minimal deviations.

### Input data

Signal input	Repeater power supply operation
Current input signal	4 mA ... 20 mA
Transmitter supply voltage	> 16 V (20 mA) > 15.1 V (23 mA)
Underload/overload signal range	0 mA ... 24 mA (Extended transmission range for diagnostics)
Polarization and surge protection	Yes
Signal input	Signal conditioner operation
Current input signal	0 A ... 20 mA 4 mA ... 20 mA
Voltage drop	approx. 3.9 V (in input isolating amplifier operation)
Underload/overload signal range	0 mA ... 24 mA (Extended transmission range for diagnostics)

### Output data

Signal output	Repeater power supply operation
Current output signal	4 mA ... 20 mA (Output 1 and output 2 active)
Load/output load current output	< 450 Ω (20 mA) < 380 Ω (23 mA)
Output ripple	< 20 mV <sub>rms</sub>
Output behavior in the event of an error	0 mA (Cable break in the input) ≥ 23 mA (Cable short-circuit in the input)
Signal output	Signal conditioner operation
Current output signal	0 mA ... 20 mA (active) 4 mA ... 20 mA (active)
Load/output load current output	< 450 Ω (20 mA) < 380 Ω (23 mA)
Output ripple	< 20 mV <sub>rms</sub>
Output behavior in the event of an error	0 mA (Cable break in the input) 0 mA (Cable short-circuit in the input)

# Repeater power supply - MACX MCR-EX-SL-RPSSI-2I-SP - 2924236

## Technical data

### Power supply

Nominal supply voltage	24 V DC
Supply voltage range	19.2 V DC ... 30 V DC (24 V DC -20%...+25%)
Max. current consumption	< 75 mA (24 V DC / 20 mA)
Power dissipation	< 1.45 W (24 V DC / 20 mA)
Nominal supply voltage range	19.2 V DC ... 30 V DC (24 V DC -20%...+25%)
Max. current consumption	< 46 mA (24 V DC / 20 mA)
Power dissipation	< 1.2 W (24 V DC / 20 mA)

### Connection data

Connection method	Push-in connection
Stripping length	8 mm
Conductor cross section solid	0.2 mm <sup>2</sup> ... 1.5 mm <sup>2</sup>
Conductor cross section flexible	0.2 mm <sup>2</sup> ... 1.5 mm <sup>2</sup>
Conductor cross section AWG	24 ... 16

### General

No. of channels	1
Maximum transmission error	< 0.1 % (of final value)
Transmission error, typical	< 0.05 % (of final value)
Maximum temperature coefficient	< 0.01 %/K
Step response (10-90%)	1.3 ms (for jump 4 mA ... 20 mA, typical)
Status display	Green LED (PWR supply voltage)
Flammability rating according to UL 94	V0
Electromagnetic compatibility	Conformance with EMC directive
Interference emission	EN 61000-6-4
Housing material	PA 6.6-FR
Color	gray
Designation	Input/output/power supply
Electrical isolation	300 V <sub>rms</sub> (Rated insulation voltage (overvoltage category II; degree of pollution 2, safe isolation as per EN 61010-1))
	2.5 kV AC (50 Hz, 1 min., test voltage)
Designation	Input/output
Electrical isolation	375 V (Peak value in accordance with EN 60079-11)
Designation	Input/power supply
Electrical isolation	375 V (Peak value in accordance with EN 60079-11)
Designation	Output 1/output 2
Electrical isolation	1.5 kV AC (50 Hz, 1 min., test voltage)
Conformance	CE-compliant, additionally EN 61326
ATEX	# II (1) G [Ex ia Ga] IIC
	# II (1) D [Ex ia Da] IIIC
	# II 3 (1) G Ex nA [ia Ga] IIC T4 Gc
IECEX	[Ex ia Ga] IIC

# Repeater power supply - MACX MCR-EX-SL-RPSSI-2I-SP - 2924236

## Technical data

### General

	[Ex ia Da] IIIC
	Ex nA [ia Ga] IIC T4 Gc
UL, USA/Canada	Class I Div 2; IS for Class I, II, III Div 1
SIL	2

### Data communication (bypass)

HART function	Yes
Protocols supported	HART

### Safety data

Operation	Repeater power supply operation
Max. output voltage $U_o$	25.2 V
Max. output current $I_o$	93 mA
Max. output power $P_o$	587 mW
Group	IIC
Max. external inductivity $L_o$	2 mH
Max. external capacity $C_o$	107 nF
Group	IIB
Max. external inductivity $L_o$	4 mH
Max. external capacity $C_o$	820 nF
Safety-related maximum voltage $U_m$	253 V AC (125 V DC)
Operation	Signal conditioner operation
Input voltage $U_i$	$\leq 30$ V
Input current $I_i$	$\leq 150$ mA
Max. internal inductance $L_i$	negligible
Max. internal capacitance $C_i$	negligible

### Standards and Regulations

Electromagnetic compatibility	Conformance with EMC directive
Noise emission	EN 61000-6-4
Flammability rating according to UL 94	V0
Conformance	CE-compliant, additionally EN 61326
ATEX	# II (1) G [Ex ia Ga] IIC
	# II (1) D [Ex ia Da] IIIC
	# II 3 (1) G Ex nA [ia Ga] IIC T4 Gc
IECEX	[Ex ia Ga] IIC
	[Ex ia Da] IIIC
	Ex nA [ia Ga] IIC T4 Gc
UL, USA/Canada	Class I Div 2; IS for Class I, II, III Div 1
DNV GL-Temperature	B
DNV GL-Humidity	B
DNV GL-Vibration	A

# Repeater power supply - MACX MCR-EX-SL-RPSSI-2I-SP - 2924236

## Technical data

### Standards and Regulations

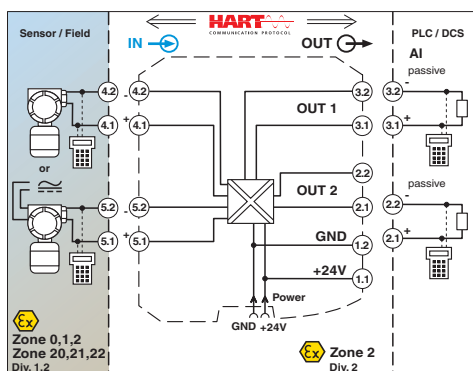
DNV GL-EMC	A
DNV GL-Enclosure	Required protection according to the Rules shall be provided upon installation on board
Group	IIC
	IIB

### Environmental Product Compliance

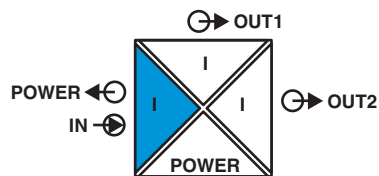
REACH SVHC	Lead 7439-92-1
China RoHS	Environmentally Friendly Use Period = 50
	For details about hazardous substances go to tab "Downloads", Category "Manufacturer's declaration"

## Drawings

Block diagram



Pictogram



## Approvals

### Approvals

#### Approvals

UL Listed / cUL Listed / Functional Safety / DNV GL / cULus Listed

#### Ex Approvals

IECEX / UL Listed / cUL Listed / EAC Ex / ATEX / cULus Listed

### Approval details

# Repeater power supply - MACX MCR-EX-SL-RPSSI-2I-SP - 2924236

## Approvals

UL Listed		<a href="http://database.ul.com/cgi-bin/XYV/template/LISEXT/1FRAME/index.htm">http://database.ul.com/cgi-bin/XYV/template/LISEXT/1FRAME/index.htm</a>	FILE E 330267
cUL Listed		<a href="http://database.ul.com/cgi-bin/XYV/template/LISEXT/1FRAME/index.htm">http://database.ul.com/cgi-bin/XYV/template/LISEXT/1FRAME/index.htm</a>	FILE E 330267
Functional Safety			BVS PB 13/10
DNV GL		<a href="https://approvalfinder.dnvgl.com/">https://approvalfinder.dnvgl.com/</a>	TAA000020C
cULus Listed			

Phoenix Contact 2019 © - all rights reserved  
<http://www.phoenixcontact.com>

PHOENIX CONTACT GmbH & Co. KG  
Flachsmarktstr. 8  
32825 Blomberg  
Germany  
Tel. +49 5235 300  
Fax +49 5235 3 41200  
<http://www.phoenixcontact.com>