

Solenoid driver - MACX MCR-EX-SL-SD-21-60-LP - 2865515

Please be informed that the data shown in this PDF Document is generated from our Online Catalog. Please find the complete data in the user's documentation. Our General Terms of Use for Downloads are valid (<http://phoenixcontact.com/download>)



Ex i solenoid driver. For the intrinsically safe control of Ex i solenoid valves, alarm modules or LEDs installed in the Ex area. Current limitation at 58 mA. For gases up to Group IIB, loop-powered, electrical isolation, SIL 3. Screw connection.

Your advantages

- ✓ Mechanically compatible with the DIN rail connector
- ✓ Various output characteristic curves compatible with standard solenoid valves
- ✓ Loop-powered: the required power is supplied via the control signal on the input side.
- ✓ Installation in zone 2, protection type "n" (EN 60079-15) permitted
- ✓ Up to SIL 3 according to IEC 61508
- ✓ 2-way electrical isolation
- ✓ Input 19.2 ... 30 V DC
- ✓ Output [Ex ia] IIB



Key Commercial Data

Packing unit	1 pc
GTIN	
GTIN	4046356160575

Technical data

Note

Utilization restriction	EMC: class A product, see manufacturer's declaration in the download area
-------------------------	---

Dimensions

Width	12.5 mm
Height	99 mm
Depth	114.5 mm

Ambient conditions

Solenoid driver - MACX MCR-EX-SL-SD-21-60-LP - 2865515

Technical data

Ambient conditions

Ambient temperature (operation)	-40 °C ... 60 °C (any mounting position, pay attention to the derating curve in the data sheet)
Ambient temperature (storage/transport)	-40 °C ... 80 °C
Maximum altitude	≤ 2000 m
Permissible humidity (operation)	10 % ... 95 % (non-condensing)
Degree of protection	IP20
Noise immunity	EN 61000-6-2

Output data

Output characteristic curve: Output resistor	133.4 Ω (Internal resistance R _i)
Response time	20 ms

Compatible valves

Note	This is an extract of possible combinations of valves and solenoid drivers.
Compatible valve	ASCO Coil 302 (12 V)
	ASCO Coil 302 (24 V)
	Bürkert Coil AC 10 standard
	Bürkert Coil AC 10 high resistance
	FESTO Coil MFH-...IA-SA-EX GBXE022AIAD03
	FESTO Coil (J)MFH-...BIA-SA-EX GBXE022AIAD03
	Norgren Herion Coil 2050
	Norgren Herion Coil 2051
	Norgren Herion Coil 2052
	Norgren Herion Coil 2053
	Parker Coil VZ95 482160.01 EEx ia IIB T6

Power supply

Power dissipation	< 1.325 W
-------------------	-----------

Connection data

Connection method	Screw connection
Stripping length	7 mm
Screw thread	M3
Conductor cross section solid	0.2 mm ² ... 2.5 mm ²
Conductor cross section flexible	0.2 mm ² ... 2.5 mm ²
Conductor cross section AWG	24 ... 14
Torque	0.5 Nm ... 0.6 Nm

General

No. of channels	1
Maximum temperature coefficient	0.01 %/K
Status display	Yellow LED (switching state / status, lights up when output circuit is active)

Solenoid driver - MACX MCR-EX-SL-SD-21-60-LP - 2865515

Technical data

General

Flammability rating according to UL 94	V0
Degree of pollution	2
Overvoltage category	II
Electromagnetic compatibility	Conformance with EMC directive
Interference emission	EN 61000-6-4
Housing material	PA 6.6-FR
Color	gray
Designation	Output/input
Electrical isolation	375 V (Peak value in accordance with EN 60079-11)
	300 V _{rms} (Rated insulation voltage (overvoltage category II; degree of pollution 2, safe isolation as per EN 61010-1))
	2.5 kV (50 Hz, 1 min., test voltage)
Conformance	CE-compliant, additionally EN 61326
ATEX	# II (1) G [Ex ia Ga] IIB/IIA
	# II (1) D [Ex ia Da] IIIC
	# II 3 (1)G Ex nA [ia IIB Ga] IIC T4 Gc X
IECEX	[Ex ia Ga] IIB/IIA
	[Ex ia Da] IIIC
	Ex nA [ia IIB Ga] IIC T4 Gc
UL, USA/Canada	Class I Div 2; IS for Class I, II, III Div 1
SIL	3

Safety characteristic data

Integrity requirement	IEC 61508 - Low demand
Equipment type	Type A
Safety Integrity Level (SIL)	3
Safe Failure Fraction (SFF)	100 %
λ_{SU}	2.84×10^{-7} (284 FIT)
λ_{SD}	0
λ_{DU}	0
λ_{DD}	0
Probability of a hazardous failure on demand (PFD _{AVG})	0 (1 year)
	0 (5 years)
	0 (10 years)
Diagnostic coverage (DC)	DC _S =0 %, DC _D =0 %

Safety data

Input power P _i	negligible
Max. internal inductance L _i	negligible
Max. internal capacitance C _i	negligible
Max. output voltage U _o	25.1 V

Solenoid driver - MACX MCR-EX-SL-SD-21-60-LP - 2865515

Technical data

Safety data

Max. output current I_o	188 mA
Max. output power P_o	1.18 W
Group	IIB
Max. external inductivity L_o	4 mH
Max. external capacity C_o	0.83 μ F
Group	IIA
Max. external inductivity L_o	7.5 mH
Max. external capacity C_o	2.93 μ F
Safety-related maximum voltage U_m	253 V AC (125 V DC)

Standards and Regulations

Electromagnetic compatibility	Conformance with EMC directive
Noise emission	EN 61000-6-4
Flammability rating according to UL 94	V0
Conformance	CE-compliant, additionally EN 61326
ATEX	# II (1) G [Ex ia Ga] IIB/IIA
	# II (1) D [Ex ia Da] IIIC
	# II 3 (1)G Ex nA [ia IIB Ga] IIC T4 Gc X
IECEX	[Ex ia Ga] IIB/IIA
	[Ex ia Da] IIIC
	Ex nA [ia IIB Ga] IIC T4 Gc
UL, USA/Canada	Class I Div 2; IS for Class I, II, III Div 1
DNV GL-Temperature	B
DNV GL-Humidity	B
DNV GL-Vibration	A
DNV GL-EMC	A
DNV GL-Enclosure	Required protection according to the Rules shall be provided upon installation on board
Group	IIB
	IIA

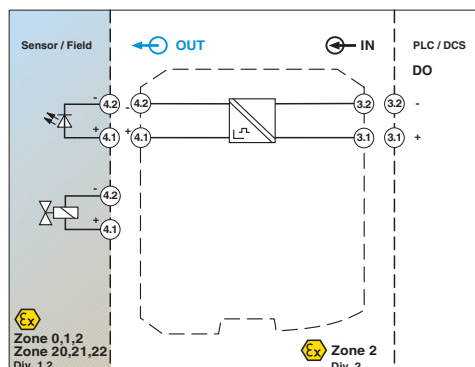
Environmental Product Compliance

China RoHS	Environmentally Friendly Use Period = 50
	For details about hazardous substances go to tab "Downloads", Category "Manufacturer's declaration"

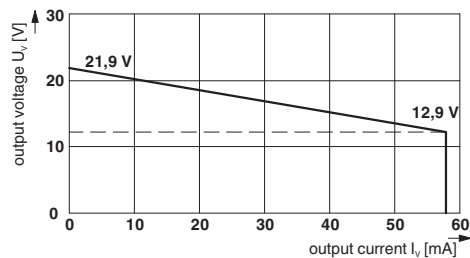
Drawings

Solenoid driver - MACX MCR-EX-SL-SD-21-60-LP - 2865515

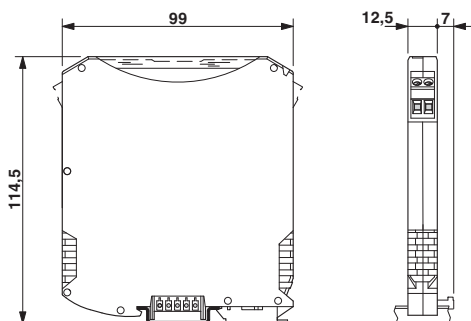
Block diagram



Diagram



Dimensional drawing



Approvals

Approvals

Approvals

UL Listed / cUL Listed / Functional Safety / DNV GL / cULus Listed

Ex Approvals

IECEX / ATEX / UL Listed / cUL Listed / EAC Ex / cULus Listed

Approval details

UL Listed		http://database.ul.com/cgi-bin/XYV/template/LISEXT/1FRAME/index.htm	FILE E 330267
-----------	--	---	---------------

cUL Listed		http://database.ul.com/cgi-bin/XYV/template/LISEXT/1FRAME/index.htm	FILE E 330267
------------	--	---	---------------

Solenoid driver - MACX MCR-EX-SL-SD-21-60-LP - 2865515

Approvals

Functional Safety	16/04-017 R025 V1R1
-------------------	------------------------

DNV GL		https://approvalfinder.dnvgl.com/	TAA000020C
--------	---	---	------------

cULus Listed	
--------------	---

Phoenix Contact 2019 © - all rights reserved
<http://www.phoenixcontact.com>

PHOENIX CONTACT GmbH & Co. KG
Flachsmarktstr. 8
32825 Blomberg
Germany
Tel. +49 5235 300
Fax +49 5235 3 41200
<http://www.phoenixcontact.com>