

# Power/input isolating amplifier - MACX MCR-SL-RPSSI-I - 2865955

Please be informed that the data shown in this PDF Document is generated from our Online Catalog. Please find the complete data in the user's documentation. Our General Terms of Use for Downloads are valid (<http://phoenixcontact.com/download>)




Repeater power supply and input isolating amplifier, HART. Transfers supplied or active 0/4 - 20 mA signals to a load (active or passive). 3-way electrical isolation, SIL 2 according to IEC 61508.

## Your advantages

- ✓ Power supply possible via DIN rail connector
- ✓ Up to SIL 2 according to EN 61508
- ✓ Installation in zone 2, protection type "n" (EN 60079-15) permitted
- ✓ 3-way electrical isolation
- ✓ Terminal point with 250 Ω resistor to increase HART impedance for low-resistance systems
- ✓ Plug-in screw or spring-cage connection technology (Push-in technology), with integrated sockets for HART communicators
- ✓ Bidirectional transmission of digital HART communication signals
- ✓ 0/4 ... 20 mA output (active or passive)
- ✓ 0/4 ... 20 mA input (powered or not powered)



## Key Commercial Data

Packing unit	1 pc
GTIN	 4 046356 448314
GTIN	4046356448314

## Technical data

### Note

Utilization restriction	EMC: class A product, see manufacturer's declaration in the download area
-------------------------	---

### Dimensions

Width	12.5 mm
Height	112.5 mm
Depth	114.5 mm

# Power/input isolating amplifier - MACX MCR-SL-RPSSI-I - 2865955

## Technical data

### Ambient conditions

Ambient temperature (operation)	-20 °C ... 60 °C (Any mounting position)
Ambient temperature (storage/transport)	-40 °C ... 80 °C
Maximum altitude	≤ 2000 m
Permissible humidity (operation)	10 % ... 95 % (non-condensing)
Noise immunity	EN 61000-6-2 When being exposed to interference, there may be minimal deviations.

### Input data

Signal input	Active current input
Current input signal	4 mA ... 20 mA
Transmitter supply voltage	> 21.5 V (20 mA)
	> 20.8 V (24 mA)
Underload/overload signal range	0 mA ... 24 mA (Extended transmission range for diagnostics)
Signal input	Passive current input
Current input signal	0 mA ... 20 mA
	4 mA ... 20 mA
Voltage drop	< 3.5 V (in input isolating amplifier operation)
Underload/overload signal range	0 mA ... 24 mA (Extended transmission range for diagnostics)

### Output data

Signal output	Current output (active and passive)
Current output signal	4 mA ... 20 mA (active)
	4 mA ... 20 mA (14 ... 26 V ext. source voltage)
Transmission Behavior	1:1 to input signal
Load/output load current output	< 1000 Ω (20 mA)
	< 825 Ω (24 mA)
Output ripple	< 20 mV <sub>rms</sub>
Output behavior in the event of an error	0 mA (Cable break in the input)
	≥ 22.5 mA (Cable short-circuit in the input)
Signal output	Current output (active and passive)
Current output signal	0 mA ... 20 mA (active)
	4 mA ... 20 mA (active)
	0 mA ... 20 mA (14 ... 26 V ext. source voltage)
	4 mA ... 20 mA (14 ... 26 V ext. source voltage)
Transmission Behavior	1:1 to input signal
Load/output load current output	< 1000 Ω (20 mA)
	< 825 Ω (24 mA)
Output ripple	< 20 mV <sub>rms</sub>
Output behavior in the event of an error	0 mA (Cable break in the input)
	0 mA (Cable short-circuit in the input)

### Power supply

# Power/input isolating amplifier - MACX MCR-SL-RPSSI-I - 2865955

## Technical data

### Power supply

Designation	Repeater power supply operation
Nominal supply voltage	24 V DC
Supply voltage range	19.2 V DC ... 30 V DC (24 V DC -20%...+25%)
Max. current consumption	< 76 mA (24 V DC / 20 mA / 1000 #)
Power dissipation	< 1.1 W (24 V DC/ 20 mA)
Power consumption	< 1.8 W (20 mA / 1000 #)
Designation	Signal conditioner operation
Nominal supply voltage range	19.2 V DC ... 30 V DC (24 V DC -20%...+25%)
Max. current consumption	< 44 mA (24 V DC / 20 mA / 1000 #)
Power dissipation	< 0.75 W (24 V DC / 20 mA / 1000 #)

### Connection data

Conductor cross section solid min.	0.2 mm <sup>2</sup>
Conductor cross section solid max.	2.5 mm <sup>2</sup>
Conductor cross section flexible min.	0.2 mm <sup>2</sup>
Conductor cross section flexible max.	2.5 mm <sup>2</sup>
Conductor cross section AWG min.	24
Conductor cross section AWG max.	14
Stripping length	7 mm
Screw thread	M3
Connection method	Screw connection
Tightening torque, min	0.5 Nm
Tightening torque max	0.6 Nm

### General

No. of channels	1
Maximum transmission error	< 0.1 % (of final value)
Transmission error, typical	< 0.05 % (of final value)
Maximum temperature coefficient	< 0.01 %/K
Step response (10-90%)	< 200 µs (for jump 4 mA ... 20 mA, load 600 Ω)
	< 600 µs (for jump 0 mA ... 20 mA, load 600 Ω)
Status display	Green LED (supply voltage)
Flammability rating according to UL 94	V0
Degree of pollution	2
Overvoltage category	II
Electromagnetic compatibility	Conformance with EMC directive
Housing material	PA 6.6-FR
Color	gray
Designation	Input/output/power supply
Electrical isolation	300 V <sub>rms</sub> (Rated insulation voltage (overvoltage category II; degree of pollution 2, safe isolation as per EN 61010-1))
	2.5 kV (50 Hz, 1 min., test voltage)

# Power/input isolating amplifier - MACX MCR-SL-RPSSI-I - 2865955

## Technical data

### General

Designation	Input/output
Electrical isolation	375 V (Peak value in accordance with EN 60079-11)
Designation	Input/power supply
Electrical isolation	375 V (Peak value in accordance with EN 60079-11)
Conformance	CE-compliant, additionally EN 61326
ATEX	# II 3 G Ex nA II T4 Gc X
UL, USA/Canada	UL 61010 Listed
	UL 508 Listed
	Class I, Div. 2, Groups A, B, C, D T4
	Class I, Zone 2, Group IIC T4
SIL	2

### Data communication (bypass)

HART function	Yes
Protocols supported	HART

### Standards and Regulations

Electromagnetic compatibility	Conformance with EMC directive
Flammability rating according to UL 94	V0
Conformance	CE-compliant, additionally EN 61326
ATEX	# II 3 G Ex nA II T4 Gc X
UL, USA/Canada	UL 61010 Listed
	UL 508 Listed
	Class I, Div. 2, Groups A, B, C, D T4
	Class I, Zone 2, Group IIC T4
DNV GL-Temperature	B
DNV GL-Humidity	B
DNV GL-Vibration	A
DNV GL-EMC	A
DNV GL-Enclosure	Required protection according to the Rules shall be provided upon installation on board

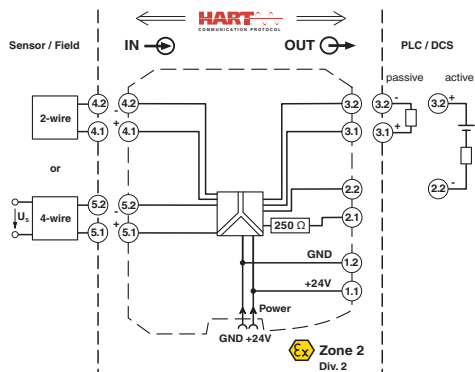
### Environmental Product Compliance

China RoHS	Environmentally Friendly Use Period = 50
	For details about hazardous substances go to tab "Downloads", Category "Manufacturer's declaration"

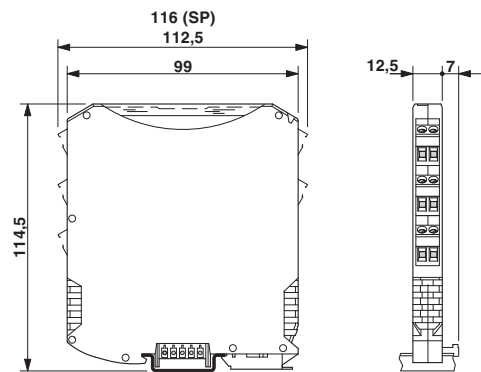
## Drawings

# Power/input isolating amplifier - MACX MCR-SL-RPSSI-I - 2865955

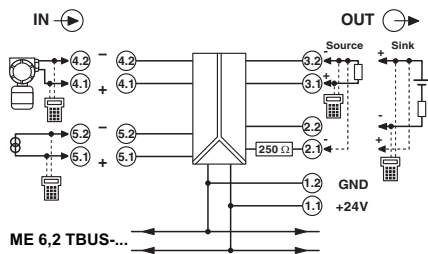
Block diagram



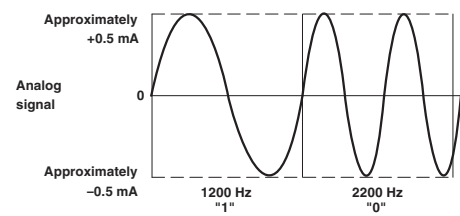
Dimensional drawing



Block diagram

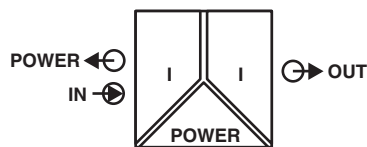


Diagram



Signal transmission analog and digital at the same time

Pictogram



Approvals

Approvals

Approvals

UL Listed / cUL Listed / Functional Safety / DNV GL / cULus Listed

# Power/input isolating amplifier - MACX MCR-SL-RPSSI-I - 2865955

## Approvals

Ex Approvals

ATEX / UL Listed / cUL Listed / EAC Ex / cULus Listed

### Approval details

UL Listed		<a href="http://database.ul.com/cgi-bin/XYV/template/LISEXT/1FRAME/index.htm">http://database.ul.com/cgi-bin/XYV/template/LISEXT/1FRAME/index.htm</a>	FILE E 330267
cUL Listed		<a href="http://database.ul.com/cgi-bin/XYV/template/LISEXT/1FRAME/index.htm">http://database.ul.com/cgi-bin/XYV/template/LISEXT/1FRAME/index.htm</a>	FILE E 330267
Functional Safety			BVS Pb 03/08
DNV GL		<a href="https://approvalfinder.dnvgl.com/">https://approvalfinder.dnvgl.com/</a>	TAA000020C
cULus Listed			

Phoenix Contact 2019 © - all rights reserved  
<http://www.phoenixcontact.com>

PHOENIX CONTACT GmbH & Co. KG  
Flachsmarktstr. 8  
32825 Blomberg  
Germany  
Tel. +49 5235 300  
Fax +49 5235 3 41200  
<http://www.phoenixcontact.com>