

## Signal conditioner - MACX MCR-UI-UI-UP-NC - 2811297

Please be informed that the data shown in this PDF Document is generated from our Online Catalog. Please find the complete data in the user's documentation. Our General Terms of Use for Downloads are valid (<http://phoenixcontact.com/download>)



Isolating amplifier with safe electrical isolation and wide-range power supply (24 V ... 230 V AC/DC). DIP switches on the front, over 1600 signal conversions can be set. Standard configuration (IN 0 ... 10 V/OUT 0 ... 20 mA), screw connection, SIL.

### Your advantages

- ✓ Over 1600 signal conversions can be set via DIP switches on the front
- ✓ Up to SIL 2 according to EN 61508
- ✓ Installation in zone 2 permitted
- ✓ Analog signal conditioner for isolating, filtering, amplifying, and converting standard analog signals
- ✓ Configurable input and output signals including bipolar current and voltage signals
- ✓ Status indicator for supply voltage
- ✓ Wide-range power supply of 19.2 ... 253 V AC/DC
- ✓ Plug-in screw or spring-cage connection technology (Push-in technology)
- ✓ 3-way electrical isolation
- ✓ Active or passive output



### Key Commercial Data

Packing unit	1 pc
GTIN	
GTIN	4046356288910

### Technical data

#### Note

Utilization restriction	EMC: class A product, see manufacturer's declaration in the download area
-------------------------	---

#### Dimensions

Width	12.5 mm
Height	99 mm

# Signal conditioner - MACX MCR-UI-UI-UP-NC - 2811297

## Technical data

### Dimensions

Depth	114.5 mm
-------	----------

### Ambient conditions

Ambient temperature (operation)	-20 °C ... 70 °C
Ambient temperature (storage/transport)	-40 °C ... 85 °C
Maximum altitude	≤ 2000 m
Degree of protection	IP20
Noise immunity	EN 61000-6-2 When being exposed to interference, there may be minimal deviations.

### Input data

Number of inputs	1
Voltage input signal	0 mV ... 50 mV
	0 mV ... 60 mV
	0 mV ... 75 mV
	0 mV ... 100 mV
	0 mV ... 120 mV
	0 mV ... 150 mV
	0 mV ... 200 mV
	0 mV ... 300 mV
	0 mV ... 500 mV
	0 V ... 1 V
	0 V ... 1.5 V
	0 V ... 2 V
	0 V ... 3 V
	0 V ... 5 V
	0 V ... 10 V (Configurable via DIP switches)
	0 V ... 15 V
	0 V ... 20 V
	0 V ... 30 V
	0 V ... 50 V
	0 V ... 100 V
	-50 mV ... 50 mV
	-60 mV ... 60 mV
	-75 mV ... 75 mV
	-100 mV ... 100 mV
	-120 mV ... 120 mV
	-150 mV ... 150 mV
	-200 mV ... 200 mV
	-300 mV ... 300 mV
	-500 mV ... 500 mV
	-1 V ... 1 V

# Signal conditioner - MACX MCR-UI-UI-UP-NC - 2811297

## Technical data

### Input data

	-1.5 V ... 1.5 V
	-2 V ... 2 V
	-3 V ... 3 V
	-5 V ... 5 V
	-10 V ... 10 V
	-15 V ... 15 V
	-20 V ... 20 V
	-30 V ... 30 V
	-50 V ... 50 V
	-100 V ... 100 V
	1 V ... 5 V
	2 V ... 10 V
Current input signal	0 mA ... 1 mA (Configurable via DIP switches)
	0 mA ... 1.5 mA
	0 mA ... 2 mA
	0 mA ... 3 mA
	0 mA ... 5 mA
	0 mA ... 10 mA
	0 mA ... 15 mA
	0 mA ... 20 mA
	0 mA ... 30 mA
	0 mA ... 50 mA
	0 mA ... 100 mA
	-1 mA ... 1 mA
	-1.5 mA ... 1.5 mA
	-2 mA ... 2 mA
	-3 mA ... 3 mA
	-5 mA ... 5 mA
	-10 mA ... 10 mA
	-15 mA ... 15 mA
	-20 mA ... 20 mA
	-30 mA ... 30 mA
	-50 mA ... 50 mA
	-100 mA ... 100 mA
	1 mA ... 5 mA
	2 mA ... 10 mA
	4 mA ... 20 mA
max. input voltage	± 100 V
Max. input current	± 100 mA
Input resistance of voltage input	approx. 1 MΩ (± 1 V DC ... ± 100 V DC)

# Signal conditioner - MACX MCR-UI-UI-UP-NC - 2811297

## Technical data

### Input data

Input resistance current input	approx. 10 Ω (± 10 mA DC ... ± 100 mA DC)
--------------------------------	---

### Output data

Number of outputs	1
Configurable/programmable	Yes, can be switched
Voltage output signal	0 V ... 10 V (Configurable via DIP switches)
	0 V ... 5 V
	2 V ... 10 V
	1 V ... 5 V
	-10 V ... 10 V
	-5 V ... 5 V
	0 V ... 2.5 V
	0.5 V ... 2.5 V
	-2.5 V ... 2.5 V
Current output signal	0 mA ... 5 mA
	0 mA ... 10 mA
	0 mA ... 20 mA (Configurable via DIP switches)
	1 mA ... 5 mA
	2 mA ... 10 mA
	4 mA ... 20 mA
	-5 mA ... 5 mA
	-10 mA ... 10 mA
	-20 mA ... 20 mA
Max. output voltage	15 V
Max. output current	35 mA
Load/output load voltage output	≥ 1 kΩ (10 V)
Load/output load current output	≤ 600 Ω (20 mA; active)
	passive: $\leq (U_B - 2 V) / I_{outmax}$
Ripple	< 10 mV <sub>rms</sub>

### Power supply

Supply voltage range	24 V ... 230 V AC/DC (-20 %/+10 %, 50/60 Hz)
----------------------	--

### Connection data

Connection method	Screw connection
Connection technology	COMBICON
Stripping length	8 mm
Screw thread	M3
Conductor cross section solid	0.2 mm <sup>2</sup> ... 2.5 mm <sup>2</sup>
Conductor cross section flexible	0.2 mm <sup>2</sup> ... 2.5 mm <sup>2</sup>
Conductor cross section AWG	24 ... 14

### General

# Signal conditioner - MACX MCR-UI-UI-UP-NC - 2811297

## Technical data

### General

No. of channels	1
Maximum transmission error	≤ 0.1 % (Compared to the final value)
Maximum temperature coefficient	0.0075 %/K
Limit frequency (3 dB)	10 kHz (Can be switched to 30 Hz)
Alignment zero	± 4 %
Alignment span	± 4 %
Step response (10-90%)	35 µs (at 10 kHz) 11 ms (At 30 Hz)
Protective circuit	Transient protection
Overvoltage category	II
Degree of pollution	2
Rated insulation voltage	300 V AC
Electromagnetic compatibility	Conformance with EMC directive
Noise immunity	EN 61000-6-2 When being exposed to interference, there may be minimal deviations.
Color	gray
Housing material	PA 6.6-FR
Mounting position	any
Conformance	CE-compliant
ATEX	# II 3 G Ex nA IIC T4 Gc
IECEX	Ex nA IIC T4 Gc
UL, USA/Canada	UL 61010 Listed Class I, Div. 2, Groups A, B, C, D T6 Class I, Zone 2, Group IIC
Certificate of classification	DNV GL TAA00000AG

### Standards and Regulations

Electromagnetic compatibility	Conformance with EMC directive
Conformance	CE-compliant
ATEX	# II 3 G Ex nA IIC T4 Gc
IECEX	Ex nA IIC T4 Gc
UL, USA/Canada	UL 61010 Listed Class I, Div. 2, Groups A, B, C, D T6 Class I, Zone 2, Group IIC
DNV GL-Temperature	B
DNV GL-Humidity	B
DNV GL-Vibration	A
DNV GL-EMC	B
DNV GL-Enclosure	Required protection according to the Rules shall be provided upon installation on board

### Environmental Product Compliance

# Signal conditioner - MACX MCR-UI-UI-UP-NC - 2811297

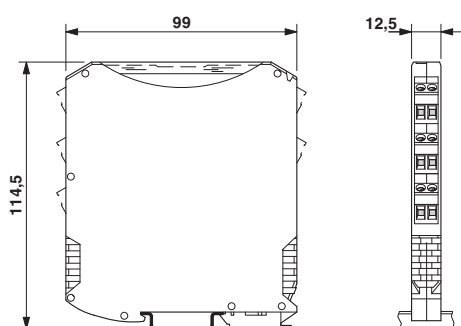
## Technical data

### Environmental Product Compliance

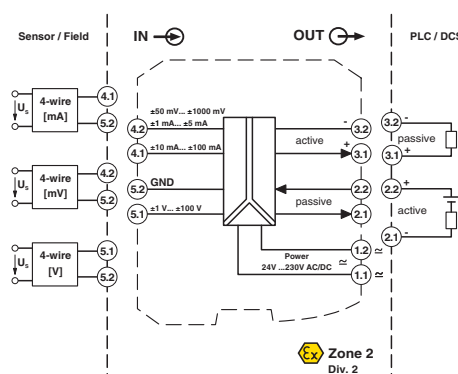
REACH SVHC	Lead 7439-92-1
China RoHS	Environmentally Friendly Use Period = 50
	For details about hazardous substances go to tab "Downloads", Category "Manufacturer's declaration"

## Drawings

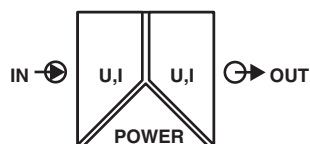
Dimensional drawing



Block diagram

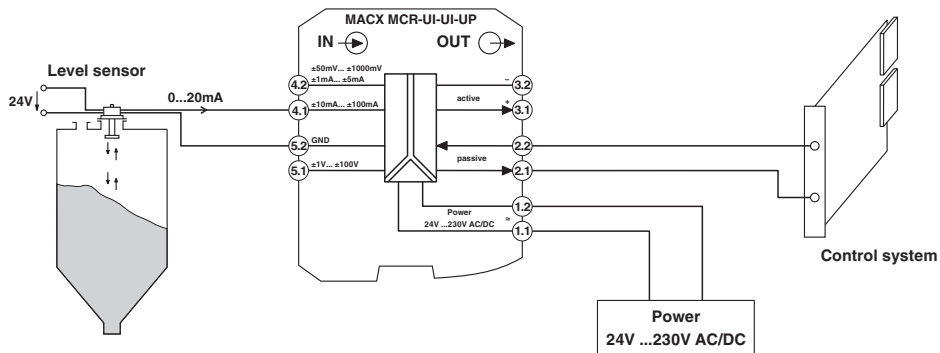


Pictogram



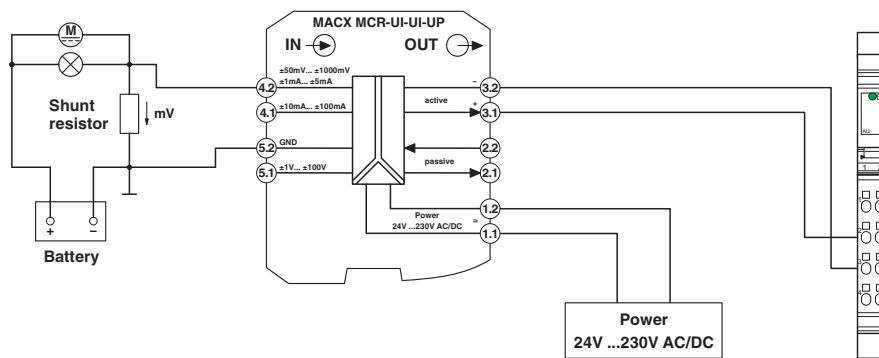
# Signal conditioner - MACX MCR-UI-UI-UP-NC - 2811297

Application drawing



Level measurement with analog input terminals (active input card)

Application drawing



Shunt measurement and Inline terminal with analog input channels within an Inline station (passive input card)

## Approvals

### Approvals

Approvals

DNV GL / UL Listed / cUL Listed / Functional Safety / cULus Listed

Ex Approvals


IECEX / ATEX / UL Listed / cUL Listed / EAC Ex / cULus Listed


### Approval details

DNV GL		<a href="https://approvalfinder.dnvgl.com/">https://approvalfinder.dnvgl.com/</a>	TAA0000AG
--------	--	---	-----------

# Signal conditioner - MACX MCR-UI-UI-UP-NC - 2811297

## Approvals

UL Listed		<a href="http://database.ul.com/cgi-bin/XYV/template/LISEXT/1FRAME/index.htm">http://database.ul.com/cgi-bin/XYV/template/LISEXT/1FRAME/index.htm</a>	FILE E 330267
-----------	---	---	---------------

cUL Listed		<a href="http://database.ul.com/cgi-bin/XYV/template/LISEXT/1FRAME/index.htm">http://database.ul.com/cgi-bin/XYV/template/LISEXT/1FRAME/index.htm</a>	FILE E 330267
------------	---	---	---------------

Functional Safety			BVS Pb 02/09
-------------------	--	--	--------------

cULus Listed			
--------------	---	--	--

Phoenix Contact 2019 © - all rights reserved  
<http://www.phoenixcontact.com>

PHOENIX CONTACT GmbH & Co. KG  
Flachsmarktstr. 8  
32825 Blomberg  
Germany  
Tel. +49 5235 300  
Fax +49 5235 3 41200  
<http://www.phoenixcontact.com>