

## Isolation amplifier - MACX MCR-SL-NAM-R - 2865997

Please be informed that the data shown in this PDF Document is generated from our Online Catalog. Please find the complete data in the user's documentation. Our General Terms of Use for Downloads are valid (<http://phoenixcontact.com/download>)




NAMUR signal conditioners for operating proximity sensors and switches. The signals are transmitted to the control level via relay output (changeover contact). Line fault detection (LFD), 3-way electrical isolation, SIL 2, with screw connection.

### Your advantages

- ✓ Power supply and error indication possible via DIN rail connector
- ✓ Installation in zone 2, protection type "n" (EN 60079-15) permitted
- ✓ Up to SIL 2 according to EN 61508
- ✓ Line fault detection (LFD), can be activated/deactivated, error indicated by red flashing LED with de-excitation of output relay
- ✓ LED indicators for supply voltage, switching state, and malfunction according to NAMUR NE 44
- ✓ 3-way electrical isolation
- ✓ Input for NAMUR proximity sensors (EN 60947-5-6), floating contacts or contacts with resistance circuit
- ✓ Relay signal output (PDT)
- ✓ Direction of operation can be selected (operating or closed circuit current behavior)



### Key Commercial Data

Packing unit	1 pc
GTIN	 4 046356 466981
GTIN	4046356466981

### Technical data

#### Note

Utilization restriction	EMC: class A product, see manufacturer's declaration in the download area
-------------------------	---

#### Dimensions

Width	12.5 mm
Height	112.5 mm
Depth	114.5 mm

# Isolation amplifier - MACX MCR-SL-NAM-R - 2865997

## Technical data

### Ambient conditions

Ambient temperature (operation)	-20 °C ... 60 °C (Any mounting position)
Ambient temperature (storage/transport)	-40 °C ... 85 °C
Maximum altitude	≤ 2000 m
Permissible humidity (operation)	10 % ... 95 % (non-condensing)
Noise immunity	EN 61000-6-2 EN 61326

### Input data

Non-load voltage	~ 8 V DC
Switching points (attenuated)	< 1.2 mA (blocking)
Switching points (unattenuated)	> 2.1 mA (conductive)
Available input sources	NAMUR proximity sensors (EN 60947-5-6)
Short-circuit current	~ 8 mA
Switching hysteresis	< 0.2 mA
Line fault detection	Break 0.05 mA < IIN < 0.35 mA
	Short circuit 100 Ω < RSensor < 360 Ω

### Output data

Switching output	Relay output
Contact type	1 PDT
Contact material	AgSnO <sub>2</sub> , hard gold-plated
Maximum switching voltage	250 V AC (2 A)
	120 V DC (0.2 A)
	30 V DC (2 A)
Maximum switching capacity	500 VA
Mechanical service life	10 <sup>7</sup> cycles
Switching frequency	≤ 20 Hz (without load)

### Power supply

Nominal supply voltage	24 V DC
Supply voltage range	19.2 V DC ... 30 V DC (24 V DC -20%...+25%)
Max. current consumption	21 mA (24 V DC)
Power dissipation	< 650 mW
Power consumption	< 650 mW

### Connection data

Conductor cross section solid min.	0.2 mm <sup>2</sup>
Conductor cross section solid max.	2.5 mm <sup>2</sup>
Conductor cross section flexible min.	0.2 mm <sup>2</sup>
Conductor cross section flexible max.	2.5 mm <sup>2</sup>
Conductor cross section AWG min.	24
Conductor cross section AWG max.	14
Stripping length	7 mm
Screw thread	M3

# Isolation amplifier - MACX MCR-SL-NAM-R - 2865997

## Technical data

### Connection data

Connection method	Screw connection
Tightening torque, min	0.5 Nm
Tightening torque max	0.6 Nm

### General

No. of channels	1
Status display	Green LED (supply voltage) LED yellow (switching state) Red LED (line errors)
Flammability rating according to UL 94	V0
Degree of pollution	2
Overvoltage category	II
Electromagnetic compatibility	Conformance with EMC directive
Interference emission	EN 61000-6-4
Housing material	PA 6.6-FR
Color	gray
Designation	Input/output
Electrical isolation	375 V (Peak value in accordance with EN 60079-11)
Designation	Input/output/supply, DIN rail connector
Electrical isolation	300 V <sub>rms</sub> (Rated insulation voltage (overvoltage category II; degree of pollution 2, safe isolation as per EN 61010-1)) 2.5 kV (50 Hz, 1 min., test voltage)
Designation	Output/input, supply, TBUS
Electrical isolation	300 V <sub>rms</sub> (Rated insulation voltage (overvoltage category III; degree of pollution 2, safe isolation as per EN 61010-1)) 2.5 kV (50 Hz, 1 min., test voltage)
Designation	Input/supply, DIN rail connector
Electrical isolation	375 V (Peak value in accordance with EN 60079-11)
Conformance	CE-compliant, additionally EN 61326-1
ATEX	# II 3 G Ex nA nC IIC T4 Gc X
UL, USA/Canada	UL 508 Listed UL 61010 Listed Class I, Div. 2, Groups A, B, C, D T4 Class I, Zone 2, Group IIC T4
SIL	2

### Safety characteristic data

Integrity requirement	IEC 61508 - Low demand
Designation	Non-inverted operation
Equipment type	Type A
Safety Integrity Level (SIL)	2
Safe Failure Fraction (SFF)	78 %

# Isolation amplifier - MACX MCR-SL-NAM-R - 2865997

## Technical data

### Safety characteristic data

$\lambda_{SU}$	$2.49 \times 10^{-7}$ (249 FIT)
$\lambda_{SD}$	$6 \times 10^{-9}$ (6 FIT)
$\lambda_{DU}$	$6.4 \times 10^{-8}$ (64 FIT)
$\lambda_{DD}$	$7 \times 10^{-9}$ (7 FIT)
Probability of a hazardous failure on demand (PFD <sub>AVG</sub> )	$3.09 \times 10^{-4}$ (1 year)
	$6.17 \times 10^{-4}$ (2 years)
	$1.54 \times 10^{-3}$ (5 years)
Diagnostic coverage (DC)	DC <sub>S</sub> = 2.4 %, DC <sub>D</sub> = 9 %
Integrity requirement	IEC 61508 - Low demand
Designation	Inverted operation
Equipment type	Type A
Safety Integrity Level (SIL)	2
Safe Failure Fraction (SFF)	78 %
$\lambda_{SU}$	$2.48 \times 10^{-7}$ (248 FIT)
$\lambda_{SD}$	$1 \times 10^{-9}$ (1 FIT)
$\lambda_{DU}$	$6.2 \times 10^{-8}$ (62 FIT)
$\lambda_{DD}$	$6 \times 10^{-9}$ (6 FIT)
Probability of a hazardous failure on demand (PFD <sub>AVG</sub> )	$3.01 \times 10^{-4}$ (1 year)
	$6.02 \times 10^{-4}$ (2 years)
	$1.5 \times 10^{-3}$ (5 years)
Diagnostic coverage (DC)	DC <sub>S</sub> = 0.4 %, DC <sub>D</sub> = 8 %
Safety Integrity Level (SIL)	1

### Standards and Regulations

Electromagnetic compatibility	Conformance with EMC directive
Noise emission	EN 61000-6-4
Flammability rating according to UL 94	V0
Conformance	CE-compliant, additionally EN 61326-1
ATEX	# II 3 G Ex nA nC IIC T4 Gc X
UL, USA/Canada	UL 508 Listed
	UL 61010 Listed
	Class I, Div. 2, Groups A, B, C, D T4
	Class I, Zone 2, Group IIC T4
DNV GL-Temperature	B
DNV GL-Humidity	B
DNV GL-Vibration	A
DNV GL-EMC	B
DNV GL-Enclosure	Required protection according to the Rules shall be provided upon installation on board

# Isolation amplifier - MACX MCR-SL-NAM-R - 2865997

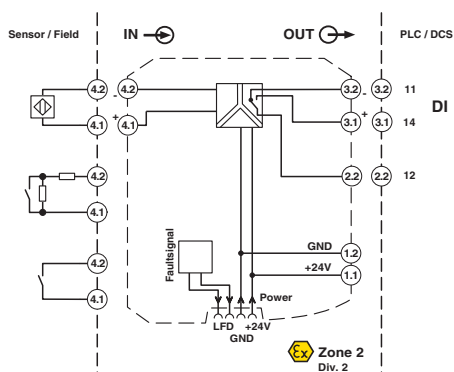
## Technical data

### Environmental Product Compliance

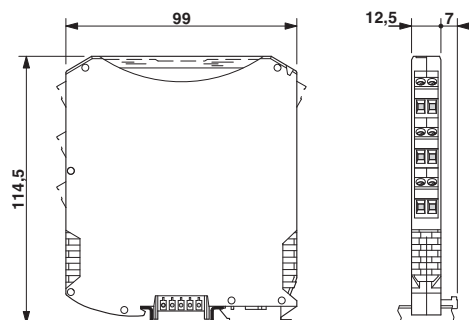
China RoHS	Environmentally Friendly Use Period = 50
	For details about hazardous substances go to tab "Downloads", Category "Manufacturer's declaration"

## Drawings

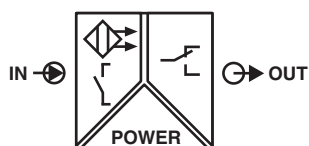
Block diagram



Dimensional drawing



Pictogram



## Approvals

### Approvals

#### Approvals

DNV GL / UL Listed / cUL Listed / Functional Safety / cULus Listed

#### Ex Approvals

ATEX / UL Listed / cUL Listed / EAC Ex / cULus Listed

# Isolation amplifier - MACX MCR-SL-NAM-R - 2865997

## Approvals

### Approval details

DNV GL		<a href="https://approvalfinder.dnvgl.com/">https://approvalfinder.dnvgl.com/</a>	TAA00000AG
--------	--	---	------------

UL Listed		<a href="http://database.ul.com/cgi-bin/XYV/template/LISEXT/1FRAME/index.htm">http://database.ul.com/cgi-bin/XYV/template/LISEXT/1FRAME/index.htm</a>	FILE E 330267
-----------	--	---	---------------

cUL Listed		<a href="http://database.ul.com/cgi-bin/XYV/template/LISEXT/1FRAME/index.htm">http://database.ul.com/cgi-bin/XYV/template/LISEXT/1FRAME/index.htm</a>	FILE E 330267
------------	--	---	---------------

Functional Safety			07-06-39 R005 V2R2
-------------------	--	--	--------------------

cULus Listed			
--------------	--	--	--

Phoenix Contact 2019 © - all rights reserved  
<http://www.phoenixcontact.com>

PHOENIX CONTACT GmbH & Co. KG  
Flachsmarktstr. 8  
32825 Blomberg  
Germany  
Tel. +49 5235 300  
Fax +49 5235 3 41200  
<http://www.phoenixcontact.com>