

## 5278-CWP

15 Amp, 125 Volt, NEMA 5-15P, 2P, 3W, Power Inlet Receptacle, Straight Blade, Industrial Grade, Grounding, , Standard Wire Wells Wired, Nylon Strap, - Gray

Leviton's Straight Blade Power Inlets are suitable for industrial indoor and outdoor applications. Glass-filled thermoplastic cover and plate provides outstanding impact resistance and durability. Stainless steel external hardware resists corrosive effects of moisture as dual gaskets, one under plate and one under lid, provide for a superior weather-resistant fit.



**UPC Code:** 078477018712

**Country Of Origin:** United States

**NEMA:**  
5-15P



### Technical Information

AC Horsepower Ratings

**At Rated Voltage:** 1/2 HP

Electrical Specifications

**Amperage:** 15 A

**Current Limiting:** Full Rated Current

**Dielectric Voltage:** Withstands 1500V per UL498

**Grounding:** Grounding

**Pole:** 2

**Temperature Rise:** Max 30C after 250 cycles OL at 200 percent rated current

**Voltage:** 125 VAC

**Wire:** 3

Environmental Specifications

**Environment:** Dry

**Flammability:** Rated V-2 per UL 94

**Operating Temperature:** -40°C to 60°C

Material Specifications

**Body Material:** Nylon

**Color:** Gray

**Cover and Plate Material:** Glass-Filled Thermoplastic

**Face Material:** Nylon

**Grounding Screw:** Brass 8-32

**Line Contacts:** Brass

**Strap Material:** Nylon

**Terminal Screws:** Brass 10-32

Mechanical Specifications

**Product ID:** Markings are permanently marked on device

**Terminal Accom.:** 18-10 AWG

**Terminal ID:** Brass-Hot, Green-Ground, Silver-Neutral

**Termination:** Standard Wire Wells

Product Features

**Color:** Gray

**Device Type:** Straight Blade Flanged Inlet

**NEMA:** 5-15P

Standards and Certifications

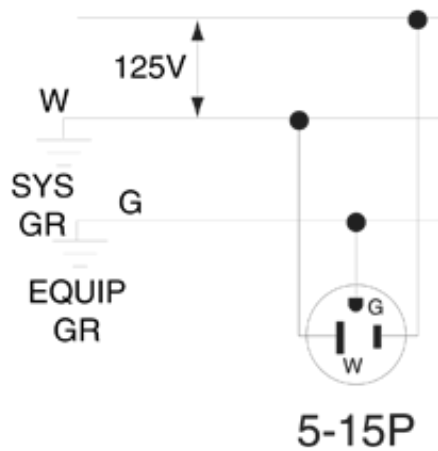
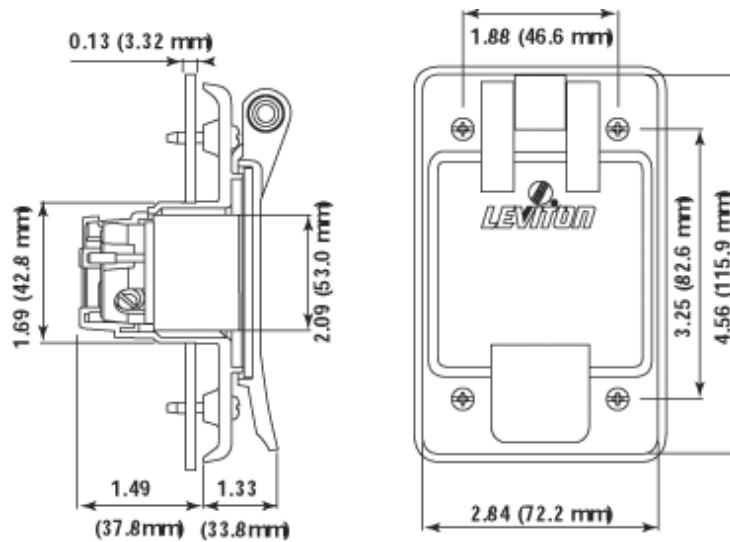
**ANSI:** C-73

**CSA C22.2 No. 42:** File LR-16347

**NEMA:** WD-6

**NOM:** 057

**UL498:** File E13393



### SPECIFICATION SUBMITTAL

JOB NAME:	CATALOG NUMBERS:	
<input type="text"/>	<input type="text"/>	<input type="text"/>
JOB NUMBER:	<input type="text"/>	<input type="text"/>

#### Leviton Manufacturing Co., Inc.

201 North Service Road, Melville, NY 11747

Telephone: +1-800-323-8920 · FAX: +1-800-832-9538 · Tech Line (8:30AM-7:30PM E.S.T. Monday-Friday):

+1-800-824-3005

#### Leviton Manufacturing of Canada, Ltd.

165 Hymus Boulevard, Pointe Claire, Quebec H9R 1E9 · Telephone: +1-800-469-7890 ·

FAX: +1-800-824-3005 · [www.leviton.com/canada](http://www.leviton.com/canada)

#### Leviton S. de R.L. de C.V.

Lago Tana 43, Mexico DF, Mexico CP 11290 · Tel.: (+52)55-5082-1040 · FAX: (+52)5386-

1797 · [www.leviton.com.mx](http://www.leviton.com.mx)

Visit our Website at: [www.leviton.com](http://www.leviton.com)

© 2018 Leviton Manufacturing Co., Inc. All Rights Reserved. Subject to change without notice.

#### Leviton has a global presence.

If you would like to know where your local Leviton office is located please go to:

[www.leviton.com/international/contacts/](http://www.leviton.com/international/contacts/)

