

JSmart705 Tech-Note

Field-ready HMI 5" TFT, PCAP touchscreen, Ethernet port PoE



- 5" TFT color display, resolution 800x480 pixel, 16M colors, dimmable backlight
- PCAP Touchscreen Multitouch
- 10/100 Ethernet port PoE
- ARM Cortex-A9 dual core CPU
- Full IP protection; ideal for mounting-arm installation
- Includes environment and motion sensors

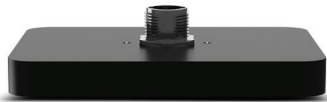
Highlights

JSmart705 is the ideal product for field installation in critical areas. High-resolution 5" display with multitouch PCAP touchscreen with a robust glass front; touchscreen/display bonding for fidget optical performance. Power-over-Ethernet (PoE) for maximum simplicity of connection using standard CAT5 wiring. Full IP protection with the use of dedicated connectors for the maximum flexibility of installation, from mounting arm to a simple M22 hole. The product includes a full set of environment and motion sensors to make this device a true IIoT edge device for Industry 4.0 applications.

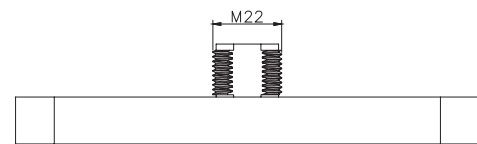
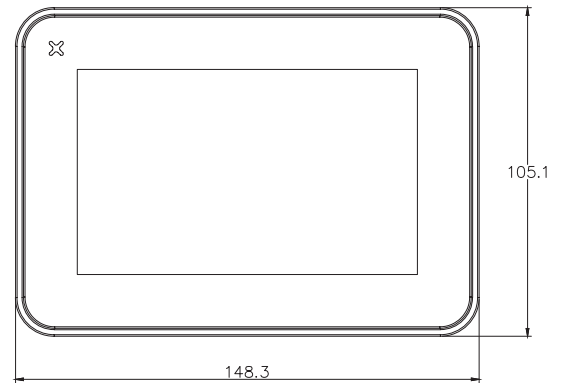
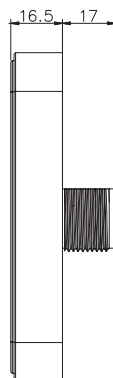
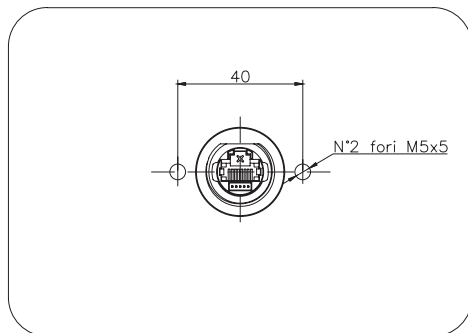
The JSmart product family has been optimized for use as an embedded browser or as a JMobile HMI device.

- Performing HTML5-compatible browser with graphic accelerator
- JMobile runtime with OPC UA Server and Client
- Optional CODESYS V3 PLC for integrated HMI and control applications
- Open platform for Linux applications
- Built-in sensors (temperature and acceleration)

JSmart705 - Technical Data



System Resources	
Display - Colors	5" TFT – 16M
Resolution	800x480
Brightness	300 cd/m ² typ.
Dimming	to 0%
Touchscreen	Projected capacitive – Multitouch
CPU	ARM Cortex-A9 dual core - 800 MHz
Operating System	Linux RT
Flash	4 GB
RAM	1 GB
FRAM	64 KB
Real Time Clock, RTC Back-up	Yes
Interface	
Ethernet port	10/100 PoE
USB port	1 (Host V2.0, max. 500 mA, available with special cable)
LED	1 RGB
Sensors	Temperature, 3-Axis Accelerometer
Buzzer	Yes
Ratings	
Power supply	IEEE 802.3af PoE
Power Consumption	6 W
Battery	Yes (rechargeable)
Environment Conditions	
Operating Temp	-20° to +55° C (vertical installation)
Storage Temp	-30°C to +80°C
Operating / Storage Humidity	5-85% RH, non-condensing
Protection Class	IP67 (requires appropriate accessories and cables)
Dimensions and Weights	
Faceplate LxH	148.3x105.1 mm (5.83x 4.13")
Depth D+T+T	16.5 mm (0.06")
Weight	0.5 Kg
Approvals	
CE	Emission EN 61000-6-4, Immunity EN 61000-6-2 for installation in industrial environment
UL	cULus: UL61010-1 / UL61010-2-201



Ordering Information

Model	Part Number	Description
JSmart705	+JS705BA0U5P1	Field-ready HMI 5" TFT with PCAP touchscreen