

**Professionally approved products.**

## Datasheet

**DC Axial Fan, 120 x 120 x 38.5mm, 124m/h, 4W, 24 V dc (OD1238 Series)**

RS Stock number [541-5378](#)

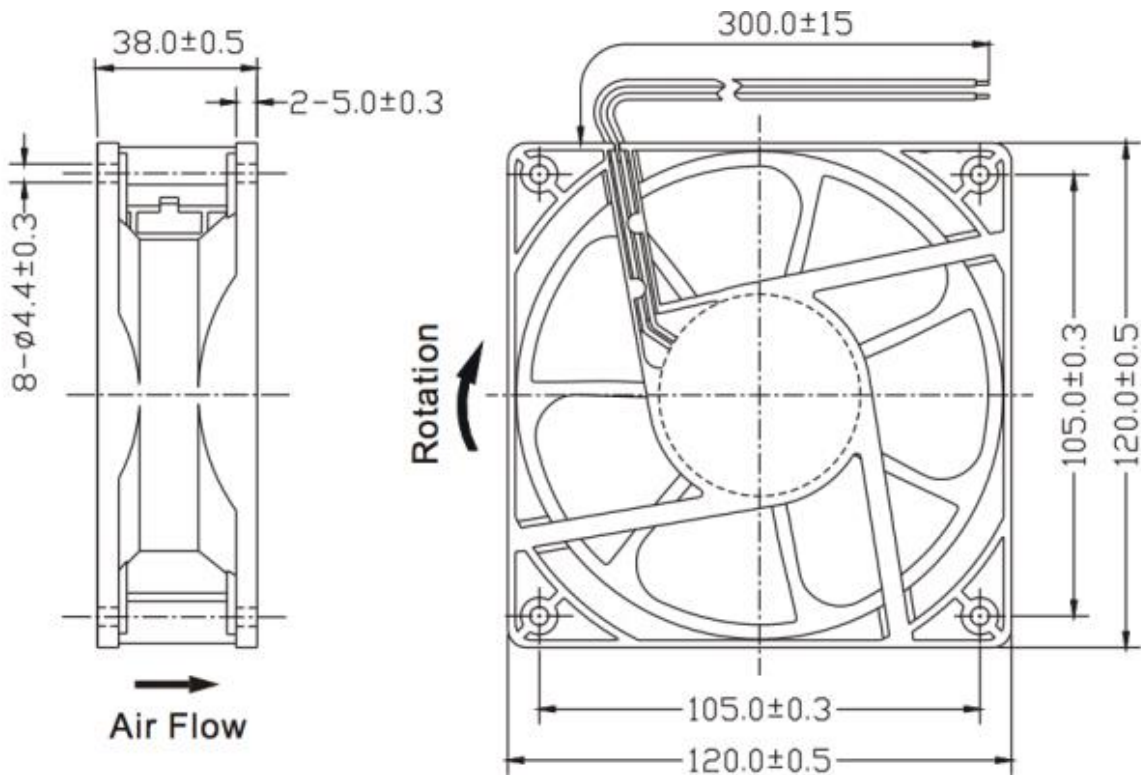


| RS Order Number      | 5418361     | 5415132     | 5415126     | 5415407     | 5415384     | 5415378     |
|----------------------|-------------|-------------|-------------|-------------|-------------|-------------|
| Model Number         | OD1238-12HB | OD1238-12MB | OD1238-12LB | OD1238-24HB | OD1238-24MB | OD1238-24LB |
| Nominal Voltage      | 6~14 VDC    | 6~14 VDC    | 6~14 VDC    | 12~28 VDC   | 12~28 VDC   | 12~28 VDC   |
| Volts                | 12 DC       | 12 DC       | 12 DC       | 24 DC       | 24 DC       | 24 DC       |
| Nominal Current      | 0.60 A      | 0.40 A      | 0.25 A      | 0.40 A      | 0.30 A      | 0.20 A      |
| Rated Speed (RPM)    | 3000        | 2400        | 2000        | 3000        | 2400        | 2000        |
| Airflow (CFM)        | 127         | 101         | 84          | 127         | 101         | 84          |
| Noise Level (dB)     | 47          | 41          | 37          | 47          | 41          | 37          |
| Max. Static Pressure | 0.31" H2O   | 0.21" H2O   | 0.15" H2O   | 0.31" H2O   | 0.21" H2O   | 0.15" H2O   |

**Professionally approved products.**

## Datasheet

Drawing(mm):



### Specifications:

|                        |   |
|------------------------|---|
| Frame & Impeller:      | PBT, UL94V-O plastic                            |
| Connection:            | 2x Lead wires 24AWG                             |
| Motor:                 | Brushless DC, auto restart, polarity protected  |
| Bearing System:        | Dual ball bearing                               |
| Insulation Resistance: | 10M ohm between lead wire and frame (500VDC)    |
| Dielectric Strength:   | 1 second at 500 VAC, max leakage – 500 MicroAmp |
| Operating Temp:        | -20°C ~ 75°C                                    |
| Life Expectancy:       | 65,000 hours (45C)                              |